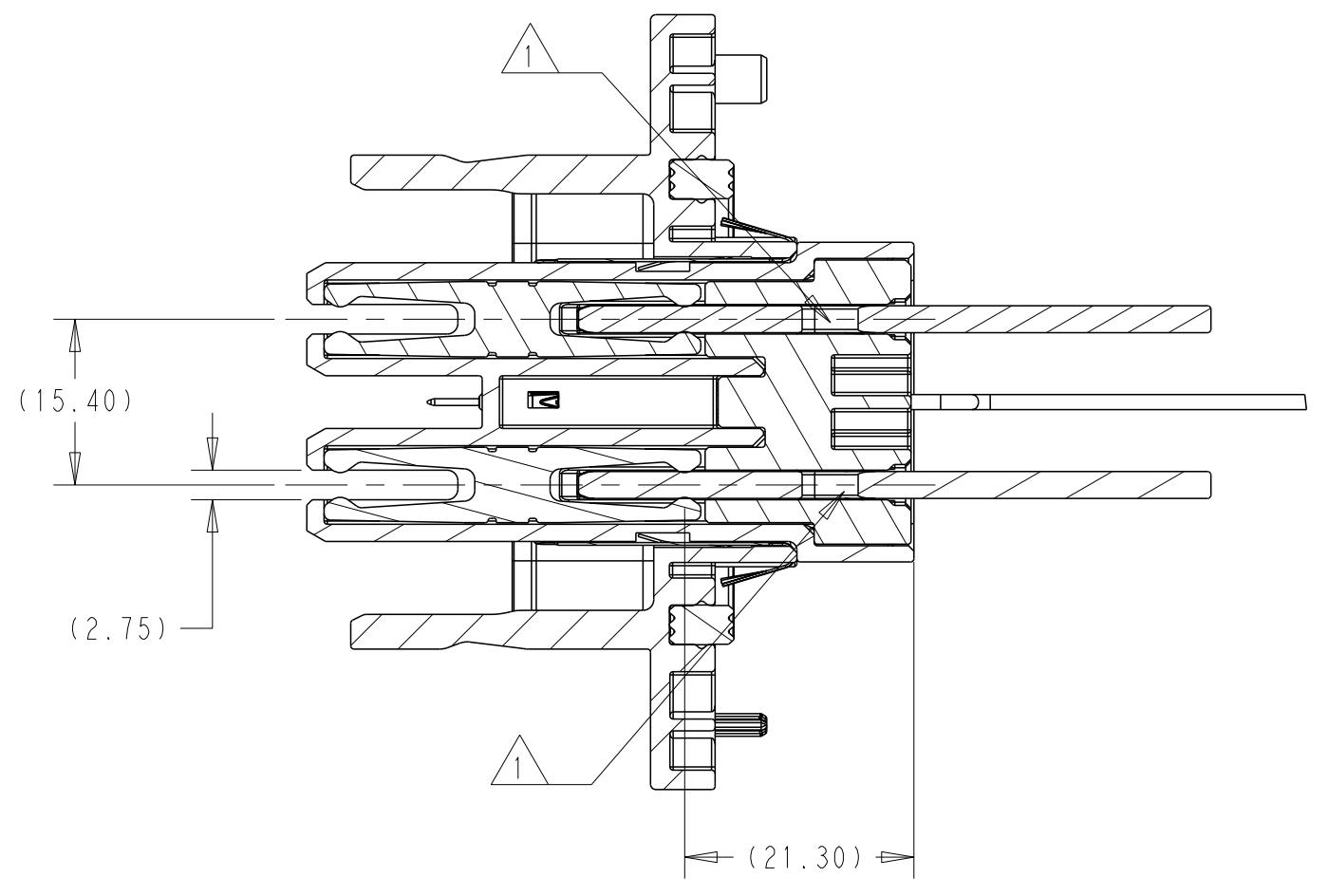
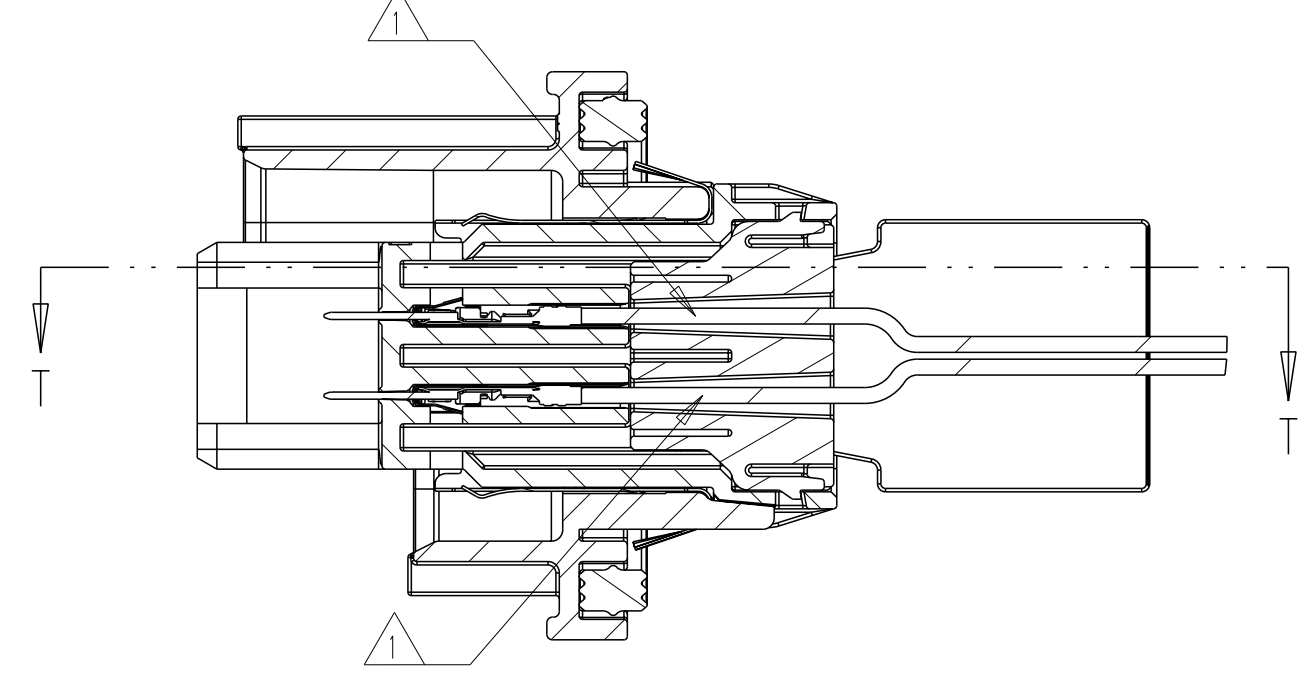


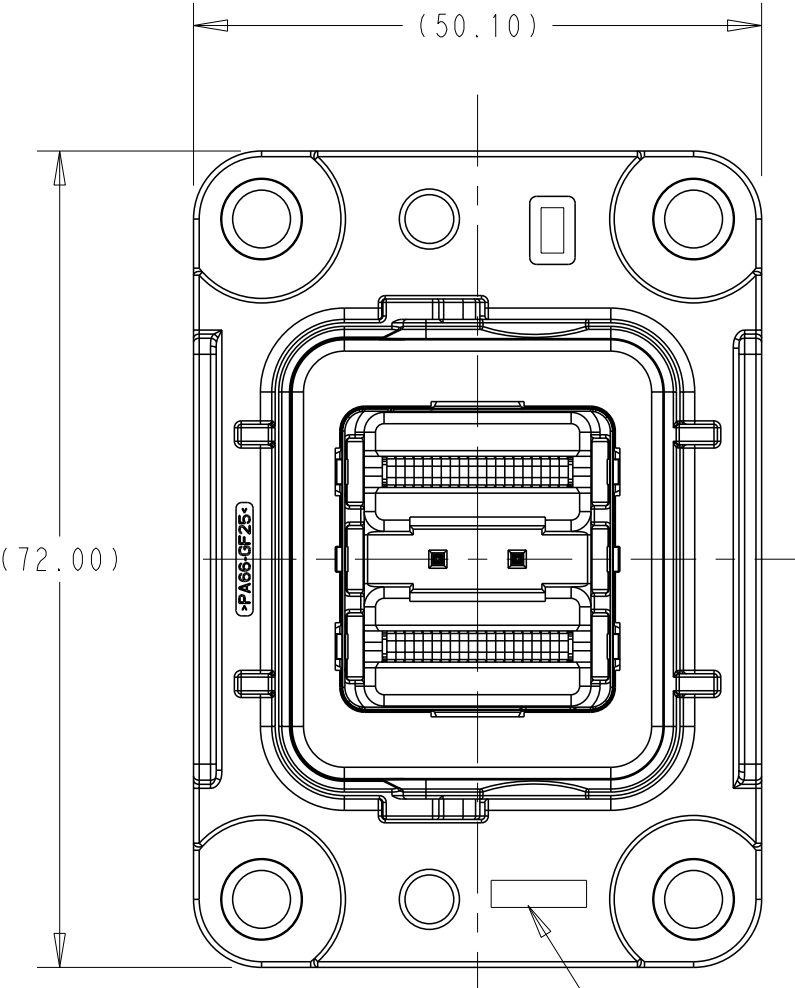
REVISIONS				
P	LY#	DESCRIPTION	DATE	OWN APVD
A		INITIAL RELEASE	26AUG2020	GTG PK



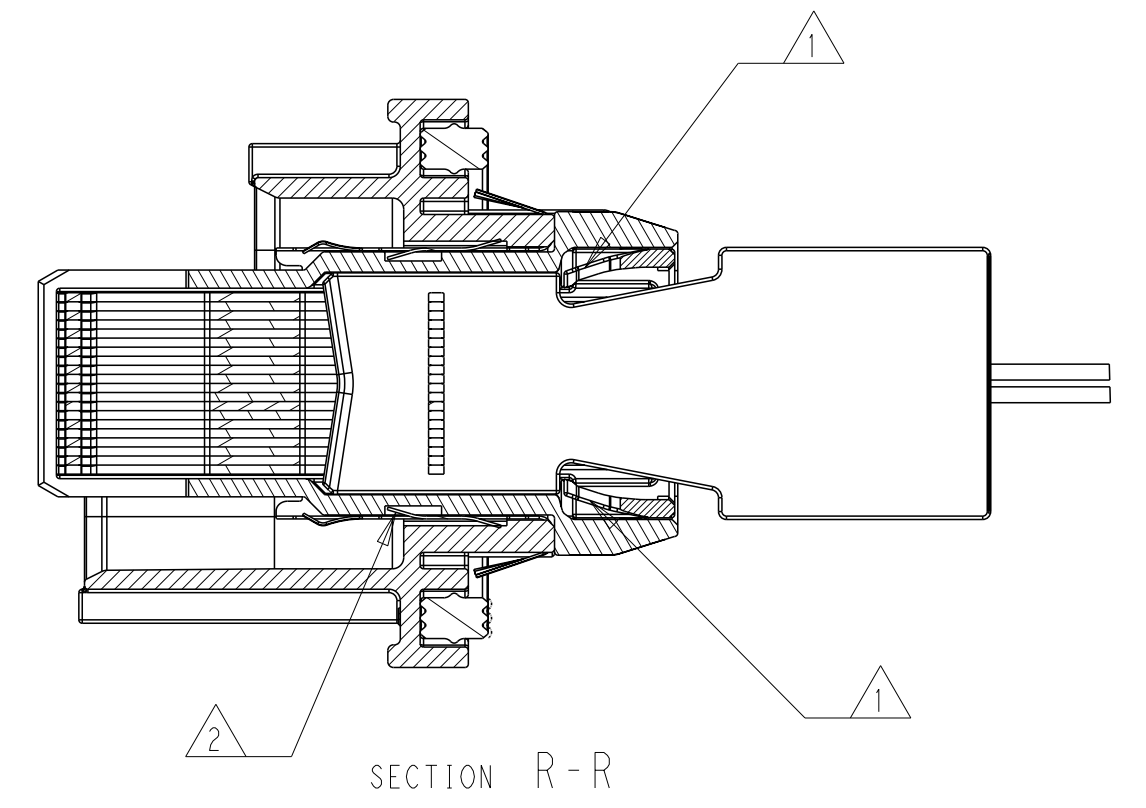
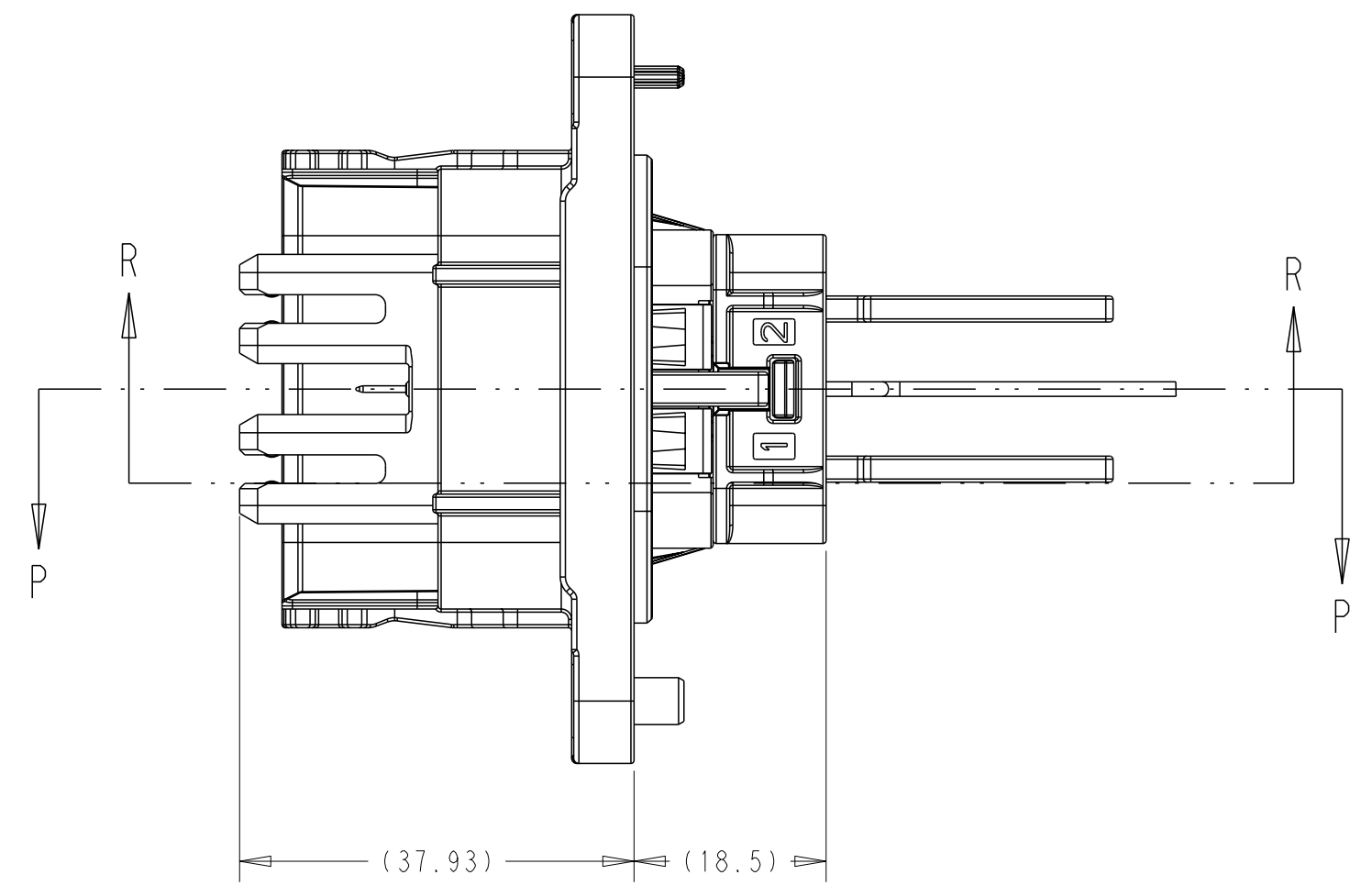
SECTION T-T



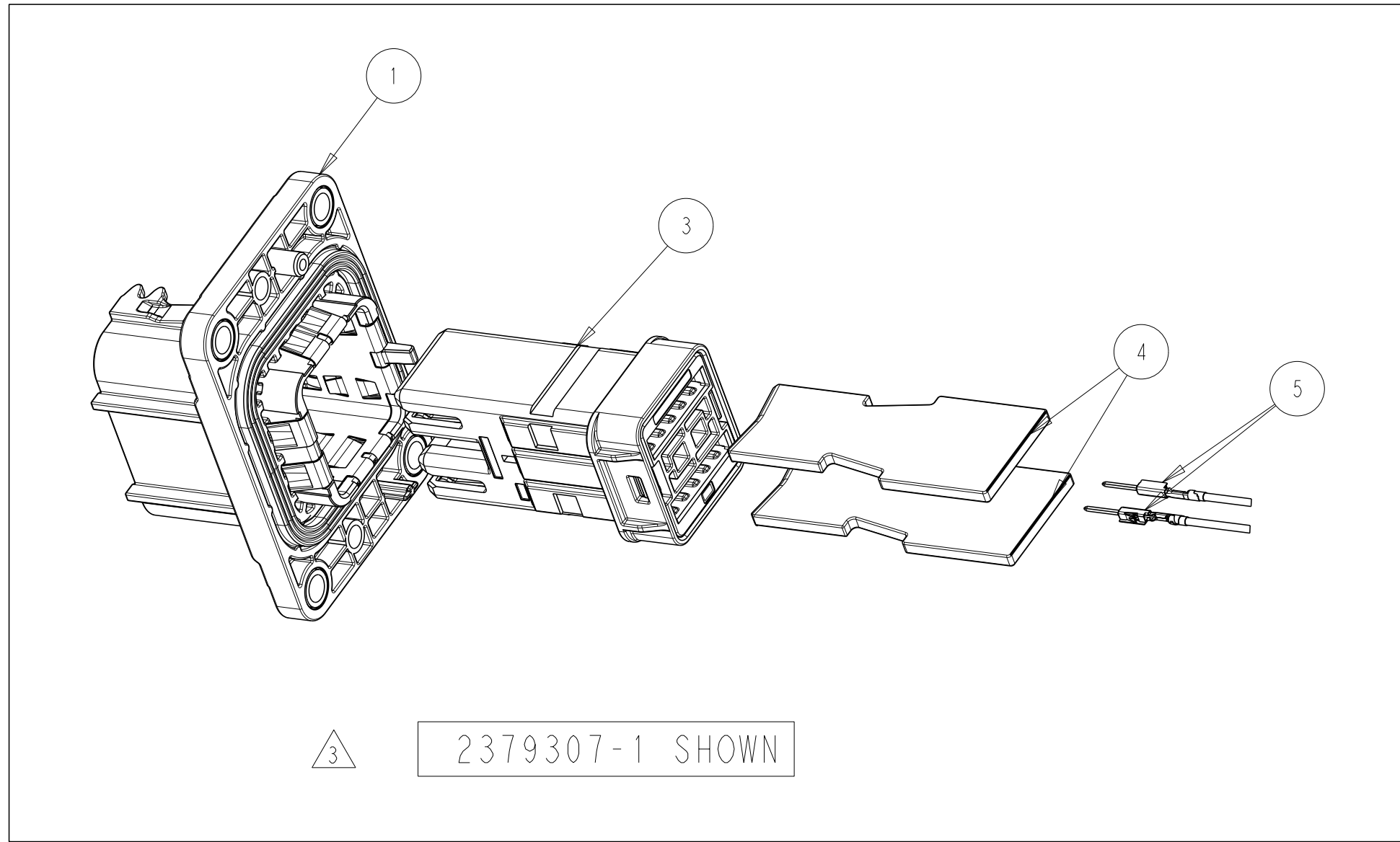
SECTION P-P



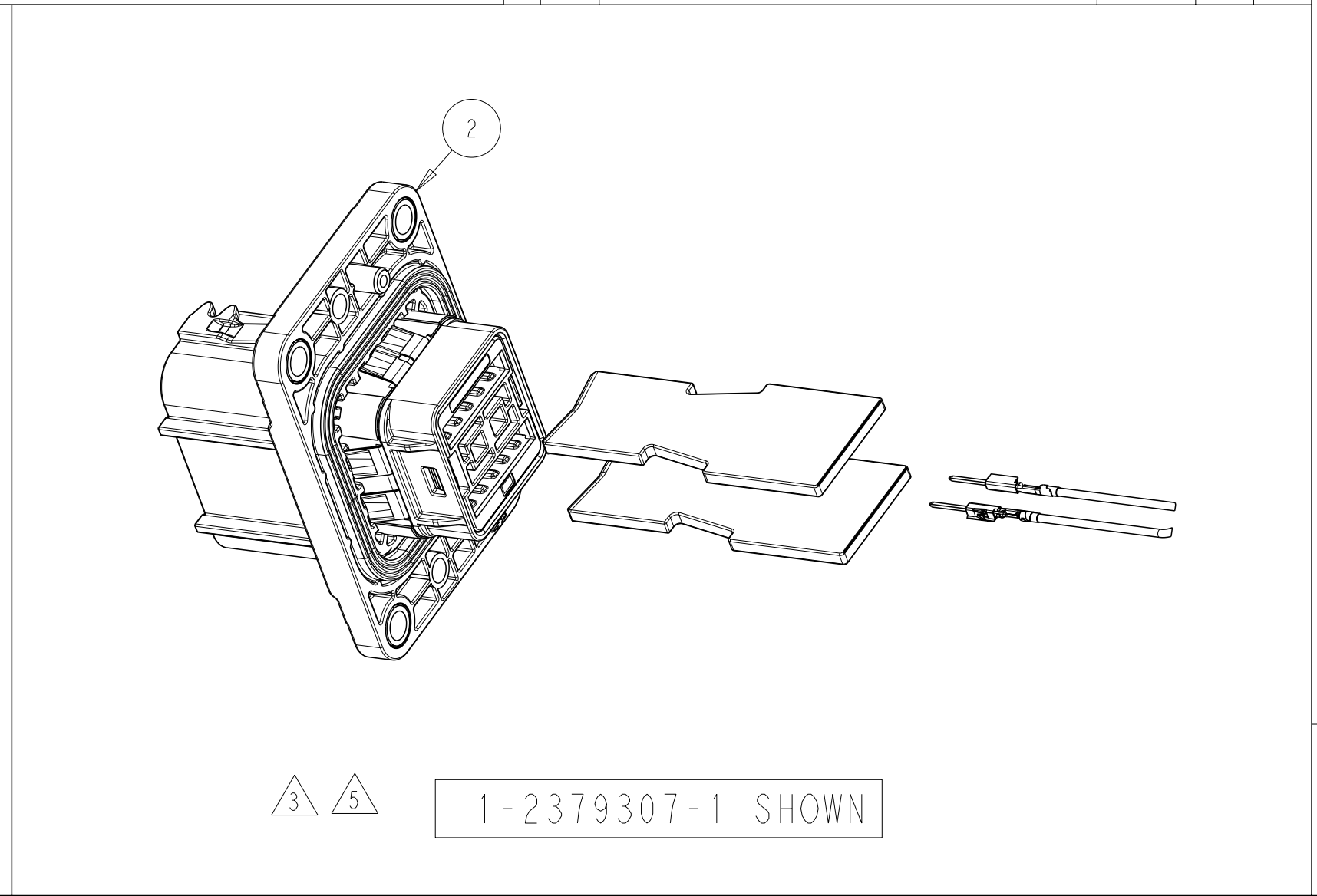
SCALE 3:2



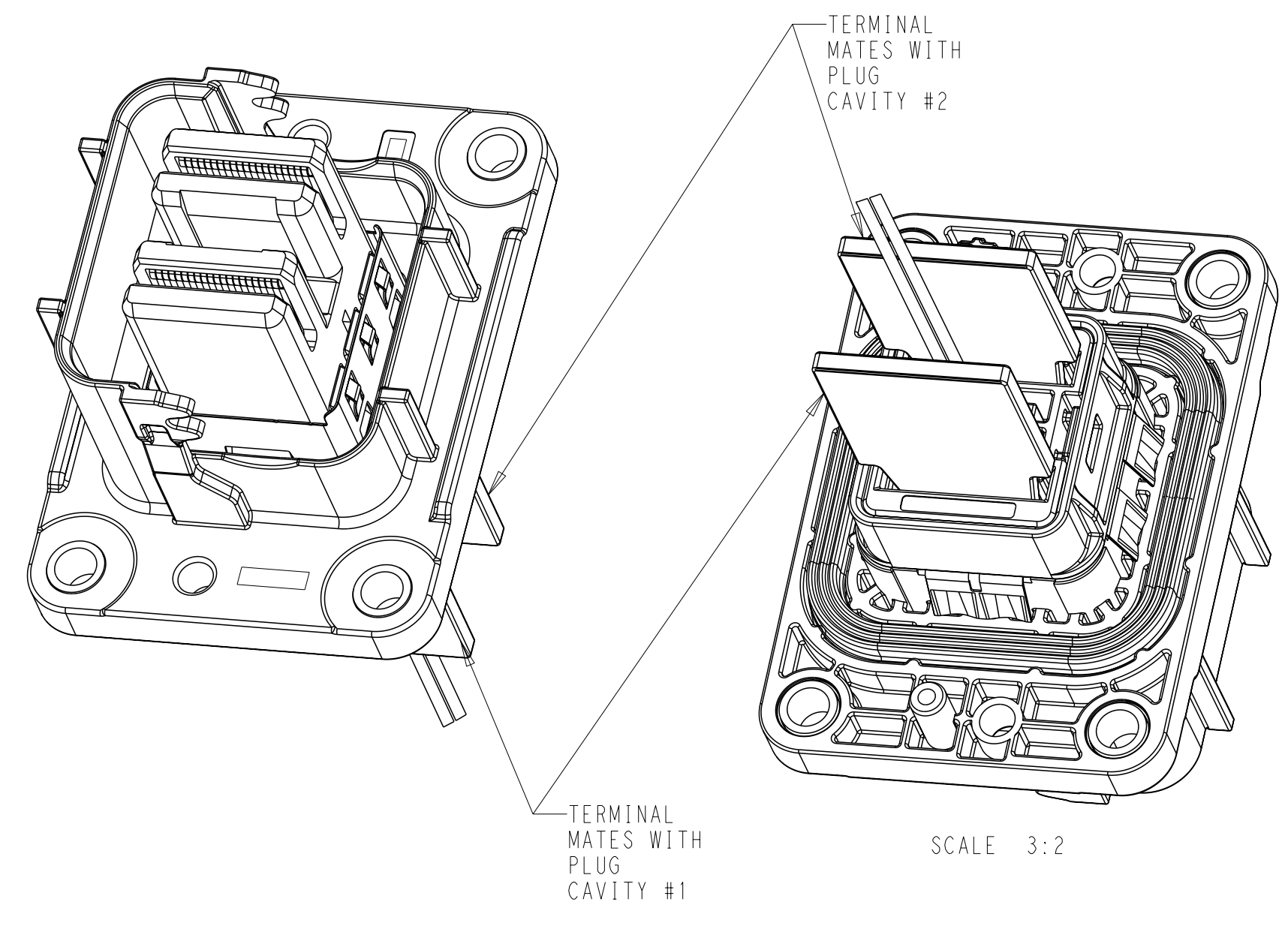
SECTION R-R



2379307-1 SHOWN



1-2379307-1 SHOWN



SCALE 3:2

- 1 ALL TERMINALS MUST BE FULLY SEATED AND LOCKED IN POSITION.
- 2 SHIELD LOCKED TO INNER HOUSING 6 PLACES.
- 3 THESE CONFIGURATIONS ARE NOT AVAILABLE FULLY ASSEMBLED AS SHOWN. SEE INSTRUCTION MANUAL 408-160030 FOR DETAILS. INDIVIDUAL COMPONENTS OR SUB-ASSEMBLIES LISTED IN THE PARTS LIST ARE AVAILABLE SEPARATELY FROM TE. CONSULT INDIVIDUAL CUSTOMER DRAWING FOR PART RELEASE STATUS.
- 4 PART NUMBER AND JULIAN DATE CODE LASER MARKED IN THIS AREA
- 5 THIS CONFIGURATION HAS THE INNER HEADER SUB-ASSEMBLY PRE-ASSEMBLED TO THE HEADER SUB-ASSEMBLY.

QTY	REQ PER ASSY	KEY	U/M	PART NO	DESCRIPTION	ITEM NO	
2	2		PC	5-963716-3	MQS TERMINAL	5	
2	2		PC	2360888-1	TAB TERMINAL	4	
-	-		PC	2359563-1	INNER HEADER SUB-ASSY	3	
1	-		PC	2380367-2	HEADER ASSY, 4-BOLT	2	
-	1		PC	2380367-1			
-	-		PC	3-2343034-2	HEADER SUB-ASSY, 4-BOLT	1	
-	-		PC	3-2343034-1			
1-2379307-2	1-2379307-1	2379307-2	2379307-1	U/M	PART NO	DESCRIPTION	ITEM NO
KEY-B	KEY-A	KEY-B	KEY-A				
CONFIGURATION						PART LIST	

THIS DRAWING IS A CONTROLLED DOCUMENT.

OWN: GIRISH IG 26AUG2020  
 CHK: P. KOLHATKAR 27AUG2020  
 APVD: D. RHEIN 27AUG2020

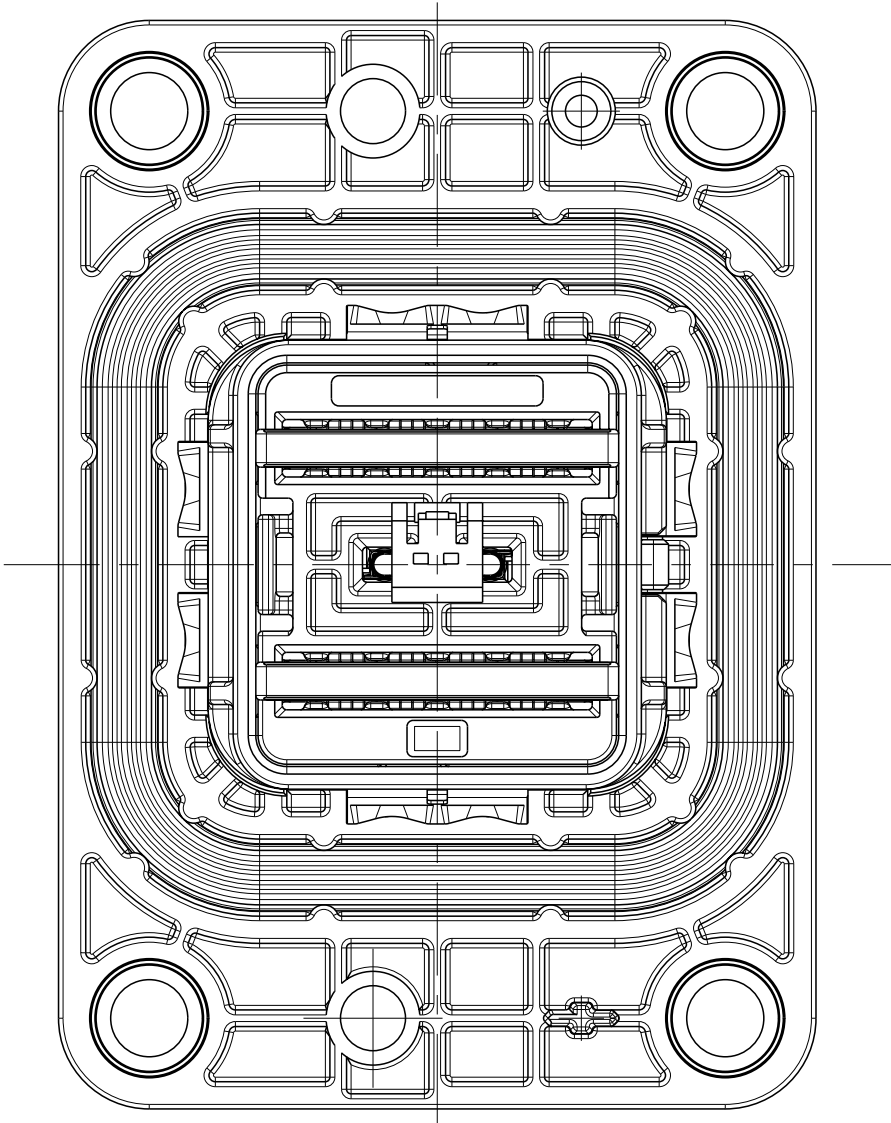
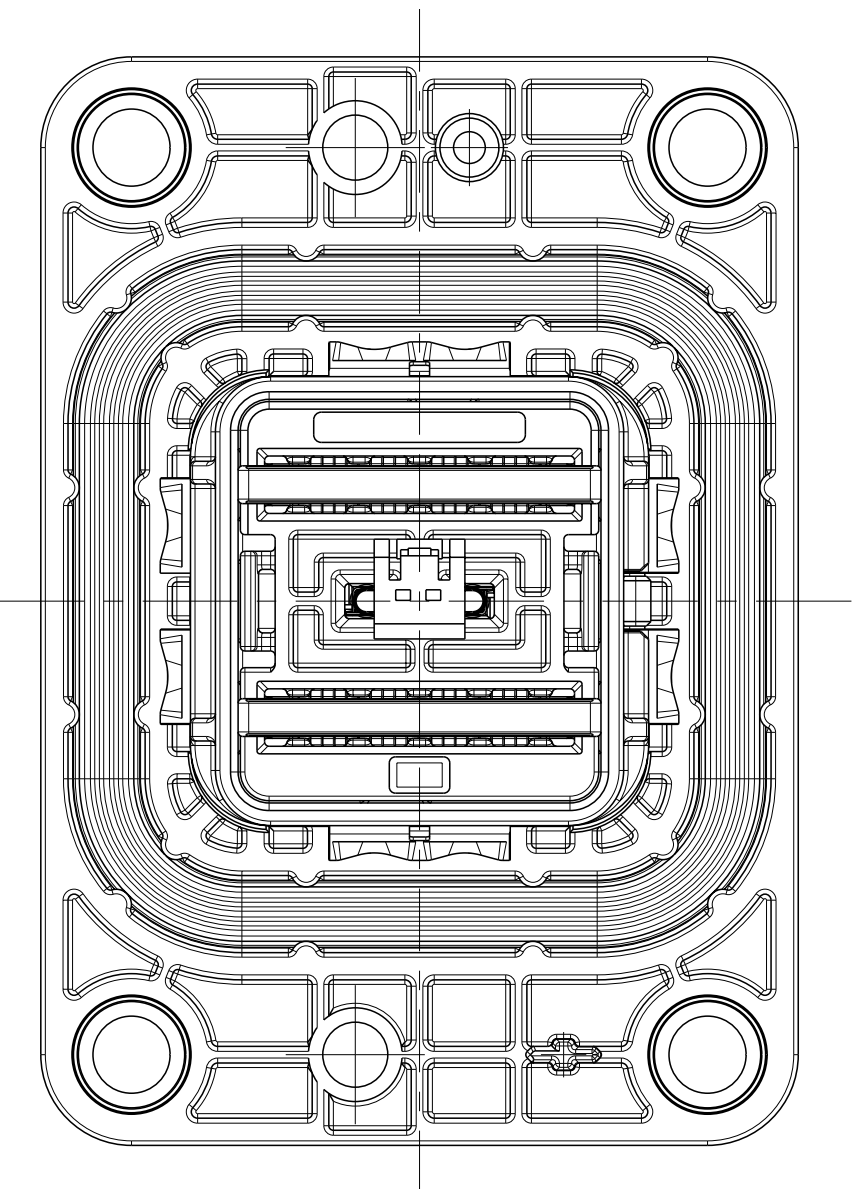
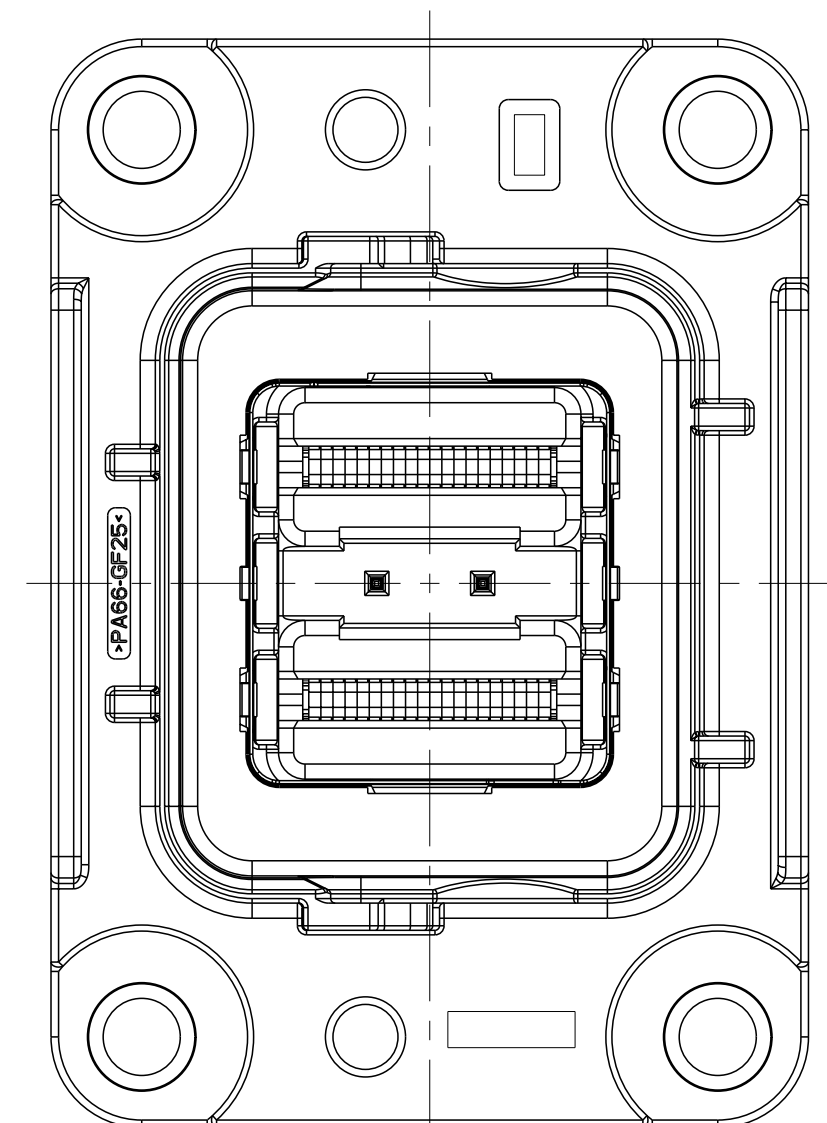
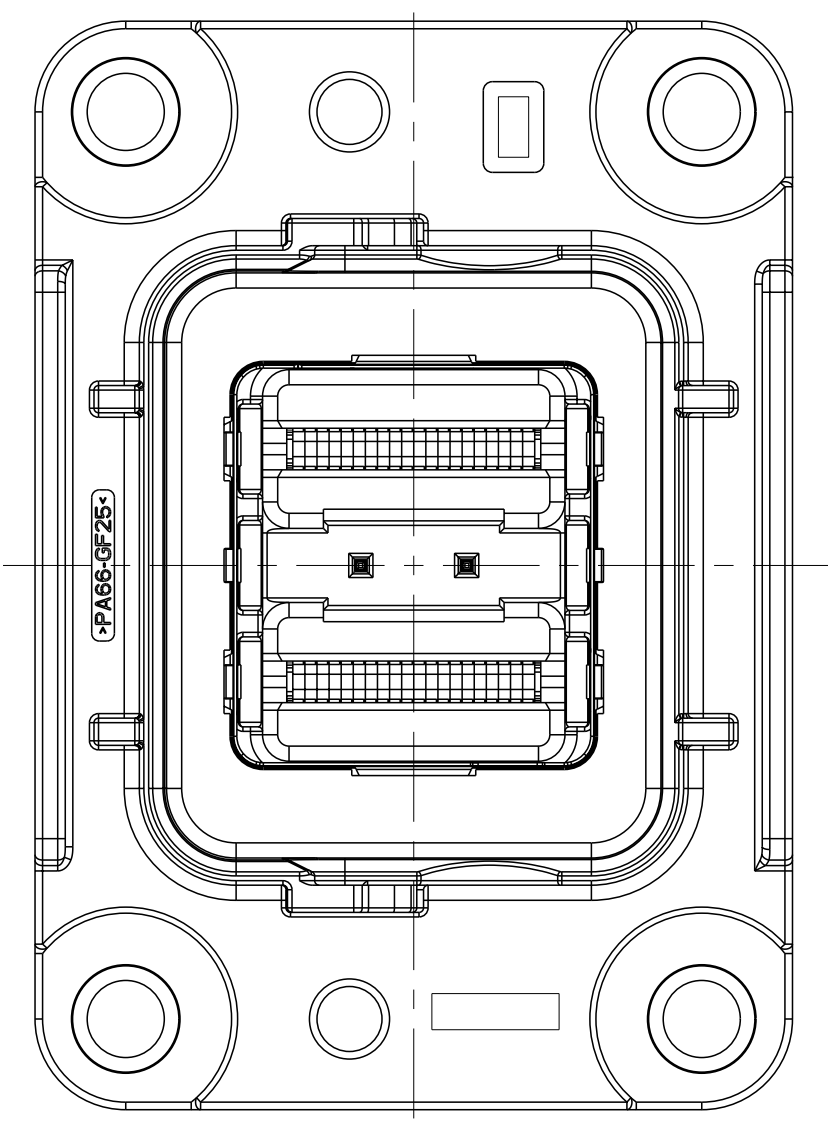
TE Connectivity

NAME: HDR OUTER HSG ASSY  
 2POS, HC-STAK 25  
 REFERENCE DRAWING

SIZE: A | CAGE CODE: 00779 | DRAWING NO: 2379307

SCALE: 1:1 | SHEET: 1 OF 2 | REV: A

REVISIONS				
P	LY#	DESCRIPTION	DATE	APVD
-		SEE SHEET 1	-	-



2379307-1  
1-2379307-1  
KEY-A

2379307-2  
1-2379307-2  
KEY-B

THIS DRAWING IS A CONTROLLED DOCUMENT.		OWN: GIRISH IG 26AUG2020	
		CHK: P. KOLHATKAR 27AUG2020	
		APVD: D. RHEIN 27AUG2020	NAME: HDR OUTER HSG ASSY
			PRODUCT SPEC: 2POS, HC-STAK 25
			APPLICATION SPEC: REFERENCE DRAWING
			SIZE: A   CAGE CODE: 00779   DRAWING NO: 2379307
			RESTRICTED TO: -
			SCALE: 2:1   SHEET: 2 OF 2   REV: A
			CUSTOMER DRAWING