



SOLUTIONS FOR ELECTRIFIED RAILWAYS

Current Articulated Connection Dropper

EVERY CONNECTION COUNTS



SIMEL ARTICULATED CONNECTION DROPPER



SIMEL articulated connection dropper

SIMEL connection dropper was used when TGV Est beat rail speed record (574.8 km/h) on April 4 2007.

ARTICULATED CONNECTION DROPPER: HISTORY

- Developed by TE Connectivity in collaboration with the French national rail utility in order to design a dropper able to:
 - distribute the current on high speed line
 - support the catenaries wires on high speed line
- The French national rail utility approved:
 - Tensile test (6 kN)
 - Mechanical resistance under traction (2 millions cycles)
 - Mechanical oscillation test (5 millions cycles)
 - Electrical ageing tes



ARTICULATED CONNECTION DROPPER: HISTORY

- Already installed:
 - France for Mediterranean High Speed line (70,000 units)
 - Belgium for LGV2 line (28,000 units)
 - UK for CTRL Section 1 (3,000 units)
 - Greece for Olympic Games 2004 (5,000 units)
 - France for the East LGV line (120,000 units)
 - France for Rhin-Rhone LGV line (60,000 units)
- On going projects:
 - France for the East LGV Extension line (35 000 units)
 - France for the East LGV SEA line (120 000 units)



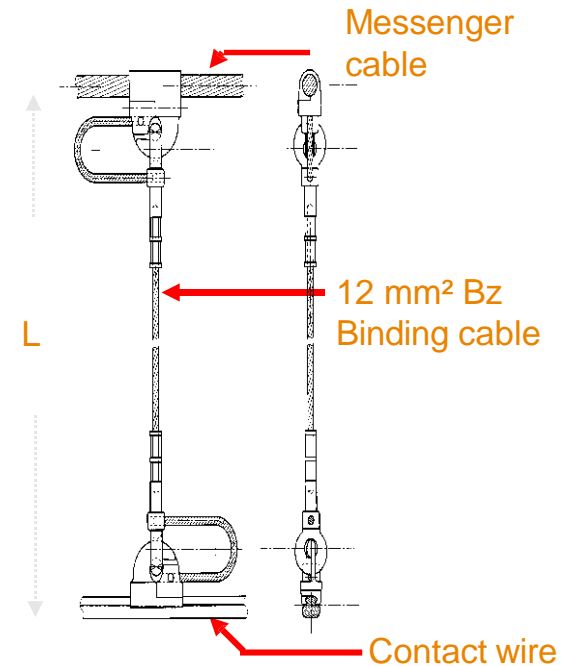
Conductive dropper

ARTICULATED CONNECTION DROPPER: FEATURES

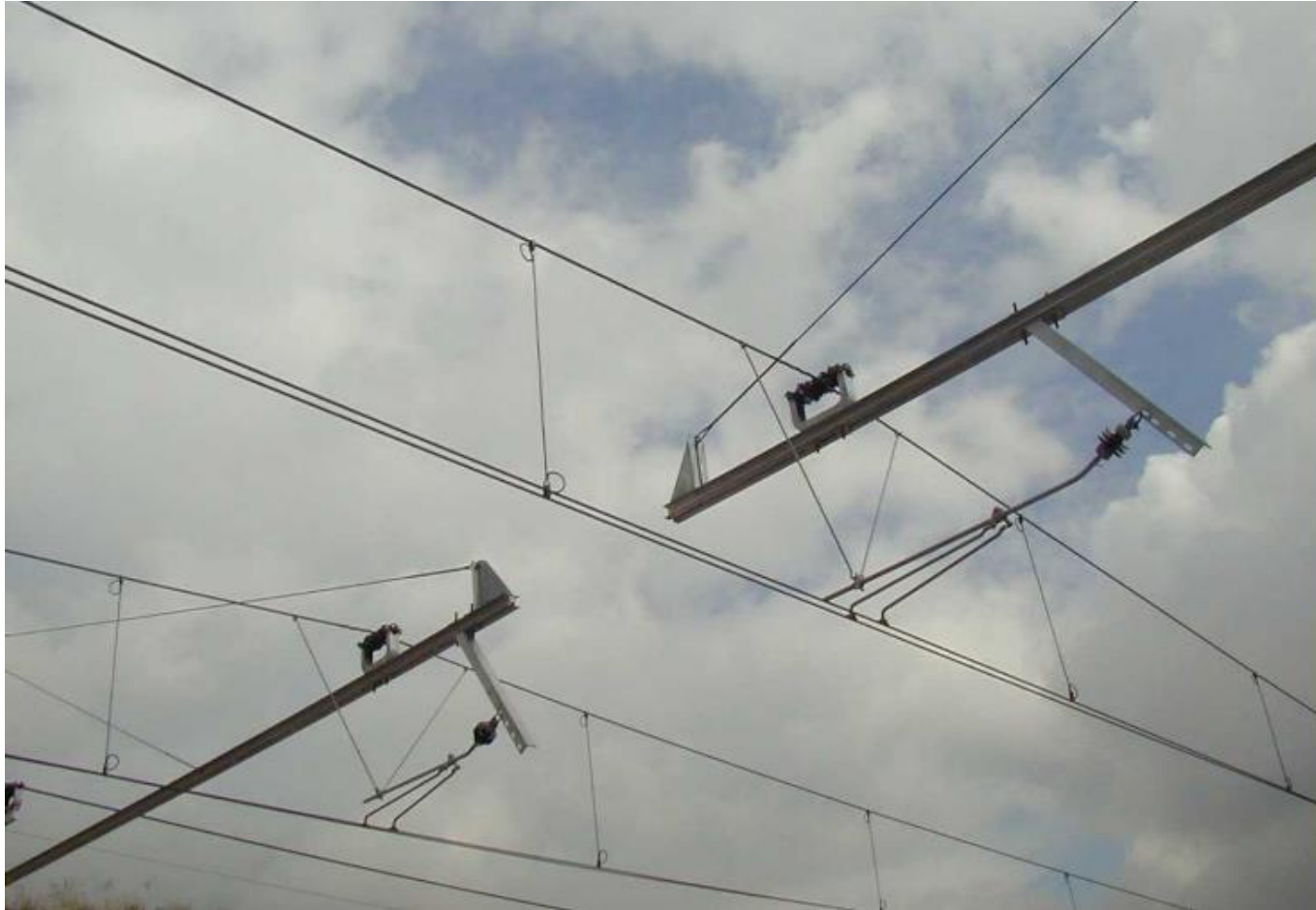
- Distributes the current along the contact wire for 25 kV high speed line
- Raw material: Cupro-Aluminium (CuAl10Fe2)
- Articulated at upper and lower part
- Dismountable on both side for messenger and contact wire
- Mechanical and electrical function provided altogether
- Can be fitted on:
 - Contact wire: 107/120/150 mm² acc to EN 50 149 type B
 - Messenger: 65.4/116.2 mm²

ARTICULATED CONNECTION DROPPER: FEATURES

- Cross section of binding cable: 12 mm² Bz
- Possibility to cut to define lengths L in workshop according to installation order
- Special automatic manufacturing process for intensive production
 - 100% traction tested
 - 100% lengths checked



SIMEL ARTICULATED CONNECTION DROPPER



EVERY CONNECTION COUNTS

www.te.com