

# Mini SAS HD Interconnects



© 2012 by Tyco Electronics Corporation. All Right Reserved.  
MADISON CABLE, TurboTwin, TE Connectivity and the TE connectivity (logo)  
are trademarks.  
Other logos, product and/or company names might be trademarks of their  
respective owners.

EEPROM is a trademark of NEC Electronics Corporation.



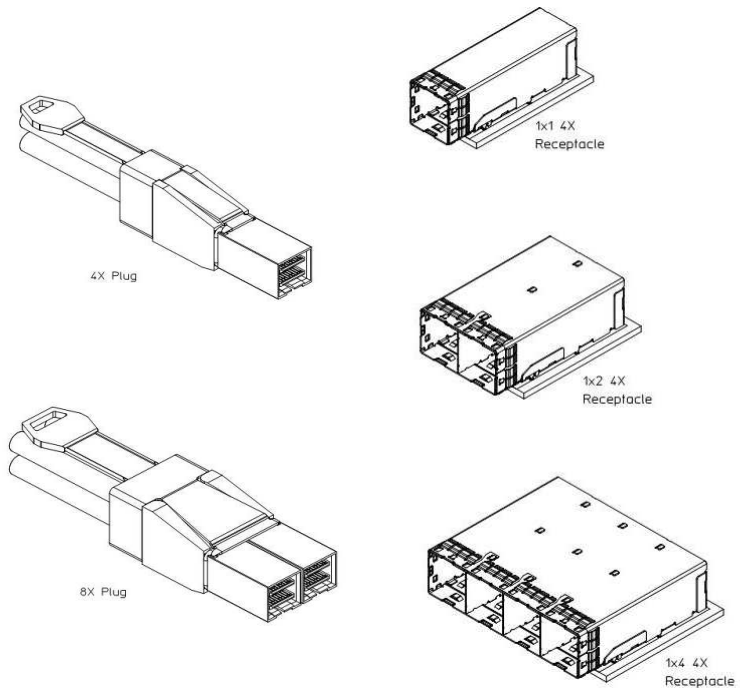
# Mini SAS HD Interconnect Specifications/Applications

- Next generation External SAS (Serial Attached SCSI) input/output interconnect product family
  - compliant with SAS 2.1 (6Gbps per lane) industry standard
  - compatible with SAS 3.0 (12Gbps per lane) proposal
  - meets mechanical requirements of SFF-8644 (Mini Multilane 12 Gbps 8/4X Shielded Connector)
- Data Communication Applications
  - Enterprise storage
  - High-performance computing
  - Networking
  - Data centers



# Mini SAS HD Interconnect Pluggable Solutions

- Standard host board connector & cage assembly
- Scalable interface: 1x1, 1x2, 1x4
- Plug options:
  - Direct attach passive copper cable assembly with option for active
  - Direct attach active optical cable assy
  - Optical transceiver



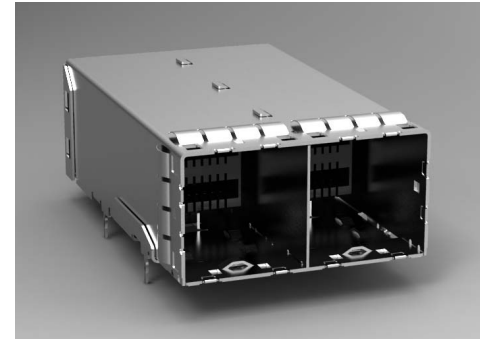
# Mini SAS HD Interconnect

## Product Features & Benefits

- Reduced size of interconnect system increases linear board density
- Board connector compliant with released SAS 2.1 and proposed SAS 3.0 standards
  - SAS 2.1 product scalable up to 16 lanes at 6Gbps for 96G aggregate solution
  - SAS 3.0 product scalable up to 16 lanes at 12Gbps for 192G aggregate solution
- Multi-port functionality offers design flexibility
- Integrated connector and cage design
- 4x and 8x cable plug options
- Keying for proper plug orientation

# Host Board Connector/Cage Assembly Features and part number chart

- Pre-assembled (one-piece) connector/cage assembly
- Press-fit termination, cage is screw mounted for additional retention
- EMI gasketing at bezel opening
- Light pipe & heat sink optional



Cage style	TE Part No.
Single port (4X)	2149027-1
2-ports (8X)	2149966-1
4-ports (16X)	2149375-1
Single with LP	2198484-1
2-ports with LP	2198483-1
4-ports with LP	2180736-1

# Mini SAS HD Interconnect Cable plug features

- Scalable 4x and 8x cable plug options
- Hybrid cables for backward compatibility with legacy systems
- Improved latch design for reduced insertion force and increased retention
- Enhanced EMI skirt design eliminates elastomeric gasket
- 26, 28 and 30 AWG TurboTwin bulk cable
- Full EEPROM memory map compliance



# Mini SAS HD Interconnect Cable Assembly Part Numbers

Base P/N	Description	AWG	Min Length	Max Length
2202501-1 thru -8	4X to 4X Passive Mini SAS HD	26	0.5m	7.0m
2202502-1 thru -6	4X to 4X Passive Mini SAS HD	28	0.5m	5.0m
2202503-1 thru -4	4X to 4X Passive Mini SAS HD	30	0.5m	3.0m
2202504-1 thru -8	8X to 8X Passive Mini SAS HD	26	0.5m	7.0m
2202505-1 thru -6	8X to 8X Passive Mini SAS HD	28	0.5m	5.0m
2202506-1 thru -4	8X to 8X Passive Mini SAS HD	30	0.5m	3.0m
2202507-1 thru -8	4X HD to Standard Mini SAS	26	0.5m	7.0m
2202508-1 thru -6	4X HD to Standard Mini SAS	28	0.5m	5.0m
2202509-1 thru -4	4X HD to Standard Mini SAS	30	0.5m	3.0m