

EUROCARD CONNECTORS PER DIN 41612 AND IEC 60603-2

QUICK REFERENCE GUIDE

TE Connectivity's (TE) Eurocard two piece connectors offer a reliable, cost effective solution enabling communication across protocols in industrial automation and data applications. By meeting DIN 41612 and IEC 60603-2 specifications, our Eurocard connectors are proven to provide reliable signal integrity (SI) and electrical performance in demanding applications. With a broad portfolio, it is easy to find the right connector type and style to fit your application. Common Bus Systems include STE Bus, CIMBUS, FUTUREBUS, VMEBus, MULTIBUS (II), NUBUS, VXI Bus and VME 64X.

The Eurocard line is available in board-to-board, wire-to-board, ribbon cable-to-board and high current connectors.

APPLICATIONS

- Data centers
- Storage
- Servers
- Base stations
- Telecommunications equipment
- Backplane and motherboard assemblies
- Switching systems
- Modular rack systems
- Power automation
- Distributed control systems in industrial control
- Programmable logic controllers (PLC)
- Robotics
- Test and lab equipment
- Energy distribution
- Monitoring equipment

PRODUCT SPECIFICATIONS

- **DIN 41612:** Two-Part Connectors for Printed Circuit Boards
- **IEC 60603-2:** Connectors for Frequencies below 3 MHz for Printed Circuit Boards

KEY FEATURES

- Meets DIN 41612 and IEC 60603-2
- Two-piece reliability
- Polarized housings
- Flame retardant
- Types B, C, D, F, M, Q and R
- Standard DIN sizes as well as half, third, and expanded sizes
- Various solder post lengths and ACTION PIN and eye-of-needle contact tails
- Selective contact loading

STANDARD BUSES

- **CIMBUS:** Type B, 64 Position
- **FUTUREBUS:** Type C, 96 Position
- **MULTIBUS (II):** Type C, 96 Position
- **NUBUS:** Type C, 96 Position
- **STE Bus:** Type B, 64 Position
- **VME 64X:** Type C, 96 Position
- **VMEbus:** Type C, 96 Position
- **VXI Bus:** Type C, 96 Position

APPLICATION SPECIFICATIONS

- **114-9014:** Eurocard Connector Types B, C, M and R (Board-to-Board Application)
- **114-19004:** Eurocard Connector, Type F Receptacle
- **114-12026:** Type M Coax Contacts
- **114-10014:** Size VIII Power Contacts

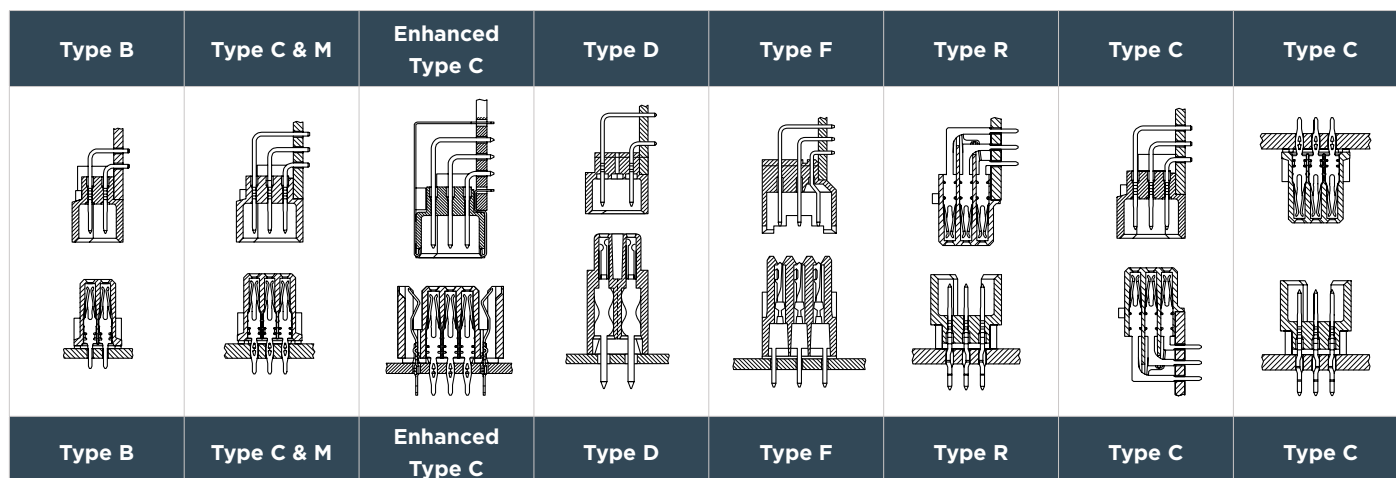
DIN 41612 PERFORMANCE LEVELS

Industry	Military	Commercial / Industrial	Rarely Mate / Unmate
Level	Level 1	Level 2	Level 3
Test Batch P			
Dimensional Check	Yes	Yes	Yes
Contact Resistance	20 milliohms	20 milliohms	—
Insulation Resistance	1 E 12 ohms	1 E 12 ohms	1 E 11 ohms
Dielectric Strength	1000 V	1000 V	1000 V
Test Batch AP			
Withdrawal Force (Single Pin)	0.15 N (.54 oz) Min.	0.15 N (.54 oz) Min.	0.15 N (.54 oz) Min.
Mating / Unmating Force (96 pos)	90.7 N (20.4 lb) Max.	90.7 N (20.4 lb) Max.	90.7 N (20.4 lb) Max.
Solderability	Yes	Yes	Yes
Dielectric Strength	1000 V	1000 V	—
Vibration	10-2000 Hz, 20G	10-500 Hz, 6G	—
Shock	490 m/s ² (50G)	—	—
Acceleration	980 m/s ²	—	—
Rapid Temperature Change	-55°C, +125°C	-55°C, +125°C	—
Insulation Resistance	1 E 12 ohms	1 E 12 ohms	—
Dielectric Strength	1000 V	1000 V	—
Visual Examination	Yes	Yes	Yes
Climatic Sequence	5 cycles	5 cycles	—
Dry Heat	+125 °C, 16 hours	+125 °C, 16 hours	+125 °C, 16 hours
Insulation Resistance During Dry Heat	1 E 11 ohms	1 E 11 ohms	1 E 10 ohms
Humid Heat	+55°C	+40°C	—
Cold	-55°C	-55°C	-55°C
Partial Vacuum	300 Mbar	300 Mbar	—
Dielectric Strength	300 V	300 V	—
Humid Heat	+55°C	+40°C	—
Insulation Resistance	1 E 10 ohms	1 E 10 ohms	1 E 9 ohms
Contact Resistance	20 milliohms	20 milliohms	20 milliohms
Dielectric Strength	1000 V	1000 V	—
Mating and Unmating	90.7 N (20.4 lb)	90.7 N (20.4 lb)	90.7 N (20.4 lb)
Visual Examination	Yes	Yes	Yes

DIN 41612 PERFORMANCE LEVELS

Industry	Military	Commercial / Industrial	Rarely Mate / Unmate
Level	Level 1	Level 2	Level 3
Test Batch BP			
Withdrawal Force	0.15 N (.54 oz)	0.15 N (.54 oz)	0.15 N (.54 oz)
Durability	250 cycles	200 cycles	50 cycles
Industrial Atmosphere	21 days SO2	4 days SO2	—
Contact Resistance	20 milliohms	20 milliohms	—
Durability	250 cycles	200 cycles	—
Insulation Resistance	1 E 12 ohms	1 E 12 ohms	—
Dielectric Strength	1000 V	1000 V	—
Withdrawal Force	0.15 N (.54 oz)	0.15 N (.54 oz)	0.15 N (.54 oz)
Visual Examination	Yes	Yes	Yes
Static Axial Force	90 N (20.25 lb)	—	—
Test Batch CP			
Humid Heat	56 days	56 days	—
Insulation Resistance	1 E 10 ohms	1 E 10 ohms	—
Contact Resistance	20 milliohms	20 milliohms	—
Dielectric Strength	1000 V	1000 V	—
Visual Examination	Yes	Yes	—
Test Batch DP			
Durability	250 cycles	200 cycles	—
Electric Load at High Temperature	1 ampere at 70°C	1 ampere at 70°C	—
Contact Resistance	20 milliohms	20 milliohms	—
Dielectric Strength	1000 V	1000 V	—
Discharge Voltage	1000 V	1000 V	—
Visual Examination	Yes	Yes	—
Test Batch EP			
Mechanical Strength of Terminals	20 N (4.5 lb)	20 N (4.5 lb)	20 N (4.5 lb)
Contact Mount in Use	10 N (2.25 lb)	10 N (2.25 lb)	10 N (2.25 lb)
Growth of Mold	Yes	—	—
Visual Examination	Yes	—	—
Combustibility	10 sec burning	—	—

STANDARD CONFIGURATION TYPES



EUROCARD CONNECTOR PART NUMBER TABLE

Positions	Rows Loaded	DIN Level	DIN Size	Termination	Part Number
TYPE B					
Plug, Right Angle					
20	A, B	II	Standard	Solder	5-1393644-6
20	A, B	II	Third	Press-In	384278-E
20	A, B	II	Third	Solder	384275-E
32	A, B	II	Half	Solder	384265-E
32	A, B	II	Half	Solder	5148103-1
32	A, B	II	Half	Solder	536386-5
32	A, B	II	Half	Solder	5536386-5
32	A, B	II	Half	Solder	5536053-5
32	A, B	II	Half	Solder	536053-5
64	A, B	II	Standard	Solder	384241-E
64	A, B	II	Standard	Solder	384583-E
64	A, B	II	Standard	Solder	5148528-1
64	A, B, C	II	Standard	Solder	6-1393644-3
64	A, B, C	II	Standard	Solder	6-1393644-6
64	A, B	II	Standard	Solder	5536385-5
64	A, B	II	Standard	Solder	536385-5
64	A, B	II	Standard	Solder	5536052-5
64	B	II and III	Standard	Solder	536052-5
96	A, B, C	II	Standard	Solder	536405-5

EUROCARD CONNECTOR PART NUMBER TABLE

Positions	Rows Loaded	DIN Level	DIN Size	Termination	Part Number
TYPE B					
Receptacle, Vertical					
20	A, B, C	II	Standard	Solder	7-1393640-2
20	A, B	II	Third	Press-In	234449-E
20	A, B	II	Third	Press-In	284418-E
20	A, B	II	Third	Solder	254370-E
32	A, B	II	Half	Solder	284164-E
32	A, B	II	Half	Solder	5536446-5
32	A, B	II	Half	Solder	5536461-5
32	A, B	II	Half	Solder	5650858-5
32	A, B	II	Half	Solder	5650864-5
32	A, B	II	Half	Press-In	650864-5
32	A, B	II	Half	Solder	1-1393641-1
32	A, B	II	Half	Solder	284168-E
32	A, B	II	Half	Solder	294995-E
64	A, B	II	Standard	Solder	1-1393641-6
64	A, B	II	Standard	Solder	650859-5
64	A, B	II	Standard	Solder	5650859-5
64	A, B	II	Standard	Solder	5650860-5
64	A, B	II	Standard	Solder	5650861-5
64	A, B	II	Standard	Solder	5650865-5
64	A, B	II	Standard	Solder	1-1393641-4
64	A, B	II	Standard	Solder	7-1393640-8
64	A, B	II	Standard	Solder	5650861-4
64	A, B	II	Standard	Solder	650860-5
64	A, B	II	Standard	Solder	650858-5
64	A, B	II	Standard	Solder	650861-4
64	A, B	II	Standard	Press-In	650865-5
64	A, B	II	Standard	Press-In	254846-E
64	A, B	II	Standard	Solder	284166-E
64	A, B	II	Standard	Solder	284880-E
96	A, B, C	II	Standard	Press-In	650992-5

EUROCARD CONNECTOR PART NUMBER TABLE

Positions	Rows Loaded	DIN Level	DIN Size	Termination	Part Number
TYPE C					
Plug, Right Angle					
20	A, C	II	Third	Solder	384226-E
21	A, B, C	II	Half	Solder	464832-E
30	A, B, C	II	Third	Solder	6-1393644-9
30	A, B, C	II	Third	Solder	7-1393644-1
30	A, B, C	II	Third	Solder	254325-E
30	A, B, C	II	Third	Solder	384669-E
32	A, C	II	Half	Solder	374545-E
32	A, C	II	Half	Solder	384210-E
32	A, C	II	Half	Solder	5650978-5
32	A, C	II	Half	Press-In	106276-4
32	A, C	II	Half	Solder	650946-5
32	A, C	II	Half	Solder	650978-5
39/48	A, B, C	II	Half	Solder	5148655-5
41	A, B, C	II	Half	Solder	384202-E
48	A, C	II	Half	Solder	1-5148020-5
48	A, C	II	Half	Solder	5148020-5
48	A, C	II	Half	Solder	5148083-1
48	A, C	II	Half	Solder	5536407-5
48	A, C	II	Half	Solder	5650478-5
48	A, C	II	Half	Solder	5650916-5
48	A, C	II	Half	Solder	5650948-5
48	A, C	II	Half	Solder	7-1393644-4
48	A, C	II	Half	Solder	8-1393644-0
48	A, C	II	Half	Press-In	216398-4
48	A, C	II	Half	Solder	148714-1
48	A, C	II	Half	Solder	148020-5
48	A, C	II	Half	Solder	650478-5
48	A, C	II	Half	Solder	650916-5
48	A, C	II	Half	Solder	650948-5
48	A, B, C	II	Half	Solder	2-1393645-7
48	A, B, C	I	Half	Solder	384576-E
48	A, B, C	II	Half	Solder	254324-E
48	A, B, C	II	Half	Solder	354329-E
48	A, B, C	II	Half	Solder	494135-E
48	A, B, C	II	Half	Solder	384600-E
60-4	A, B, C	I	Standard	Solder	374169-E
64	A, C	I	Standard	Solder	384046-E
64	A, C	II	Standard	Solder	364914-E

EUROCARD CONNECTOR PART NUMBER TABLE

Positions	Rows Loaded	DIN Level	DIN Size	Termination	Part Number
TYPE C					
Plug, Right Angle					
64	A, C	II	Standard	Solder	374587-E
64	A, C	II	Standard	Solder	384617-E
64	A, C	II	Standard	Solder	5536406-5
64	A, C	II	Standard	Solder	536356-5
64	A, C	II	Standard	Solder	5536356-5
64	A, C	II	Standard	Solder	5650945-5
64	A, C	II	Standard	Solder	5650951-5
64	A, C	II	Standard	Solder	650945-5
64	A, C	II	Standard	Solder	650951-5
64	A, C	II	Standard	Solder	9-1393644-4
69	Fully Loaded	II	-	Solder	1392246-4
96	A, B, C	II	Standard	Solder	148116-5
96	A, B, C	II	Standard	Solder	5650473-6
96	A, B, C	II	Standard	Solder	650473-5
96	A, B, C	II	Standard	Solder	650947-5
96	A, B, C	I	Standard	Solder	374543-E
96	A, B, C	II	Standard	Press-In	254835-E
96	A, B, C	II	Standard	Solder	364915-E
96	A, B, C	II	Standard	Solder	374546-E
96	A, B, C	II	Standard	Solder	374585-E
96	A, B, C	II	Standard	Solder	384063-E
96	A, B, C	II	Standard	Solder	484824-E
96	A, B, C	I	Standard	Press-In	215605-1
96	A, B, C	I	Standard	Solder	1-1393644-6
96	A, B, C	II	Standard	Solder	5536405-5
96	A, B, C	II	Standard	Solder	5536437-4
96	A, B, C	II	Standard	Solder	5650913-5
96	A, B, C	II	Standard	Press-In	215605-4
96	A, B, C	II	Standard	Solder	5650473-5
96	A, B, C	II	Standard	Solder	536416-5
96	A, B, C	II	Standard	Solder	5536010-5
96	A, B, C	II	Standard	Solder	5536148-5
96	A, B, C	II	Standard	Solder	5536416-5
96	A, B, C	II	Standard	Solder	5148003-5
96	A, B, C	II	Standard	Solder	5536475-1
96	A, B, C	II	Standard	Solder	5650947-5

EUROCARD CONNECTOR PART NUMBER TABLE

Positions	Rows Loaded	DIN Level	DIN Size	Termination	Part Number
TYPE C					
Plug, Right Angle					
96	A, B, C	II	Standard	Solder	9-1393644-1
96	A, B, C	II	Standard	Solder	536010-5
96	A, B, C	II	Standard	Solder	536366-5
96	A, B, C	II	Standard	Solder	536437-4
96	A, B, C	II	Standard	Solder	536437-6
96	A, B, C	II	Standard	Solder	536146-5
120	A, B, C	II	Expanded	Solder	5650906-5
120	A, B, C	II	Expanded	Solder	5650914-5
120	A, B, C	II	Expanded	Solder	650906-5
120	A, B, C	II	Expanded	Solder	650949-5
150	A, B, C	II	Expanded	Solder	5650907-5
150	A, B, C	II	Expanded	Solder	650907-5
150	A, B, C	II	Expanded	Solder	5650950-5
150	A, B, C	II	Expanded	Solder	650950-5
Plug, Vertical					
64	A, C	II	Standard	Solder	216432-4
64	A, C	II	Standard	Solder	374544-E
Receptacle, Vertical					
30	A, C	II	Third	Solder	1645664-1
30	A, B, C	II	Third	Press-In	254995-E
30	A, B, C	II	Third	Solder	244336-E
30	A, B, C	II	Third	Solder	254320-E
30	A, B, C	II	Third	Solder	284949-E
32	A, C	II	Half	Solder	5650459-5
32	A, C	II	Half	Solder	5650466-5
32	A, C	II	Half	Press-In	5535068-5
32	A, C	II	Half	Solder	650459-5
32	A, C	II	Half	Solder	650466-5
32	A, C	II	half	Solder	650466-4
32	A, C	II	Half	Solder	244265-E
48	A, B, C	I	Half	Solder	1393640-7
48	A, B, C	II	Half	Solder	1-5536397-5
48	A, B, C	II	Half	Press-In	5535034-4
48	A, B, C	II	Half	Solder	5535070-4
48	A, B, C	II	Half	Solder	5535071-4

EUROCARD CONNECTOR PART NUMBER TABLE

Positions	Rows Loaded	DIN Level	DIN Size	Termination	Part Number
TYPE C					
Receptacle, Vertical					
48	A, B, C	II	Half	Press-In	4-1393637-4
48	A, B, C	II	Half	Solder	5536397-5
48	A, B, C	II	Half	Solder	5536484-5
48	A, B, C	II	Half	Solder	8-1393640-3
48	A, B, C	II	Half	Solder	8-1393640-5
48	A, B, C	II	Half	Solder	5535091-5
48	A, B, C	II	Half	Press-In	535034-5
48	A, B, C	II	Half	Solder	535070-4
48	A, B, C	II	Half	Solder	535070-5
48	A, B, C	II	Half	Solder	535071-4
48	A, B, C	II	Half	Solder	536484-5
48	A, B, C	II	Half	Solder	535091-5
48	A, B, C	II	Half	Press-In	5535034-5
48	A, B, C	I	Half	Solder	254895-E
48	A, B, C	II	Half	Press-In	234647-E
48	A, B, C	II	Half	Press-In	254887-E
48	A, B, C	II	Half	Press-In	284136-E
48	A, B, C	II	Half	Press-In	294762-E
48	A, B, C	II	Half	Solder	254498-E
48	A, B, C	II	Half	Solder	284172-E
48	A, B, C	II	Half	Solder	284174-E
48	A, B, C	II	Half	Solder	284944-E
48	A, B, C	II	Half	Solder	494136-E
64	A, C	II	Standard	Solder	5650956-5
64	A, C	II	Standard	Solder	5650408-5
64	A, C	II	Standard	Solder	5650458-5
64	A, C	II	Standard	Press-In	5535059-4
64	A, C	II	Standard	Solder	650956-5
64	A, C	I	Standard	Solder	2-1393640-5
64	A, C	II	Standard	Press-In	535059-5
64	A, C	II	Standard	Solder	650408-4
64	A, C	II	Standard	Press-In	1-148167-5
64	A, C	II	Standard	Solder	3-1393641-5

EUROCARD CONNECTOR PART NUMBER TABLE

Positions	Rows Loaded	DIN Level	DIN Size	Termination	Part Number
TYPE C					
Receptacle, Vertical					
64	A, C	II	Standard	Solder	5650983-5
64	A, C	II	Standard	Solder	650408-5
64	A, C	II	Standard	Solder	650458-5
64	A, C	I	Standard	Solder	284979-E
64	A, C	II	Standard	Press-In	244268-E
64	A, C	II	Standard	Press-In	244294-E
64	A, C	II	Standard	Press-In	254120-E
64	A, C	II	Standard	Solder	223839-E
64	A, C	II	Standard	Solder	224411-E
64	A, C	II	Standard	Solder	284170-E
64	A, B, C	II	Standard	Solder	244301-E
96	A, B, C	II	Standard	Press-In	4-1393637-9
96	A, B, C	II	Standard	Solder	5536418-5
96	A, B, C	II	Standard	Solder	535043-4
96	A, B, C	II	Standard	Solder	535090-5
96	A, B, C	II	Standard	Press-In	5535032-5
96	A, B, C	II	Standard	Solder	5535043-5
96	A, B, C	II	Standard	Solder	5535090-4
96	A, B, C	II	Standard	Press-In	4-1393637-6
96	A, B, C	II	Standard	Press-In	5148057-5
96	A, B, C	II	Standard	Press-In	5148059-5
96	A, B, C	II	Standard	Press-In	5535032-4
96	A, B, C	II	Standard	Press-In	5535056-5
96	A, B, C	II	Standard	Solder	3-1393641-1
96	A, B, C	II	Standard	Solder	5535043-4
96	A, B, C	II	Standard	Solder	5535089-5
96	A, B, C	II	Standard	Solder	5535090-5
96	A, B, C	II	Standard	Solder	5650963-5
96	A, B, C	II	Standard	Solder	8-1393640-9
96	A, B, C	II	Standard	Solder	9-1393640-2
96	A, B, C	I	Standard	Press-In	5535032-9
96	A, B, C	II	Standard	Press-In	5650992-5
96	A, B, C	II	Standard	Press-In	535032-5

EUROCARD CONNECTOR PART NUMBER TABLE

Positions	Rows Loaded	DIN Level	DIN Size	Termination	Part Number
TYPE C					
Receptacle, Vertical					
96	A, B, C	II	Standard	Press-In	535032-9
96	A, B, C	II	Standard	Solder	535090-4
96	A, B, C	II	Standard	Solder	535090-9
96	A, B, C	II	Standard	Solder	650963-4
96	A, B, C	II	Standard	Press-In	1-148057-5
96	A, B, C	II	Standard	Press-In	1-148059-5
96	A, B, C	II	Standard	Press-In	148057-5
96	A, B, C	II	Standard	Press-In	535032-4
96	A, B, C	II	Standard	Press-In	535056-5
96	A, B, C	II	Standard	Solder	535043-5
96	A, B, C	II	Standard	Solder	535089-5
96	A, B, C	II	Standard	Press-In	535059-4
96	A, B, C	II	Standard	Solder	650913-5
96	A, B, C	II	Standard	Solder	5536412-4
96	A, B, C	I	Standard	Press-In	254015-E
96	A, B, C	I	Standard	Press-In	284135-E
96	A, B, C	I	Standard	Solder	254897-E
96	A, B, C	I	Standard	Solder	284984-E
96	A, B, C	II	Standard	Press-In	204752-E
96	A, B, C	II	Standard	Press-In	224408-E
96	A, B, C	II	Standard	Press-In	224412-E
96	A, B, C	II	Standard	Press-In	254117-E
96	A, B, C	II	Standard	Solder	214836-E
96	A, B, C	II	Standard	Solder	224472-E
96	A, B, C	II	Standard	Solder	244304-E
96	A, B, C	II	Standard	Solder	284308-E
120	A, B, C	II	Expanded	Solder	5536494-5
120	A, B, C	II	Expanded	Solder	536494-5
120	A, B, C	II	Expanded	Press-In	5535079-5
120	A, B, C	II	Expanded	Solder	5535097-5
120	A, B, C	II	Expanded	Solder	5535098-5
120	A, B, C	II	Expanded	Press-In	535079-5
120	A, B, C	II	Expanded	Solder	535098-4
120	A, B, C	II	Expanded	Solder	535097-5
144	A, B, C	II	Expanded	Solder	5148460-1
150	A, B, C	II	Expanded	Solder	5650404-5
150	A, B, C	II	Expanded	Solder	5650405-5
150	A, B, C	II	Expanded	Solder	5650406-5
150	A, B, C	II	Expanded	Press-In	5535080-5
150	A, B, C	II	Expanded	Solder	650405-5
150	A, B, C	II	Expanded	Solder	650406-5

EUROCARD CONNECTOR PART NUMBER TABLE

Positions	Rows Loaded	DIN Level	DIN Size	Termination	Part Number
TYPE CD					
Plug, Right Angle					
128	A, B, C, D	I	Expanded	Solder	384283-E
128	A, B, C, D	II	Expanded	Press-In	384671-E
128	A, B, C, D	II	Expanded	Solder	364918-E
128	A, B, C, D	II	Expanded	Solder	484822-E
Receptacle, Vertical					
128	A, B, C, D	I	Expanded	Solder	284182-E
128	A, B, C, D	II	Expanded	Press-In	244999-E
128	A, B, C, D	II	Expanded	Press-In	254118-E
128	A, B, C, D	II	Expanded	Solder	254977-E
128	A, B, C, D	II	Expanded	Solder	254978-E
128	A, B, C, D	II	Expanded	Solder	484826-E
TYPE D					
Plug, Right Angle					
32	A, C	II	Half	Solder	354868-E
Receptacle, Vertical					
32	A, B	I	Half	Press-In	354442-E
32	A, B	II	Half	Press-In	354445-E
32	A, B	II	Half	Press-In	354646-E
32	A, B	II	Half	Solder	354647-E
TYPE E					
Plug, Right Angle					
48	A, C, E	I	Standard	Solder	354871-E
48	A, C, E	II	Standard	Solder	354872-E
160	A, B, C, D, E	I	Standard	Solder	384298-E
160	A, B, C, D, E	I	Standard	Solder	464271-E
160	A, B, C, D, E	II	Standard	Press-In	384307-E
160	A, B, C, D, E	II	Standard	Solder	384295-E
160	A, B, C, D, E	II	Standard	Solder	384299-E

EUROCARD CONNECTOR PART NUMBER TABLE

Positions	Rows Loaded	DIN Level	DIN Size	Termination	Part Number
TYPE E					
Plug, Vertical					
160	A, B, C, D, E	II	Standard	Solder	384294-E
Receptacle, Vertical					
45	A, B, C, D, E	II	Standard	Solder	284962-E
48	A, C, E	I	Standard	Press-In	354446-E
48	A, C, E	I	Standard	Solder	354341-E
48	A, C, E	II	Standard	Press-In	354664-E
48	A, C, E	II	Standard	Solder	354662-E
160	A, B, C, D, E	I	Standard	Press-In	254839-E
160	A, B, C, D, E	I	Standard	Solder	284959-E
160	A, B, C, D, E	II	Standard	Press-In	254123-E
160	A, B, C, D, E	II	Standard	Press-In	254124-E
160	A, B, C, D, E	II	Standard	Press-In	254960-E
160	A, B, C, D, E	II	Standard	Press-In	254975-E
160	A, B, C, D, E	II	Standard	Solder	284313-E
160	A, B, C, D, E	II	Standard	Solder	284314-E
TYPE F					
Plug, Right Angle					
32	Z, B, D	II	Standard	Solder	188753-4
32	Z, D	II	Standard	Solder	2-164306-1
48	Z, B, D	I	Standard	Solder	1377389-1
48	Z, B, D	I	Standard	Solder	2-164045-1
48	Z, B, D	II	Standard	Solder	166733-4
48	Z, B, D	II	Standard	Solder	2-164045-4
48	Z, B, D	II	Standard	Press-In	354746-E
48	Z, B, D	II	Standard	Solder	354741-E
Receptacle, Right Angle					
31	Z, B, D	II	Standard	Press-In	188826-4

EUROCARD CONNECTOR PART NUMBER TABLE

Positions	Rows Loaded	DIN Level	DIN Size	Termination	Part Number
TYPE F					
Receptacle, Vertical					
32	Z, D	II	Standard	Solder	2-164430-4
32	Z, D	II	Standard	Solder	166951-4
48	Z, B, D	I	Standard	Solder	2-166010-1
48	Z, B, D	II	Standard	Press-In	215334-1
48	Z, B, D	II	Standard	Press-In	215334-4
48	Z, B, D	III	Standard	Press-In	2-166648-4
48	Z, B, D	II	Standard	Press-In	354746-E
48	Z, B, D	II	Standard	Solder	354741-E
TYPE G					
Receptacle, Vertical					
64	Z, B, D, F	I	Standard	Press-In	167771-1
TYPE H					
Plug, Right Angle					
11	B	I	Standard	Solder	123730-E
11	B	I	Standard	Solder	233230-E
11	B	I	Standard	Solder	233235-E
15	Z, D	I	Standard	Solder	223363-E
15	Z, D	I	Standard	Solder	413169-E
15	Z, D	I	Standard	Solder	413638-E
15	Z, D	I	Standard	Solder	414575-E
Plug, Vertical					
11	B	I	Standard	Solder	233226-E
11	B	I	Standard	Solder	233232-E
11	B	I	Standard	Solder	233233-E
15	Z, D	I	Standard	Solder	414574-E

EUROCARD CONNECTOR PART NUMBER TABLE

Positions	Rows Loaded	DIN Level	DIN Size	Termination	Part Number
TYPE H					
Receptacle, Vertical					
11	B	I	Standard	Press-In	424655-E
11	B	I	Standard	Solder	424654-E
11	B	I	Standard	Faston	243246-E
15	Z, D	I	Standard	Press-In	594752-E
15	Z, D	I	Standard	Solder	413170-E
15	Z, D	I	Standard	Solder	594750-E
15	Z, D	I	Standard	Solder	594751-E
TYPE H					
Plug, Right Angle					
96	A, B, C	II	Standard	Solder	5536146-5
96	A, B, C	II	Standard	Solder	5536149-5
Receptacle, Vertical					
160	Fully Loaded	II	Expanded	Press-In	5148452-5
TYPE M					
Plug, Right Angle					
6+10	A, B, C	I	Standard	Solder	374182-E
24+8	A, B, C	I	Standard	Solder	374144-E
24+8	A, B, C	II	Standard	Solder	5148414-5
24+8	A, B, C	II	Standard	Solder	148414-5
39+2	A, B, C	I	Standard	Solder	374178-E
42+6	A, B, C	II	Standard	Solder	374162-E
42+6	A, B, C	II	Standard	Solder	148413-5
51+2	A, B, C	I	Standard	Solder	374179-E
60+4	A, B, C	II	Standard	Solder	374171-E
60+4	A, B, C	II	Standard	Solder	5148412-5
60+4	A, B, C	II	Standard	Solder	148412-5
78+2	A, B, C	II	Standard	Solder	5148411-5
78+2	A, B, C	II	Standard	Solder	148411-5

EUROCARD CONNECTOR PART NUMBER TABLE

Positions	Rows Loaded	DIN Level	DIN Size	Termination	Part Number
TYPE M					
Receptacle, Vertical					
6+10	A, B, C	I	Standard	Solder	294712-E
6+10	A, B, C	I	Standard	Solder	354152-E
24+8	A, B, C	II	Standard	Press-in	5148700-1
24+8	A, B, C	I	Standard	Solder	354163-E
24+8	A, B, C	II	Standard	Press-In	294743-E
24+8	A, B, C	II	Standard	Solder	294711-E
42+6	A, B, C	II	Standard	Press-In	148423-5
42+6	A, B, C	I	Standard	Solder	354112-E
42+6	A, B, C	II	Standard	Solder	354108-E
60	A, B, C	II	Standard	Press-In	5148420-5
60+4	A, B, C	II	Standard	Press-In	148420-5
60+4	A, B, C	II	Standard	Press-In	254062-E
60+4	A, B, C	II	Standard	Solder	354111-E
78	A, B, C	II	Standard	Press-In	5148417-5
TYPE R					
Plug, Right Angle					
32	A, C	II	Half	Solder	5650946-5
Plug, Vertical					
30	A, B, C	II	Third	Solder	374857-E
32	A, C	II	Half	Solder	5650936-5
32	A, C	II	Half	Solder	650936-5
48	A, B, C	II	Half	Solder	2-1393659-6
48	A, B, C	II	Half	Press-In	5650918-5
48	A, B, C	II	Half	Press-In	650918-5
48	A, B, C	II	Half	Solder	5650477-5
48	A, B, C	II	Half	Solder	5650479-5
48	A, B, C	II	Half	Solder	650477-5
48	A, B, C	II	Half	Solder	650479-5
48	A, B, C	II	Half	Press-In	354382-E
48	A, B, C	II	Half	Solder	364921-E

EUROCARD CONNECTOR PART NUMBER TABLE

Positions	Rows Loaded	DIN Level	DIN Size	Termination	Part Number
TYPE R					
Plug, Vertical					
64	A, B, C	II	Standard	Solder	4-1393659-7
64	A, C	II	Standard	Press-In	536098-5
64	A, C	II	Standard	Press-In	5650912-5
64	A, C	II	Standard	Solder	5650933-5
64	A, C	II	Standard	Solder	5650934-5
64	A, C	II	Standard	Press-In	650912-5
64	A, C	II	Standard	Solder	650933-5
64	A, C	II	Standard	Solder	650934-5
64	A, C	II	Standard	Solder	374002-E
96	A, B, C	II	Standard	Press-In	148304-4
96	A, B, C	II	Standard	Press-In	5148304-4
96	A, B, C	II	Standard	Press-In	536019-5
96	A, B, C	II	Standard	Press-In	5650889-5
96	A, B, C	II	Standard	Solder	5650908-5
96	A, B, C	II	Standard	Solder	650470-5
96	A, B, C	II	Standard	Solder	650908-5
96	A, B, C	I	Standard	Solder	374199-E
96	A, B, C	II	Standard	Press-In	234712-E
96	A, B, C	II	Standard	Press-In	354410-E
96	A, B, C	II	Standard	Solder	374000-E
96	A, B, C	II	Standard	Solder	374001-E
96	A, B, C	II	Standard	Solder	374604-E
120	A, B, C	II	Expanded	Press-In	650921-5
120	A, B, C	II	Expanded	Solder	650919-5
120	A, B, C	II	Expanded	Press-In	5650921-5
120	A, B, C	II	Expanded	Solder	5650910-5
120	A, B, C	II	Expanded	Solder	5650919-5
150	A, B, C	II	Expanded	Press-In	650924-5
150	A, B, C	II	Expanded	Solder	650911-5
150	A, B, C	II	Expanded	Press-In	536096-5
150	A, B, C	II	Expanded	Solder	5650911-5
150	A, B, C	II	Expanded	Solder	5650922-5
150	A, B, C	II	Expanded	Solder	650922-5

EUROCARD CONNECTOR PART NUMBER TABLE

Positions	Rows Loaded	DIN Level	DIN Size	Termination	Part Number
TYPE R					
Receptacle, Right Angle					
21	A, B, C	II	-	Solder	1393657-5
21	A, B, C	II	Half	Solder	464831-E
8/21	A, C	II	-	Solder	1393657-1
10/21	A, B, C	II	-	Solder	1982301-1
30	A, B, C	II	Third	Solder	254326-E
48	A, B, C	II	Half	Solder	5650868-5
48	A, B, C	II	Half	Solder	5650868-4
48	A, B, C	II	half	Solder	650893-4
48	A, B, C	II	Half	Solder	5650893-5
48	A, B, C	II	Half	Solder	650868-5
48	A, B, C	II	Half	Solder	284540-E
64	A, C	II	Standard	Solder	5650870-4
64	A, C	II	Standard	Solder	5650897-4
64	A, C	II	Standard	Solder	650897-5
64	A, C	II	Standard	Solder	284259-E
96	A, C	II	Standard	Solder	5650897-5
96	A, B, C	II	Standard	Solder	5650461-5
96	A, B, C	II	Standard	Solder	5650895-5
96	A, B, C	II	Standard	Solder	650461-4
96	A, B, C	II	Standard	Press-In	284260-E
96	A, B, C	II	Standard	Solder	244139-E
96	A, B, C	II	Standard	Solder	284258-E
96	A, B, C	II	Standard	Solder	284264-E
96	A, B, C	II	Standard	Solder	5650462-5
96	A, B, C	II	Standard	Press-In	5148292-5
96	A, B, C	II	Standard	Solder	5650461-4
96	A, B, C	II	Standard	Solder	5650462-4
96	A, B, C	II	Standard	Solder	5650895-4
96	A, B, C	II	Standard	Press-In	148292-5
96	A, B, C	II	Standard	Solder	650461-5
96	A, B, C	II	Standard	Solder	650462-5
96	A, B, C	II	Standard	Solder	650895-5
120	A, B, C	II	Expanded	Solder	650874-5
120	A, B, C	II	Expanded	Solder	5650874-4
120	A, B, C	II	Expanded	Solder	5650874-5
150	A, B, C	II	Expanded	Press-In	5148295-5
150	A, B, C	II	Expanded	Solder	5650875-5

EUROCARD CONNECTOR PART NUMBER TABLE

Positions	Rows Loaded	DIN Level	DIN Size	Termination	Part Number
TYPE R					
Receptacle, Vertical					
64	A, C	II	Standard	Solder	650870-4
96	A, B, C	II	Standard	Solder	650462-4
96	A, B, C	II	Standard	Solder	650895-4
120	A, B, C	II	Expanded	Solder	650874-4
160	A, B, C	II	Standard	Solder	1-148445-5
TYPE Q					
Plug, Vertical					
20	A, B	II	Third	Solder	374932-E
64	A, C	II	Standard	Solder	3-1393659-4
Receptacle, Right Angle					
20	A, B	II	Third	Press-In	354031-E
20	A, B	II	Third	Solder	294927-E
32	A, B	II	Half	Solder	294722-E
64	A, B	II	Standard	Solder	294721-E
TYPE RD					
Plug, Vertical					
128	A, B, C, D	II	Expanded	Press-In	374466-E
128	A, B, C, D	II	Expanded	Solder	374460-E
128	A, B, C, D	II	Expanded	Solder	374463-E
Receptacle, Right Angle					
128	A, B, C, D	II	Expanded	Press-In	374279-E
128	A, B, C, D	II	Expanded	Solder	384850-E
TYPE TE					
Plug, Vertical					
160	A, B, C, D, E	II	Standard	Press-In	384668-E
160	A, B, C, D, E	II	Standard	Press-In	384674-E
160	A, B, C, D, E	II	Standard	Solder	374470-E
160	A, B, C, D, E	II	Standard	Solder	374472-E
Receptacle, Right Angle					
160	A, B, C, D, E	I	Standard	Solder	374385-E
160	A, B, C, D, E	II	Standard	Press-In	374390-E
48	A, C, E	II	Standard	Solder	374389-E

TE TECHNICAL SUPPORT CENTER

USA	+1 (800) 522-6752
Canada	+1 (905) 475-6222
Mexico	+52 (0) 55-1106-0800
Latin/S. America	+54 (0) 11-4733-2200
Germany	+49 (0) 6251-133-1999
UK	+44 (0) 800-267666
France	+33 (0) 1-3420-8686
Netherlands	+31 (0) 73-6246-999
China	+86 (0) 400-820-6015

Part numbers in this brochure are RoHS Compliant*, unless marked otherwise.

Connect With Us

We make it easy to connect with our experts and are ready to provide all the support you need. Visit te.com/support to chat with a Product Information Specialist.

te.com

TE, TE Connectivity, TE connectivity (logo), ACTION PIN and FASTON are trademarks owned or licensed by the TE Connectivity Ltd. family of companies. Other product names, logos, and company names mentioned herein may be trademarks of their respective owners.

The information given herein, including drawings, illustrations and schematics which are intended for illustration purposes only, is believed to be reliable. However, TE Connectivity makes no warranties as to its accuracy or completeness and disclaims any liability in connection with its use. TE Connectivity's obligations shall only be as set forth in TE Connectivity's Standard Terms and Conditions of Sale for this product and in no case will TE Connectivity be liable for any incidental, indirect or consequential damages arising out of the sale, resale, use or misuse of the product. Users of TE Connectivity products should make their own evaluation to determine the suitability of each such product for the specific application.

©2024 TE Connectivity. All Rights Reserved.

Published 04-24