

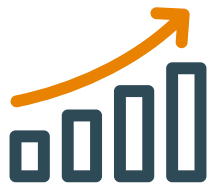


T5 BENCHTOP TERMINATOR

Product Brochure

T5 BENCHTOP TERMINATOR

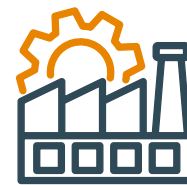
TE Connectivity's (TE) new T5 benchtop terminator is a low-cost, high-quality machine compatible with various applicator brands. The unit comes with the flexibility to run all TE and other brands mini-style applicators and an easy user interface, accommodating reeled terminals effortlessly. With a small manufacturing footprint, it will also allow our customer to utilize less floor space and decrease the manufacturing cost per sq foot. This powerful, economically priced bench top crimping machine provides performance, and reliability for low to medium volume wire processing, and yields increased output and quality of a semi-automatic machine.



New High-Performance Machine



Cost Effective



Small Manufacturing Footprint

Key Features	Benefits
New High-Performance Machine	<ul style="list-style-type: none"> • Easy setup and minimal training for operators, enabling smooth operation from start to finish • Simplified Motor Ram Controller for streamlined and precise applicator terminal feed adjustments • Enhanced guarding for closer alignment, perfect for smaller lead wires in the crimp processing area • Real-time quality measuring
Cost Effective	<ul style="list-style-type: none"> • Energy cost savings • Competitive price point • Standalone solution in the low-cost terminator segment
Small Manufacturing Footprint	<ul style="list-style-type: none"> • Lightweight design - no need for special tables • Increased operational efficiency using less floor space • Reduced manufacturing cost per sq foot

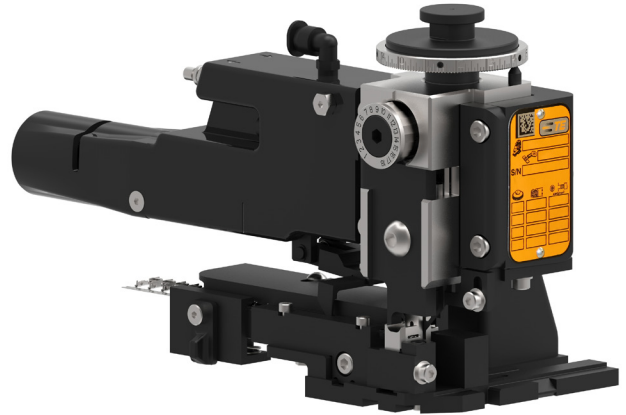
Industries

- Automotive
- Industrial & Commercial Transportation
- Aerospace Defense & Marine
- Appliances
- Industrial

Applications

- High Voltage Battery Connections
- Data Connectivity Applications (Infotainment, Systems, Safety & In-vehicle networks)
- Cooking Applications & Dishwasher Solutions
- Heavy Machinery
- Motor Connections

COMPATIBLE WITH ALL TE OCEAN APPLICATORS AND COMPETITORS' APPLICATORS FOR ENHANCED PERFORMANCE



Technical Details

Specifications	
Force Capacity	20kN [4,500lbs]
Wire Cross Section	6 mm ² (AWG10) max
Stroke	40 mm
Shut Height	135.78 mm
Electrical Supply	230V 50Hz single phase
Optional Supply	110V 60Hz single phase

Optional Accessory: Crimp Quality Monitor



Crimp Quality Monitor (CGM Lite) : Enhancement Features

- 4.3" Capacitive Touch Screen
- Two Force Based Crimp Analysis Methods - Peak Force and Point-to-Point
- Uses Piezo Frame Sensor for Crimp Force Measurement
- Crimp Heights are Repeatable Within 0.12 mm
- One Gain Crimp and Five Learn Crimps to Setup Crimp Process
- Foot Pedal Disabled until Failed Crimp has been Acknowledged
- Sample Screen for Performing Applicator Setup
- Software Updates through Micro USB Port
- 24VDC Power Supply Included

Ordering Information

Part Number	Part Description
2475000-1	TERMINATOR, BENCH, TE T5-North America
2475000-2	TERMINATOR, BENCH, TE T5-EMEA
2475000-3	TERMINATOR, BENCH, TE T5-UK
2475000-4	TERMINATOR, BENCH, TE T5-Japan
2475000-5	TERMINATOR, BENCH, TE T5-China
2476000-1	TERMINATOR, BENCH, TE T5 WITH CQM-North America
2476000-2	TERMINATOR, BENCH, TE T5 WITH CQM-EMEA
2476000-3	TERMINATOR, BENCH, TE T5 WITH CQM-UK
2476000-4	TERMINATOR, BENCH, TE T5 WITH CQM-Japan
2476000-5	TERMINATOR, BENCH, TE T5 WITH CQM-China

Connect With Us

Our tooling is supported by an established, experienced, and responsive field service organization. TE Connectivity field engineers are located worldwide and are available to assist with on-site and remote service; selection and installation of new equipment; training; and technical support. Service agreements are available to provide protection and support for all your application tooling equipment.

Contact Us

Phone:

Americas 1-800-722-1111

EMEA 49-6151-607-1518

APAC 86-021-3325-9030

Tooling Portfolio: tooling.te.com

Field Service: te.com/fieldservice

te.com

TE Connectivity, TE, TE connectivity (logo) and EVERY CONNECTION COUNTS are trademarks owned or licensed by the TE Connectivity Ltd. family of companies. All other logos, products and/or company names referred to herein might be trademarks of their respective owners.

The information given herein, including drawings, illustrations and schematics which are intended for illustration purposes only, is believed to be reliable. However, TE Connectivity makes no warranties as to its accuracy or completeness and disclaims any liability in connection with its use. TE Connectivity's obligations shall only be as set forth in TE Connectivity's Standard Terms and Conditions of Sale for this product and in no case will TE Connectivity be liable for any incidental, indirect or consequential damages arising out of the sale, resale, use or misuse of the product. Users of TE Connectivity products should make their own evaluation to determine the suitability of each such product for the specific application.

© 2024 TE Connectivity. All Rights Reserved.