

MIL-C-5015 STYLE CIRCULAR PLASTIC CONNECTORS (CPC)



This AMP Circular Plastic Connector Line is specifically designed to be intermateable with other manufacturers' Metal-Shell sizes 20-14 and 18-10, MIL-C-5015 Style Connector Systems. The high impact resistant plastic housing offers the advantages of lighter weight and lower cost than existing metal shell connectors. In addition, the connector design prevents mismatching when used with other insert arrangements. As part of the AMP Multimate Family of Connectors, the MIL-C-5015 style connector offers the additional economies of crimp Type III+ Pin and Socket contacts in reel-mounted, stripform for high volume automatic machine termination, as well as in loose piece form for low volume, prototype or maintenance and repair.

TABLE OF CONTENTS

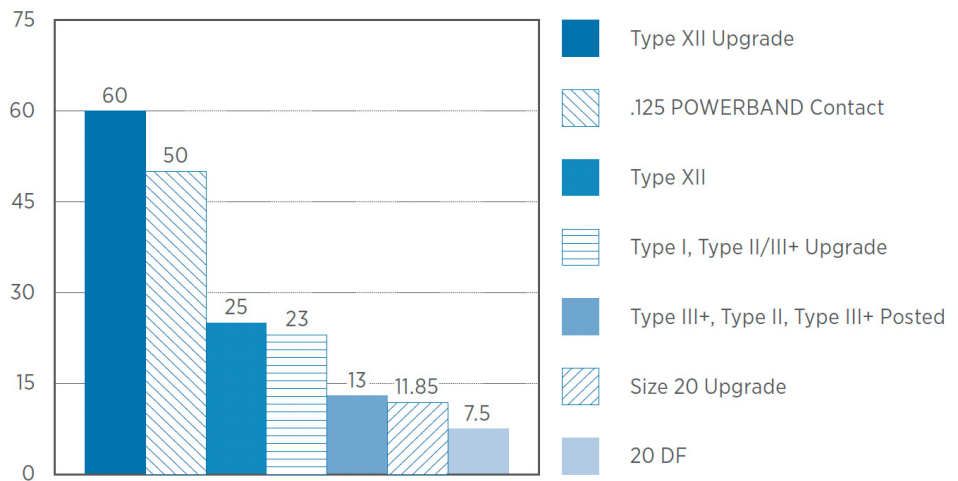
CPC, MIL-C-5015 Style

- Current Carrying Capabilities.....3
- Product Facts and Technical Document.....4
- Contact arrangements.....4
- Plugs and Receptacles (Shell Size 20-14 and Shell Size 18-10).....5
- Type III+ Contacts.....6

CURRENT CARRYING CAPABILITIES

The total current capacity of each contact in a given connector is dependent upon the heat rise resulting from the combination of electrical loads of the contacts in the connector arrangement and the maximum ambient temperature in which the connector will be operating. Caution must be taken so that this combination of conditions does not cause the internal temperature of the connector to exceed the maximum operating temperature of the housing material. Several variables which must be considered when determining this maximum current capability for your application are:

Contact Current Guide Maximum Current (Amperes) for Largest Wire Size



Wire Size- Larger wire will carry more current since it has less internal resistance to current flow and generates less heat. The wire also conducts heat away from the connector.

Connector Size- In general, with more circuits in a connector, less current per contact can be carried.

Current Load Distribution- Spreading those lines with greater current loads throughout the connector, particularly around the outer perimeter, will enhance heat dissipation.

Ambient Temperature- With higher ambient temperatures, less current can be carried.

Contact Selector Chart

Connector Type	20 DF	Type II	Type III+	Posted Type III+	Type XII	POWERBAND Contacts
CPC Series 1		✓	✓	✓		
CPC Series 2	✓					
CPC Series 3					✓	
CPC Series 4		✓	✓		✓	
CPC Series 5						✓
CPC Series 6		✓	✓			✓
CPC 5015			✓			
CMC Series 1		✓	✓	✓		
CMC Series 2	✓					
CMC Series 3					✓	
CMC Series 4		✓	✓		✓	

Note: All part numbers are RoHS Compliant.

MIL-C-5015 STYLE CIRCULAR PLASTIC CONNECTORS

Product Facts

- Intermateable with other manufacturers' Metal- Shell Sizes 20-14 and 18-10, MIL-C-5015 Style Connectors
- High impact resistant plastic housing
- Lighter weight
- Lower cost
- Industry accepted, Type III+ pin and socket contacts, available on reels in strip-form for high volume, low cost, automatic machine terminations
- Contacts also available in loose piece form for low volume, prototype or maintenance and repair
- Housing designed to prevent mismatching with other insert arrangements
- Recognized under the Component Program of Underwriters Laboratories Inc., File No. E28476
- Certified by Canadian Standards Association,

Technical Documents

Application Specification

[114-10038](#) CPC Connectors

[114-10004](#) Contacts, Type III+

Product Specifications

[108-10024](#) CPC Connectors

[108-10042](#) Contacts, Type III+

Instruction Sheets

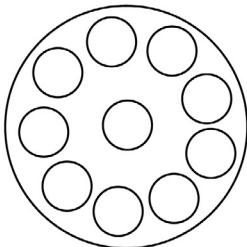
[408-7582](#) Accessories for CPC Connectors

[408-7592-A](#) Improved Strain Relief Clamps for CPC Connectors

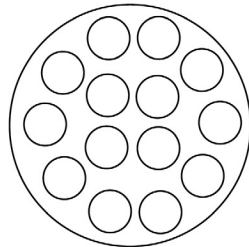
[408-7593](#) CPC Connectors

CONTACT ARRANGEMENTS

Shell Sizes 18 and 20



18-10



20-14

PLUGS AND RECEPTACLES (SHELL SIZE 20-14)

Plug Kit, Unassembled

Reverse mate (Accepts pins)
Part Number [213571-2](#)
without Cable Clamp



Standard mate (Accepts sockets)
Part Number [213652-1](#)
without Cable Clamp

Receptacle, Square Flange

Reverse mate (Accepts sockets)
Part Number [213570-1](#)



Standard mate (Accepts pins)
Part Number [213651-1](#)

Receptacle, Free-Hanging

Reverse mate (Accepts sockets)
Part Number [213650-1](#)



PLUGS AND RECEPTACLES (SHELL SIZE 18-10)

Plug Kit, Unassembled

Reverse mate (Accepts pins)
Part Number [213671-1](#)
without Cable Clamp



Receptacle, Square Flange

Reverse mate (Accepts sockets)
Part Number [213667-1](#)



Receptacle, Free-Hanging

Reverse mate (Accepts sockets)
Part Number [213668-1](#)



CABLE CLAMPS

Cable clamps provide strain relief and can be used on all series receptacles and plugs.

Material

Black thermoplastic heat-stabilized, fire-resistant, self-extinguishing. UL 94V-O rated



Standard Size



Large Size

Cable Clamps		O. D. Max.
Part No.	Type	
206070-8	standard	.453 [11.51]
206322-9	large	.703 [17.86]

Dimensions are in inches and millimeters unless otherwise specified. Values in brackets are metric equivalents. Dimensions are shown for reference purposes only. Specifications subject to change.

TYPE III+ CONTACTS

Wire Size Range		Ins. Dia. Range	Contact Finish Code	Strip Form Contact No.		Loose Piece Contact No.		Strip Form Applicator	Hand Tool Part No.
AWG	mm ²			Pin	Socket	Pin	Socket		
24-20	0.2-0.6	.060-.135 [1.52-3.43]	B	213605-7	1-66563-1	-	66565-7	2151669- ††	91542-1
			A	-	66563-8	-	66565-4		
18-14	0.8-2	.110-.150 [2.79-3.81]	B	213603-5	66598-9	213603-6	66601-9	2151405- ††	91521-1
			A	-	66598-2	-	66601-2		

†† **Note:** Applicators for TE semiautomatic or fully-automatic termination equipment are available. Contact Technical Support.

*** MIL-C-5015 style connectors require a longer Multimate pin contact. This contact is .145 [3.68] longer than the standard Multimate pin contacts.

It is not for use in other Multimate connectors, socket contacts are standard Multimate Type III+ contacts.

Extraction Tool Part No. [305183](#)

Note: Gold-plated contacts should not be mated with tin or silver plated contacts.

Material

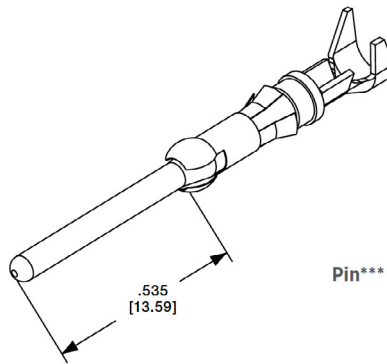
Contact - Brass

Spring - Stainless Steel

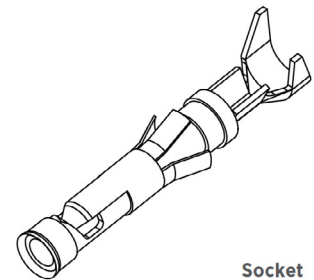
Contact Finish

A - .000030 [0.00076] gold on the electrical engagement area over .000030 [0.00076] min. nickel

B - Tin



Pin***



Socket

Connect With Us

We make it easy to connect with our experts and are ready to provide all the support you need.

Visit te.com/support to chat with a Product Information Specialist.

TE Connectivity

Connected Living Solutions

te.com/circular-plastic-connector

TE, TE Connectivity, TE connectivity (logo), and EVERY CONNECTION COUNTS are trademarks owned or licensed by the TE Connectivity plc family of companies. Other product names, logos, and company names mentioned herein may be trademarks of their respective owners.

The information given herein, including drawings, illustrations and schematics which are intended for illustration purposes only, is believed to be reliable. However, TE Connectivity makes no warranties as to its accuracy or completeness and disclaims any liability in connection with its use. TE Connectivity's obligations shall only be as set forth in TE Connectivity's Standard Terms and Conditions of Sale for this product and in no case will TE Connectivity be liable for any incidental, indirect or consequential damages arising out of the sale, resale, use or misuse of the product. Users of TE Connectivity products should make their own evaluation to determine the suitability of each such product for the specific application.

©2026 TE Connectivity. All Rights Reserved.

04-26