



MEDIUM VOLTAGE JUNCTION BOX MVJB

WITH TE's Raychem SCREENED T-CONNECTORS RSTI UP TO 36 kV

KEY FEATURES

- Application in grid connection and wind turbines in onshore and offshore environments
- Branching point for cross section combinations from 25 mm² to 800 mm²
- Full metal encapsulation
- Easy access to the capacitive test points
- Monitoring and detection of voltage
- Tested according to CENELEC HD.629.1 S2:2006 +A1:2008

TE Connectivity's (TE) Medium Voltage Junction Box MVJB with set of TE's Raychem Screened Separable T-connectors RSTI facilitates safe, easy and quick connection and disconnection of medium voltage cables up to 36 kV. It is suitable for usage in grid connection and wind turbines in onshore and offshore environments. Supporting a wide application range, it represents a branching point for any cross-section from 25 mm² to 800 mm². The overall dimensions are compact and designed to take up the minimum space. Full metal encapsulation gives reliable and insured service.

Our MVJB provides the ability to connect TE's Raychem Screened separable T-connectors RSTI, Coupling Connectors RSTI-CC and Surge Arresters RSTI-SA. This gives easy accessibility to the capacitive test points for determining whether the circuit is energized and opportunity to protect equipment from overvoltages. The possibility to monitor and detect the voltage gives reliability and safeness in its function within electrical systems.

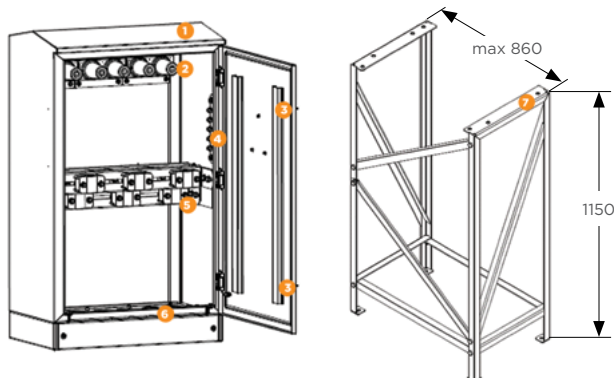
The MVJB is tested according to the cable accessories standard CENELEC HD 629.1 S2, which includes BS, VDE and other international specifications.

With fulfilment of IP 65 test degree of protection with integrated bottom plate, our MVJB is secured against water and dust ingress.

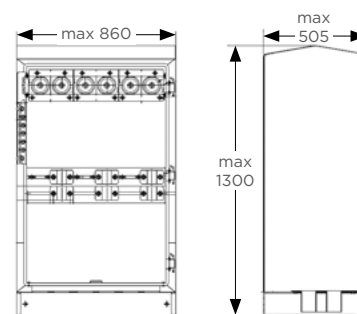
Customers can count on consistent, high quality products, driven by TE's proven innovation and backed by our extraordinary customer support.



TECHNICAL DATA		
Description	MVJB-6x2x-01	MVJB-6x2x-03
Protection class	No class	IP 65
Maximum system voltage (kV)	36	36
Maximum continuous current rating (A)	1250	1250
Impulse withstand voltage (kV)	170	170
AC withstand voltage (kV)	93.5	93.5
DC withstand volatge (kV)	125	125
Short circuit current (kA/1s)	22	22
Application	Non buried	Non buried
Box size (LxHxW) (mm)	max 860x1300x505	max 860x1300x505
Material	Available in mild or stainless steel	Available in mild or stainless steel
Max number of connectable cable system	4	4



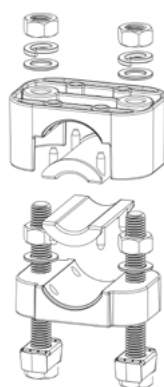
1. Metal housing
2. U-shape bushing
3. Door locking system
4. Earth busbars
5. Cable cleats
6. With or w/o bottom plate
7. MVJB Foundation rack



ORDERING INFORMATION

MVJB Foundation Rack (MVJB-FOUNDATION-RACK-04) and cable cleats are to be ordered separately.

CABLE DIAMETER (mm)	CABLE CLEATS Description
15 - 26	CC15-26-SN-M12
26 - 38	CC26-38-SN-M12
38 - 50	CC38-50-SN-M12
50 - 60	CC50-60-SN-M12
60 - 70	CC60-70-SN-M12



FOR MORE INFORMATION: TE Technical Support Centers

USA:	+ 1 800 327 6996
Canada:	+ 1 (905) 475-6222
Mexico:	+ 52 (0) 55-1106-0800
Latin/S. America:	+ 54 (0) 11-4733-2200
France:	+ 33 380 583 200
UK:	+ 44 0870 870 7500
Germany:	+ 49 896 089 903
Spain:	+ 34 916 630 400
Italy:	+ 39 333 250 0915
Benelux:	+32 16 508 695
Russia:	+7 495-790 790 2-200
China:	+ 86 (0) 400-820-6015

te.com/energy

©2018 TE Connectivity. All Rights Reserved. EPP-3186-10/18-EMEA-EN

Raychem, TE Connectivity and the TE connectivity (logo) are trademarks of the TE Connectivity Ltd. family of companies. Other logos, product and Company names mentioned herein may be trademarks of their respective owners. While TE has made every reasonable effort to ensure the accuracy of the information in this brochure, TE does not guarantee that it is error-free, nor does TE make any other representation, warranty or guarantee that the information is accurate, correct, reliable or current. TE reserves the right to make any adjustments to the information contained herein at any time without notice. TE expressly disclaims all implied warranties regarding the information contained herein, including, but not limited to, any implied warranties of merchantability or fitness for a particular purpose. The dimensions in this brochure are for reference purposes only and are subject to change without notice. Specifications are subject to change without notice. Consult TE for the latest dimensions and design specifications.