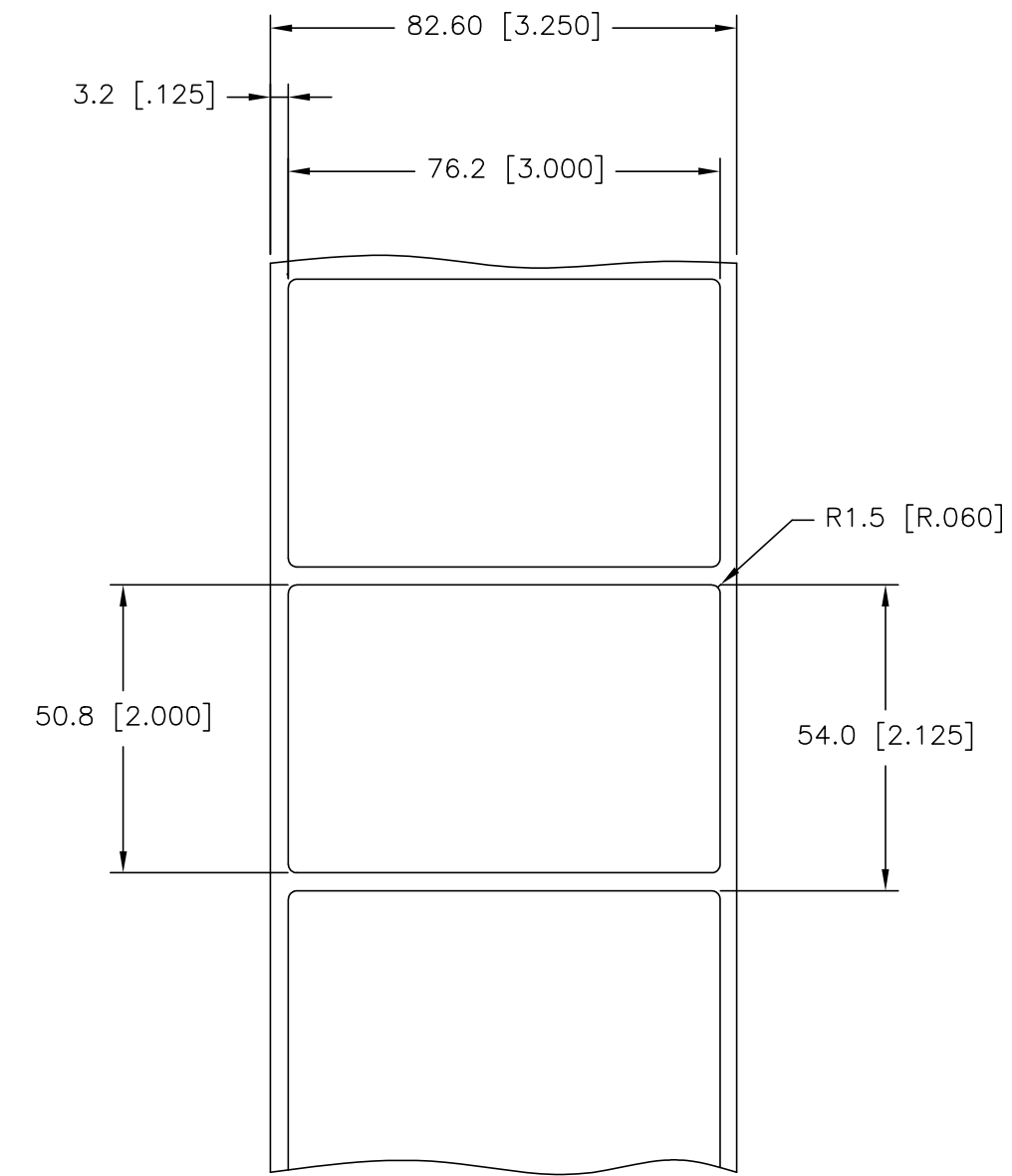


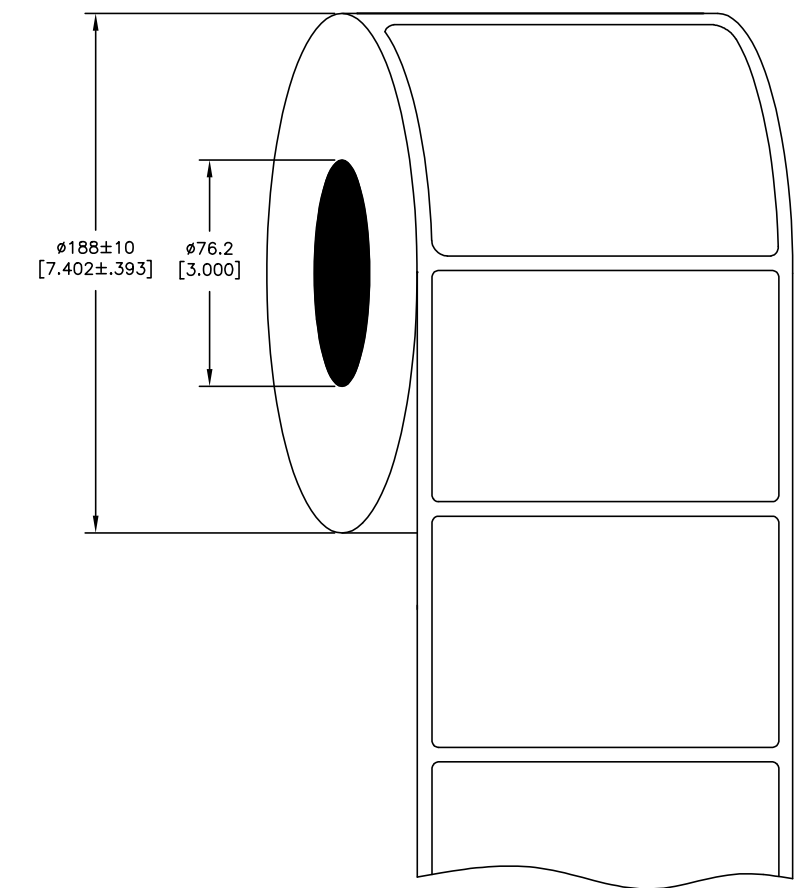
THIS DRAWING IS UNPUBLISHED. RELEASED FOR PUBLICATION
 © COPYRIGHT - TE Connectivity Ltd. ALL RIGHTS RESERVED.

REVISIONS					
P	LTR	DESCRIPTION	DATE	DWN	APVD
	A	DRAWING FORMAT UPDATE AND MATERIAL RE-DESIGN	31JUL2019	GK	KM

LABEL AND LINER DESIGN



PRESENTATION



All dimensions in mm [Inches]

TE PN: A31177-000

**OUTSIDE WOUND LABEL ACROSS: 1
 PER ROLL QTY: 2500.
 ROLL LENGTH: 135.00 m**

MATERIAL	WHITE VINYL FILM
ADHESIVE TYPE	PERMANENT
LINER	GLASSINE PAPER

TOLERANCES mm [INCH]	
LABEL HEIGHT:	±0.3 [.012]
LABEL WIDTH:	±0.3 [.012]
WEB WIDTH:	±0.8 [.031]
VERTICAL REPEAT:	±0.8 [.031]*
HORIZONTAL REPEAT:	±0.8 [.031]*
PRINT POSITIONING:	±0.8 [.031]*
LEFT MARGIN:	±0.4 [.016]
QUANTITY:	-0 % +2 %
*NON ACCUMULATING	

THIS DRAWING IS A CONTROLLED DOCUMENT.	
DIMENSIONS: mm [INCHES]	TOLERANCES UNLESS OTHERWISE SPECIFIED:
	0 PLC ± -
	1 PLC ± -
	2 PLC ± -
	3 PLC ± -
	4 PLC ± -
ANGLES ± -	
MATERIAL SEE TABLE	FINISH -

DWN	31JUL2019
CHK	GOPALAKRISHNA HV
APVD	31JUL2019
NAME	K. MUNZ
PRODUCT SPEC	K. MUNZ
APPLICATION SPEC	TTDS-207
WEIGHT	0.44516 g
CUSTOMER DRAWING	

		TE Connectivity	
NAME WV - WHITE VINYL LABELS			
SIZE	CAGE CODE	DRAWING NO	RESTRICTED TO
A3	C2290	WV-762508-2.5-9	-
SCALE NTS		SHEET 1 of 1	REV A