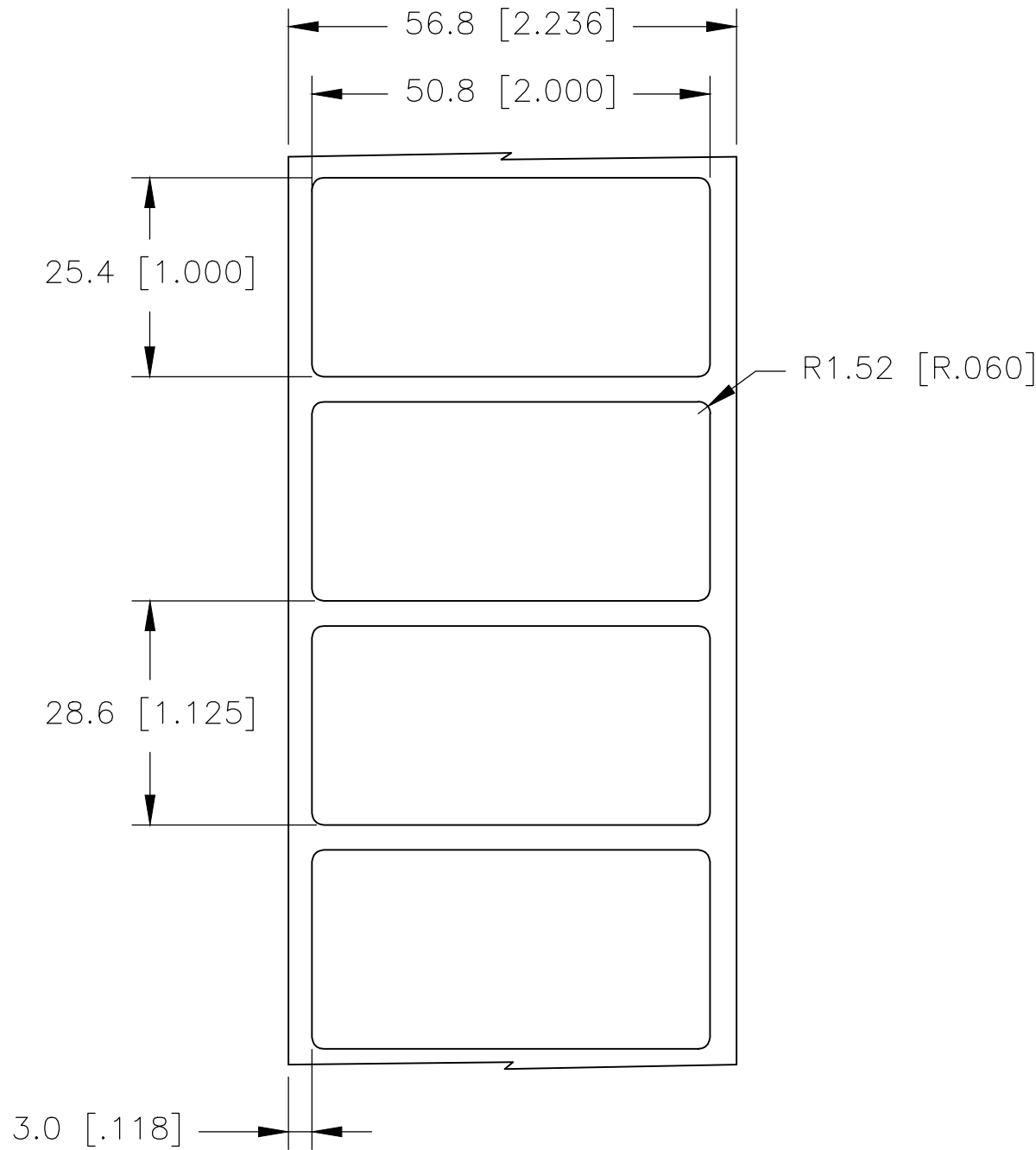
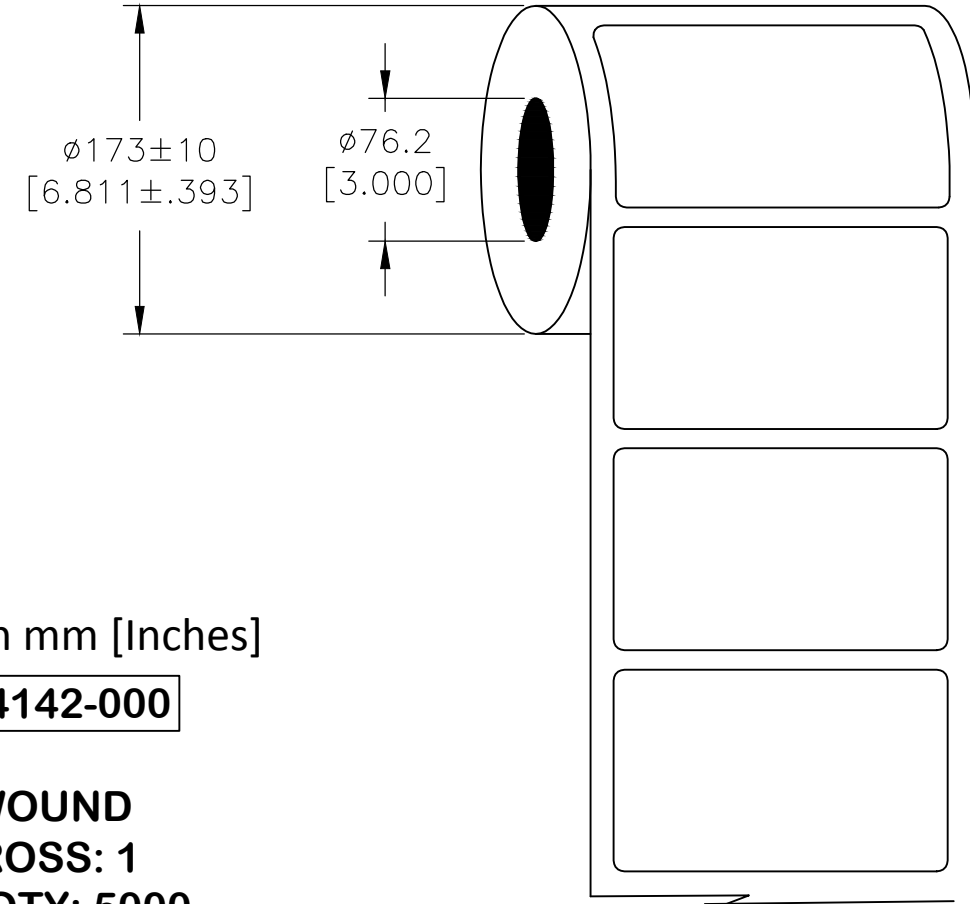


P	LTR	DESCRIPTION	DATE	DWN	APVD
	B	ECR-20-003872	24FEB2020	GK	MN

LABEL AND LINER DESIGN



PRESENTATION



All dimensions in mm [Inches]

TE PN: E74142-000

**OUTSIDE WOUND
LABEL ACROSS: 1
PER ROLL QTY: 5000**

MATERIAL	WHITE POLYESTER
ADHESIVE TYPE	PERMANENT
LINER	GLASSINE PAPER

TOLERANCES mm [INCH]	
LABEL HEIGHT:	±0.3 [.012]
LABEL WIDTH:	±0.3 [.012]
WEB WIDTH:	±0.8 [.031]
VERTICAL REPEAT:	±0.8 [.031]*
HORIZONTAL REPEAT:	±0.8 [.031]*
PRINT POSITIONING:	±0.8 [.031]*
LEFT MARGIN:	±0.4 [.016]
QUANTITY:	-0 % +2 %
*NON ACCUMULATING	

THIS DRAWING IS A CONTROLLED DOCUMENT.	
DIMENSIONS: mm [INCHES]	TOLERANCES UNLESS OTHERWISE SPECIFIED:
	0 PLC ± -
	1 PLC ± -
	2 PLC ± -
	3 PLC ± -
	4 PLC ± -
MATERIAL SEE TABLE	FINISH -

DWN	27OCT2005
CHK	GOPALAKRISHNA HV
APVD	27OCT2005
APVD	K. MUNZ
APVD	K. MUNZ
PRODUCT SPEC	TTDS-073
APPLICATION SPEC	-
WEIGHT	0.116g

TE Connectivity	
NAME WP - WHITE POLYESTER LABELS	
SIZE	A3
CAGE CODE	C2290
DRAWING NO	G-WP-508254-5-9
RESTRICTED TO	-
SCALE	NTS
SHEET	1 OF 1
REV	B