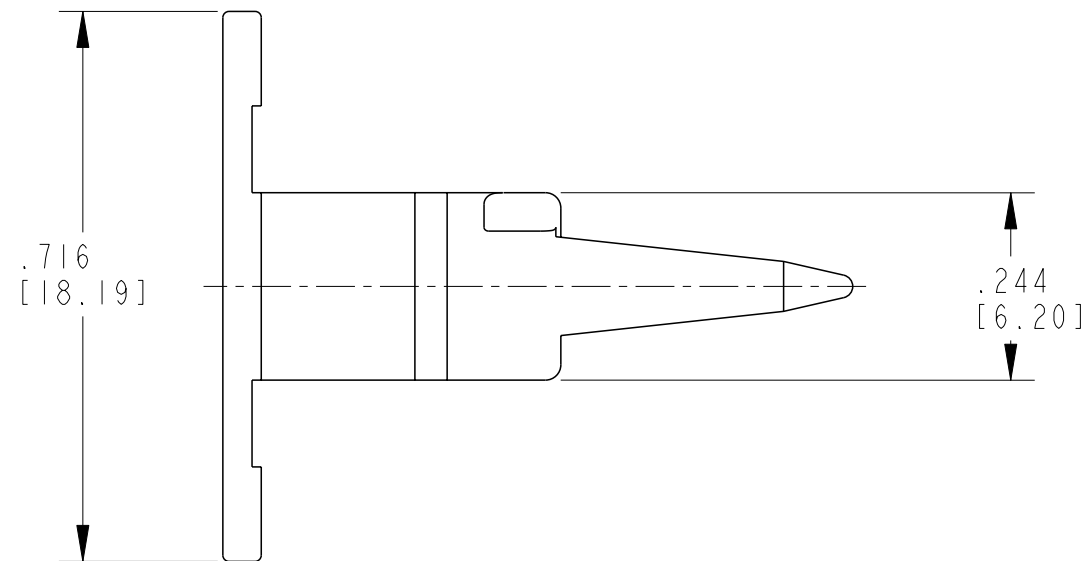
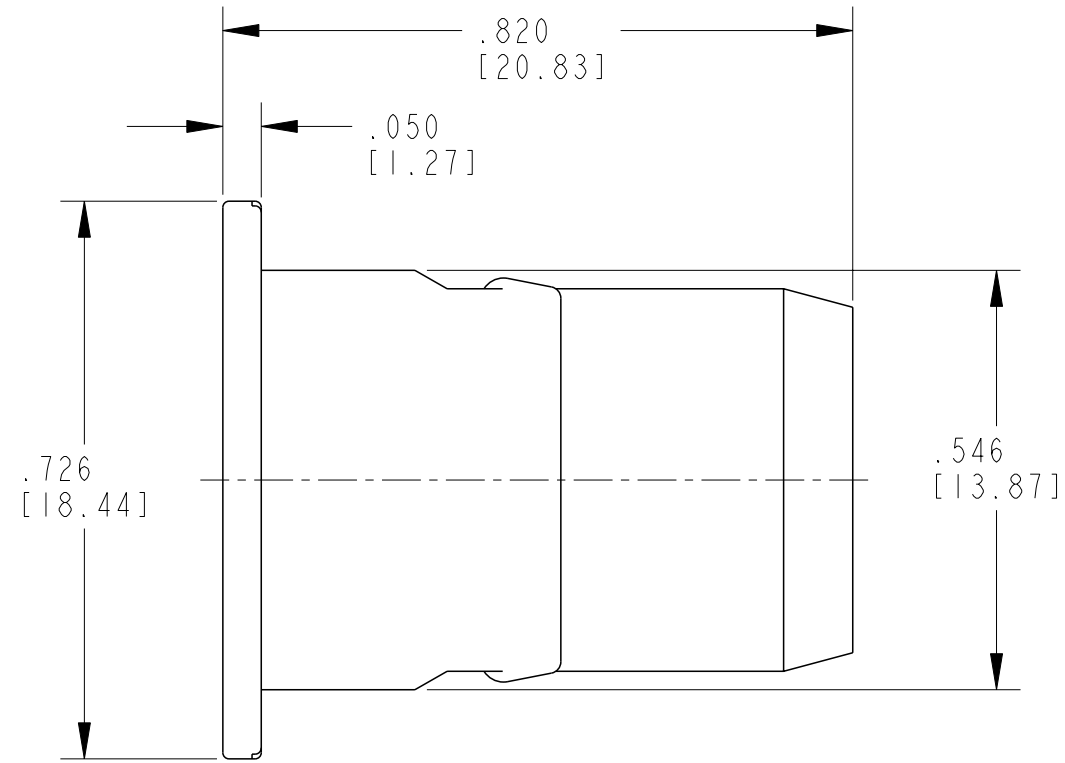
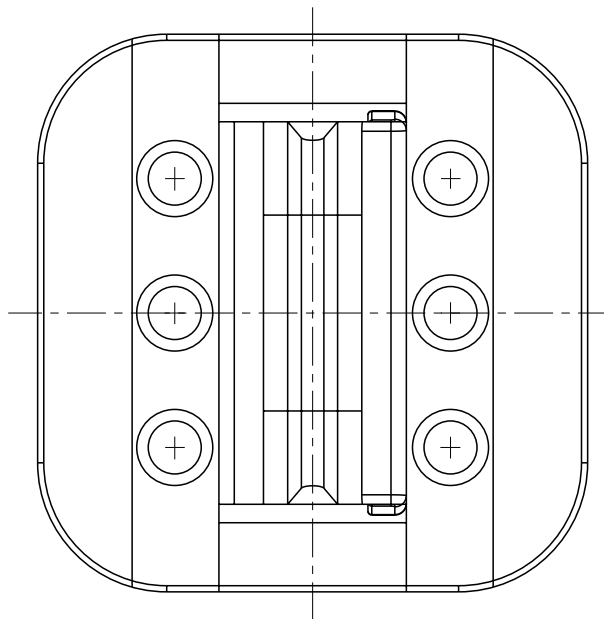


REVISIONS

P	LTR	DESCRIPTION	DATE	DWN	APVD
	E	REVISED PER PCN-23-190134	29SEP2023	GB	CB



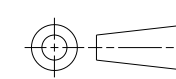
THIS DRAWING IS A CONTROLLED DOCUMENT.

DWN X. SANCHEZ 07NOV2001



DIMENSIONS:
INCHES [mm]

TOLERANCES UNLESS OTHERWISE SPECIFIED:



0 PLC	±
1 PLC	±
2 PLC	±
3 PLC	±.025
4 PLC	±
ANGLES	±
FINISH	-

CHK -

APVD -

PRODUCT SPEC

108-151009

APPLICATION SPEC

114-151009

WEIGHT -

NAME
WEDGE FOR 6 WAY PLUG
COLOR : ORANGE DT SERIES
ENVELOPE

SIZE	CAGE CODE	DRAWING NO	RESTRICTED TO
------	-----------	------------	---------------

A3	00779	C-W6S	-
----	-------	-------	---

CUSTOMER DRAWING; RESTRICTED CUSTOMER

SCALE 4:1	SHEET 1 OF 1	REV E
-----------	--------------	-------

2. USED WITH DT06-6S-XXXX (XXXX = ALL MODIFICATIONS). CONSULT FACTORY FOR MODIFICATIONS AND APPLICATION.

1. CONSULT FACTORY FOR APPLICATION.

Printed on 24 Oct 2023 09:51 (Eastern Standard Time) from TE354946