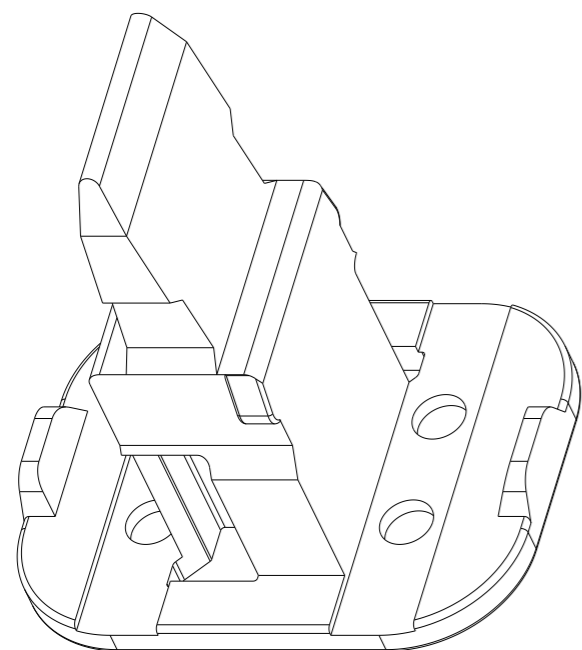
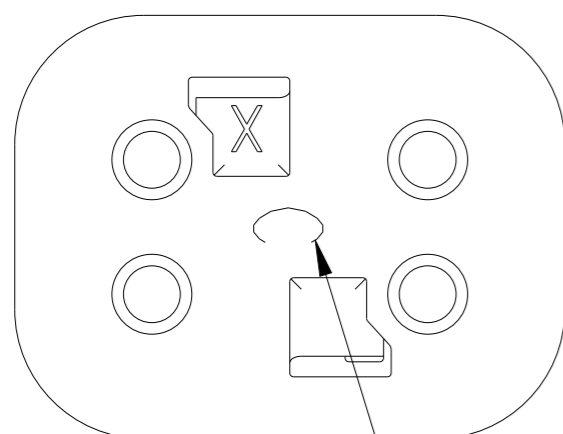
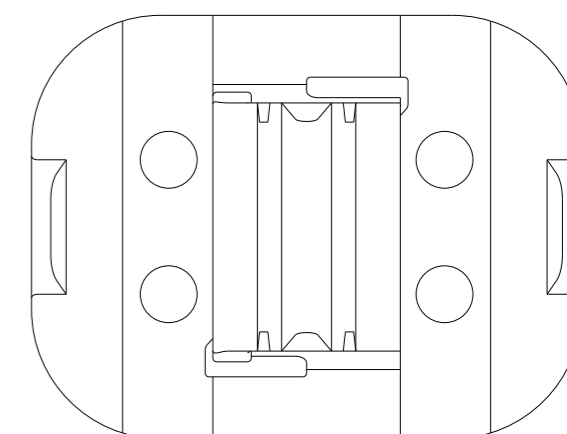
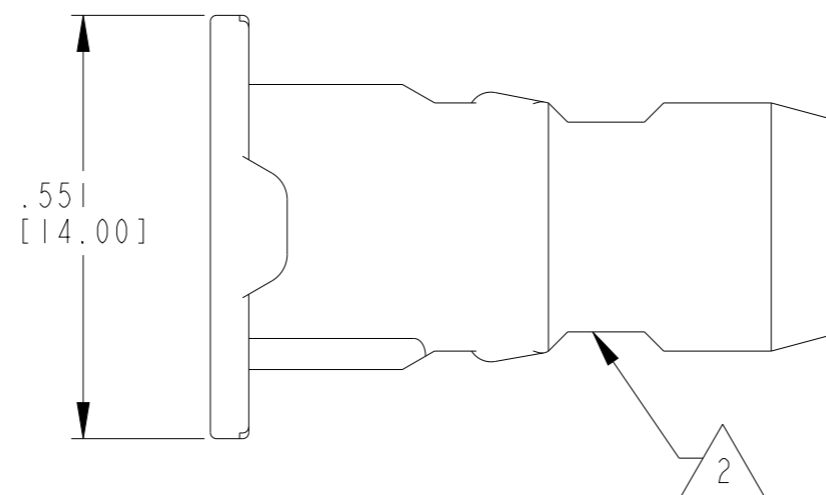
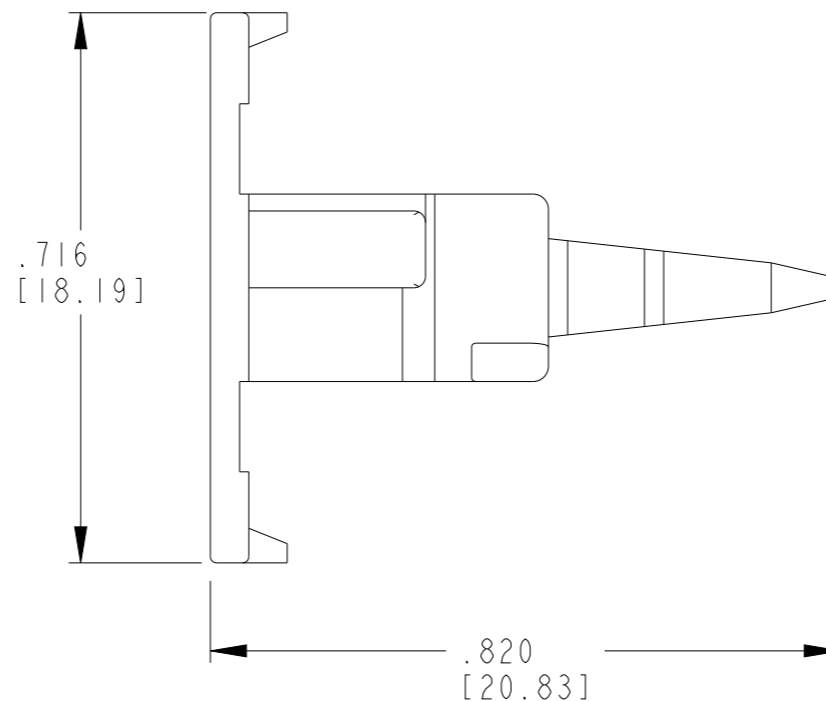


P	LTR	DESCRIPTION	DATE	DWN	APVD
	C	REVISED PER PCN-23-190134	29SEP2023	GB	CB



**3D VIEW**



WEDGE KEY IDENTIFICATION

2. CUTOUT FEATURE OPTIONAL, 2 PLACES.

1. THIS WEDGE LOCK IS UTILIZED BY DT06-4S-XXXX.  
(XXXX = ALL MODIFICATIONS)

THIS DRAWING IS A CONTROLLED DOCUMENT.		DWN S. THESI 27AUG1999															
DIMENSIONS: INCHES [mm]		CHK B. BAYFORD 04APR2011															
TOLERANCES UNLESS OTHERWISE SPECIFIED:		APVD -	NAME WEDGE LOCK -C- KEY POSITION														
<table border="0"> <tr> <td>0 PLC</td> <td>±</td> </tr> <tr> <td>1 PLC</td> <td>±</td> </tr> <tr> <td>2 PLC</td> <td>±</td> </tr> <tr> <td>3 PLC</td> <td>±.025 [0.64]</td> </tr> <tr> <td>4 PLC</td> <td>±</td> </tr> <tr> <td>ANGLES</td> <td>±</td> </tr> </table>		0 PLC	±	1 PLC	±	2 PLC	±	3 PLC	±.025 [0.64]	4 PLC	±	ANGLES	±	PRODUCT SPEC 108-151009	SIZE A3		
0 PLC	±																
1 PLC	±																
2 PLC	±																
3 PLC	±.025 [0.64]																
4 PLC	±																
ANGLES	±																
MATERIAL PBT GF30 GREEN		APPLICATION SPEC 114-151009	CAGE CODE 00779	DRAWING NO C=W4SC-P012-ENV	RESTRICTED TO -												
FINISH -		WEIGHT -	SCALE 4:1														
CUSTOMER DRAWING; RESTRICTED CUSTOMER			SHEET 1 OF 1	REV C													