

4

3

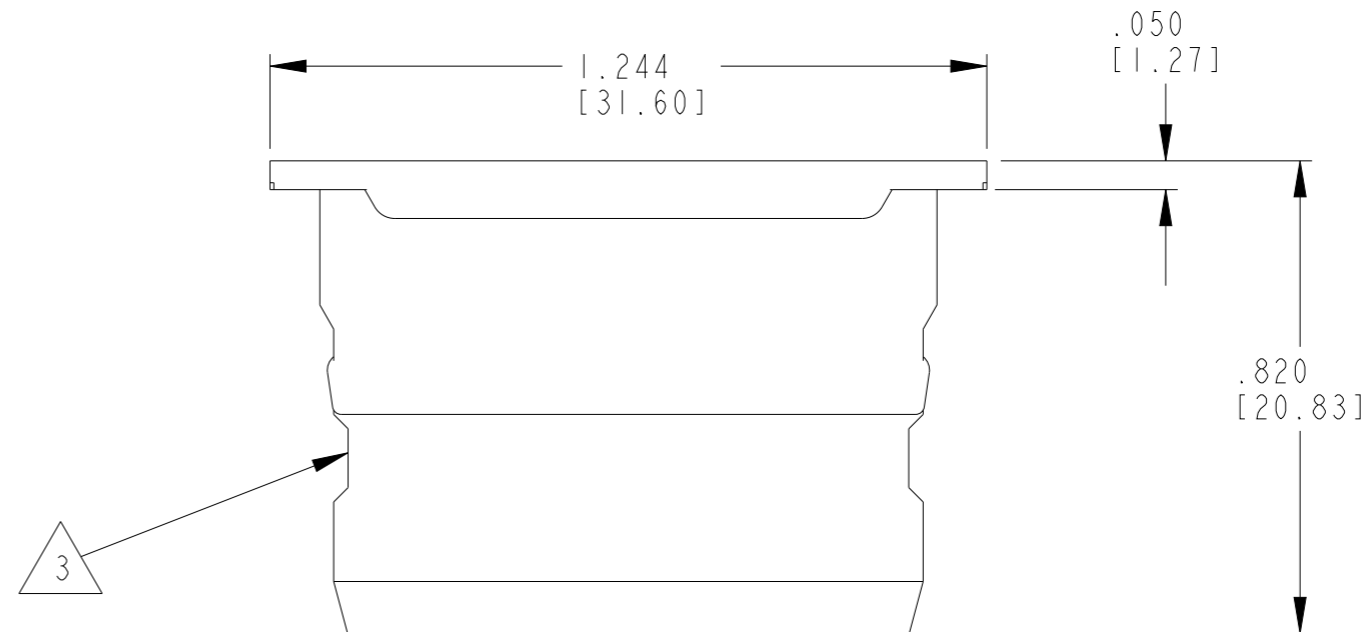
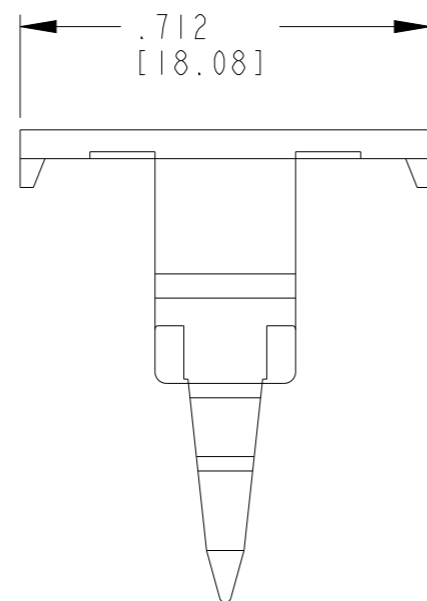
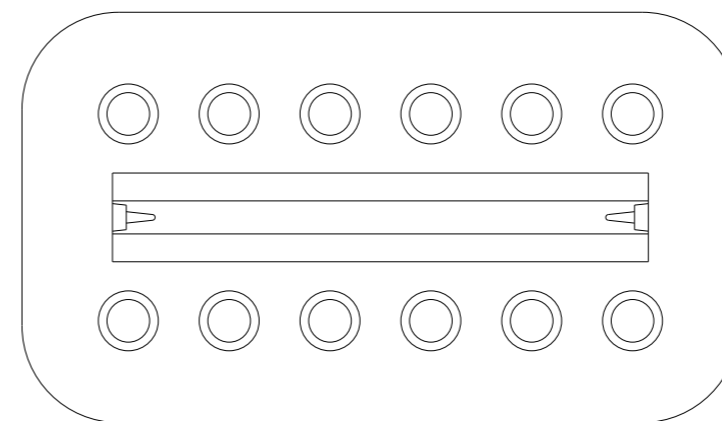
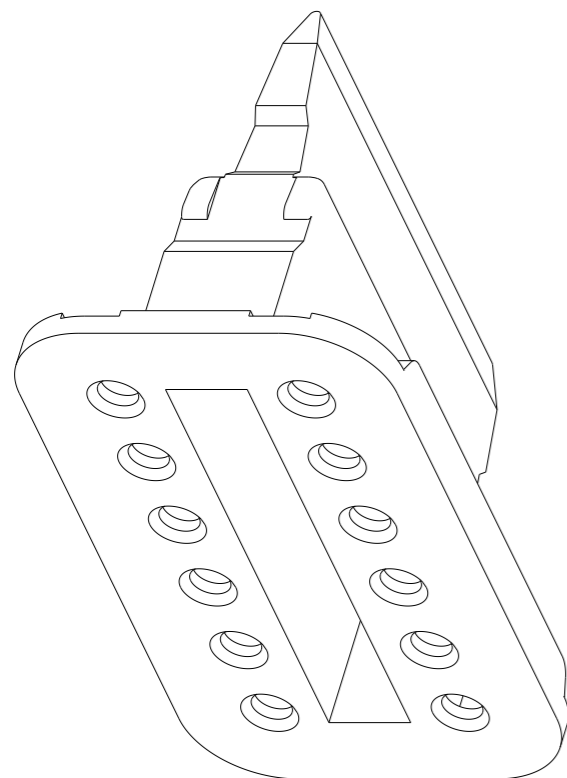
2

1

© 2023 TE Connectivity. All Rights Reserved.

REVISIONS

| P | LTR | DESCRIPTION | DATE | DWN | APVD |
|---|-----|---------------------------|-----------|-----|------|
| | E | REVISED PER PCN-23-190134 | 29SEP2023 | GB | CB |
| | | | | | |
| | | | | | |



3. CUTOUT FEATURE OPTIONAL, 2 PLACES.

2. USED WITH DT06-12SX-XXXX PLUG
(X = A,B,C,D KEY; XXXX = ALL MODIFICATIONS)

1. CONSULT FACTORY FOR APPLICATION.

| | | | | | |
|--|--|--------------------------------|--|---------------------------|--------------------|
| THIS DRAWING IS A CONTROLLED DOCUMENT. | | DWN J. WOODY 08DEC1998 | | | |
| DIMENSIONS: INCHES [mm] | | CHK B. BAYFORD 14NOV2008 | | | |
| TOLERANCES UNLESS OTHERWISE SPECIFIED: | | APVD - | NAME WEDGELOCK FOR 12 WAY PLUG DT SERIES | | |
| | | PRODUCT SPEC 108-151009 | SIZE A3 | | |
| 0 PLC ± 1 PLC ± 2 PLC ± 3 PLC ±.025 [0.63] 4 PLC ± ANGLES ± FINISH - | | APPLICATION SPEC 114-151009 | CAGE CODE 00779 | DRAWING NO G-W12S-P012 | RESTRICTED TO - |
| MATERIAL PBT GF30 GREEN | | WEIGHT 2.627g | SCALE 3:1 | | |
| CUSTOMER DRAWING; RESTRICTED CUSTOMER | | | SHEET 1 | OF 1 | REV E |