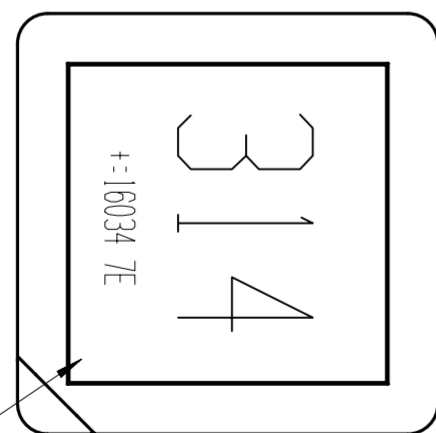
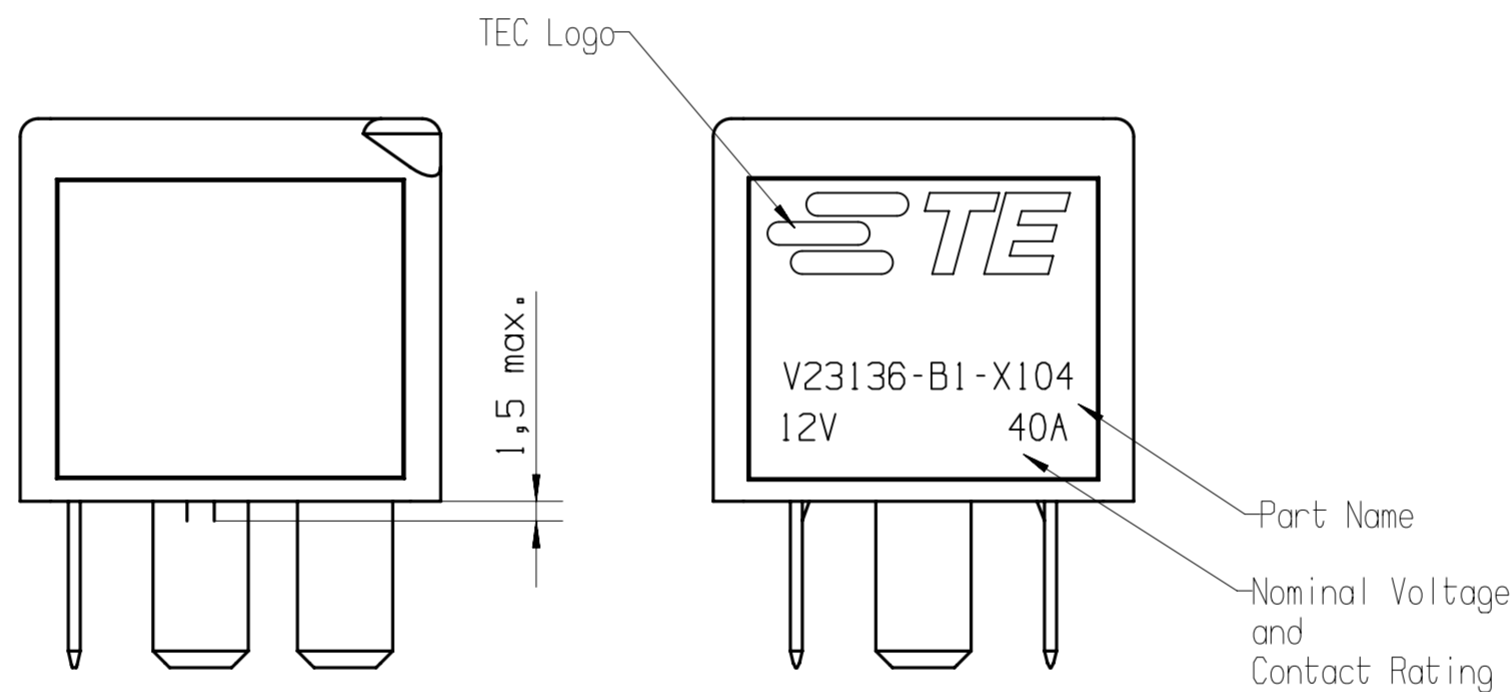
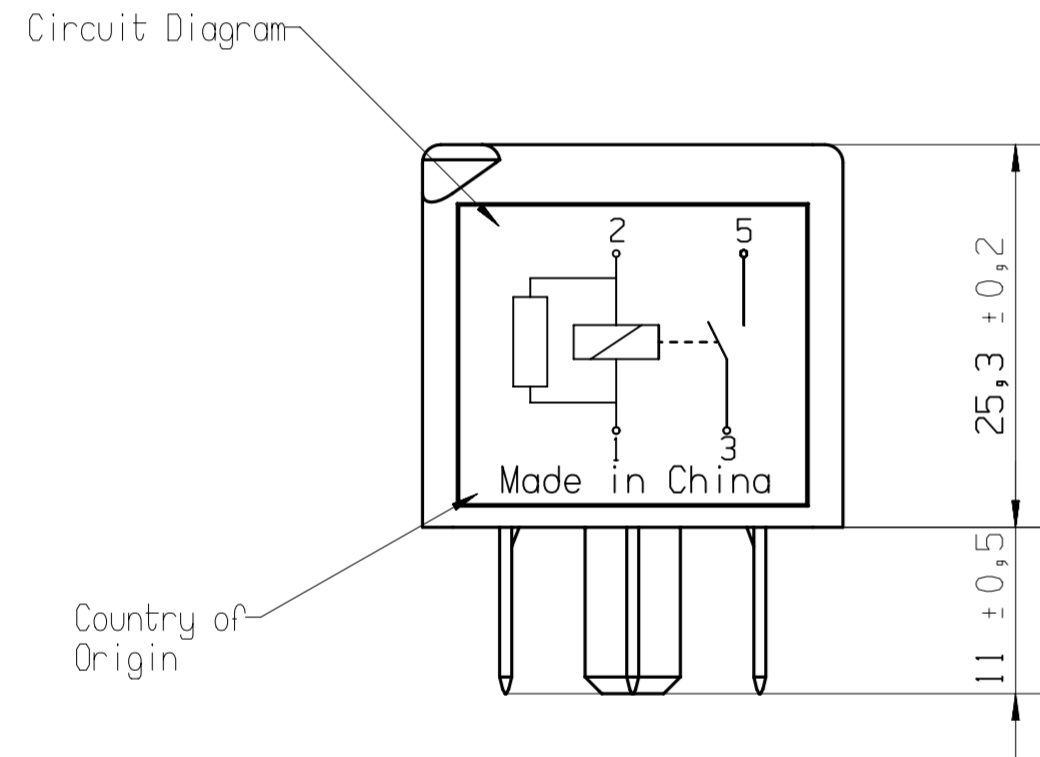


Dustproof:
 Protection class IP 54 to IEC 529 (DIN EN 60529)
 All plug-terminals
 Terminals shape similar to DIN ISO 8092-1
 Coil Terminals 1 and 2: 6.3 mm x 0.8 mm
 Load Terminals 3 and 5: 6.3 mm x 0.8 mm

Integrated Component: Resistor

PART	MATERIAL	COLOUR
Cover	PA 66 GF 25	Black sim. to RAL 9005
Base	PA 66 GF 25	Black sim. to RAL 9005
Coil Terminals 1 and 2	SE-Cu 57...58	Pre-tinned Sn
Load terminals 3 and 5	E-Cu 57...58	Pre-tinned Sn



Date Code: For Example +:16034 7E
 +: = Suzhou
 16 = Year
 03 = Week
 4 = Day
 7 = Assembly Line
 E = Shift

TE P/N	PART NAME
7-1904116-0	V23136B0001X104-SZ-CBOX



PROPRIETARY THE REPRODUCTION, TRANSMISSION OR USE OF THIS DOCUMENT OR IT'S CONTENTS IS NOT PERMITTED WITHOUT EXPRESSED WRITTEN AUTHORITY. OFFENDERS WILL BE LIABLE FOR ALL DAMAGES. ALL RIGHTS, INCLUDING RIGHTS CREATED BY REGISTERED PATENT(S) GRANTED FOR A UTILITY MODEL OR DESIGN, ARE RESERVED.		CHANGES TO THIS DRAWING MUST BE DONE ONLY IN CAD	PAPER SIZE A2
APPLICABLE SPEC.:		FINISH	
DIMENSIONS UNLESS SPECIFIED OTHERWISE		DIMENSIONS APPLY	PLATING
DIMENSIONS IN MM		SCALE 1:1; 2:1	WEIGHT
DATE NAME DWN. 04JUL2016 L.Sandoval		PART NAME POWER RELAY F-A	
APP.		DWG NO. C - V23136-B0001-X104	
REV.		SHT. OF 1 1	
LOCATION PE EVORA		CUSTOMER DRAWING	
BI Initial Release 12APR2017 L.Sand	B --- 20DEC2016 L.Sand	STE connectivity	
A --- 05JUL2016 L.Sand	REV. CHANGE ORDER DATE APP.	10 11 12	