

Technical Data

Construction

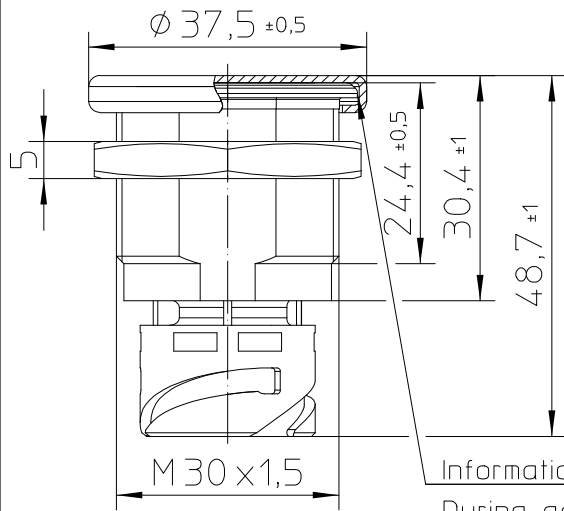
Socket material.....PA black
 Button material PA white illuminated
 protective cap material..... TF5THT B102
 Protection interiorIP6K9K IEC 60529
 connector..... IP00 IEC 60529
 Max. torquemax. 5 Nm
 Weightapprox. 35g

Mechanical Data

Pre travel1,5±0,5mm
 Total travel2,5+0,5mm
 Operating force 9-15N
 Current carrying parts Cu-alloy
 Contact materialAg-alloy
 Mechanical life.....100 000 cycles
 Temperature Range-40°C to +70°C

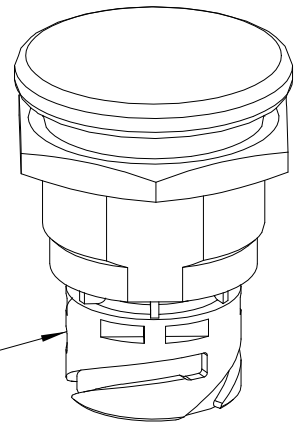
Electrical Data

Voltage Range.....9VDC to 32VDC
 Electrical load.....10mA to 5A

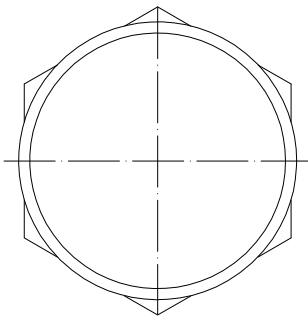


Information:

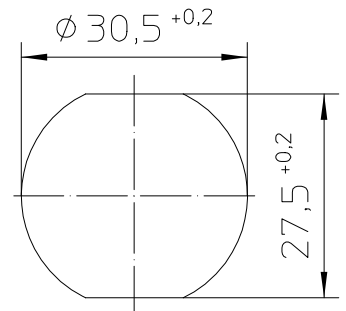
During assemble of the nut,
 the cap has to be pressed
 to avoid an air gap
 between the cover and push button.



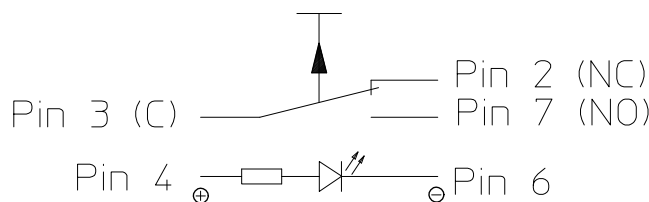
plug and socket device
 6-pol in accordance to
 DIN 72585 / ISO 15170



Mounting Dimensions



Circuit Diagram



For this drawing we reserve the copyright in accordance with DIN ISO 16016

	Date	Name
Create	05.06.2019	Mielk
Edited	06.06.2019	Nonne
Check	06.06.2019	Baumg

mm ↔	Scale 1:1
General Tolerances DIN ISO 2768 cL	



Drawing No:	TS-211-WS12 918
NSN:	