

Technical Data

Construction

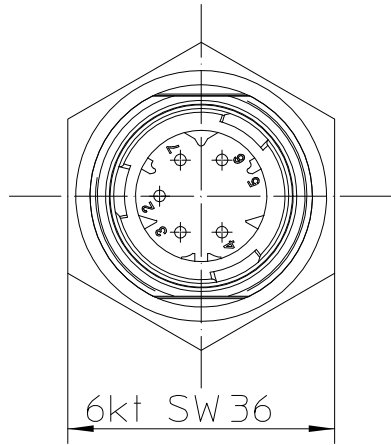
Socket material.....PA black
 Button materialPMMA green illuminated
 Protection interiorIP6K9K IEC 60529
 connectorIP00 IEC 60529
 Max. torque max. 5 Nm
 Weight approx. 28g

Mechanical Data

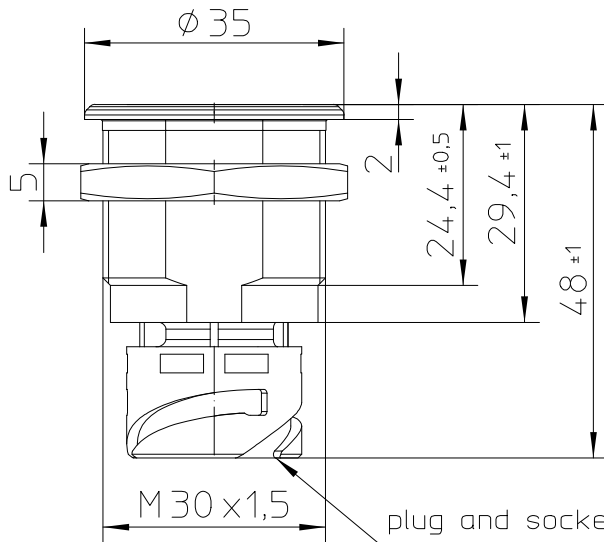
Pre travel1,5±0,5mm
 Total travel2,5±0,5mm
 Operating force30-45N
 Current carrying partsCu-alloy
 Contact material.....Ag-alloy
 Mechanical life100 000 cycles
 Temperature Range.....-40°C to +90°C

Electrical Data

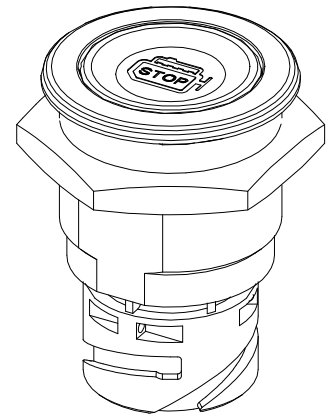
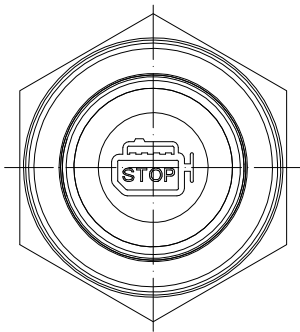
Voltage Range9VDC to 32VDC
 Electrical load.....10mA to 5A



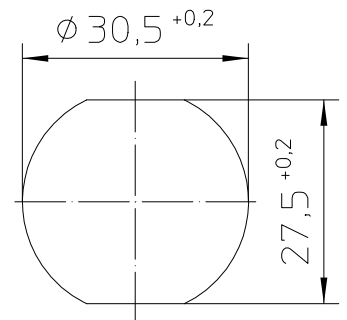
6kt SW36



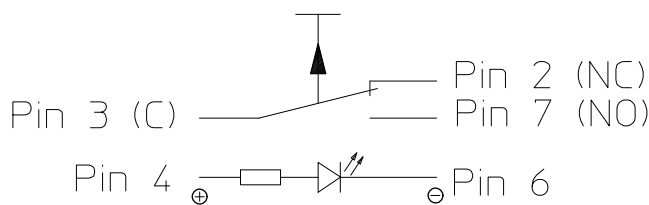
plug and socket device
 6-pol in accordance to
 DIN 72585 / ISO 15170



Mounting Dimensions



Circuit Diagram



For this drawing we reserve the copyright in accordance with DIN ISO 16016

	Date	Name
Create	13.01.2012	Drech
Edited	20.02.2019	Hamar
Check	25.02.2019	Baumg

mm ↔	Scale 1:1
General Tolerances DIN ISO 2768 cL	



Drawing No:

TS-211-GN62

NSN: