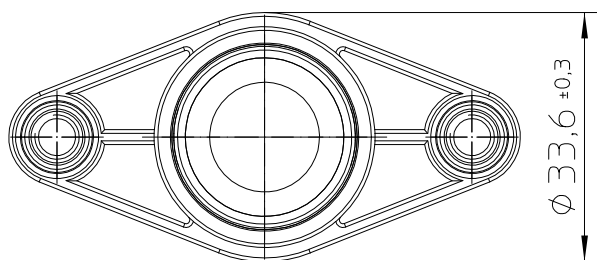


plug and socket device  
6-pol in accordance to  
DIN 72585 / ISO 15170



## Technical Data

### Construction

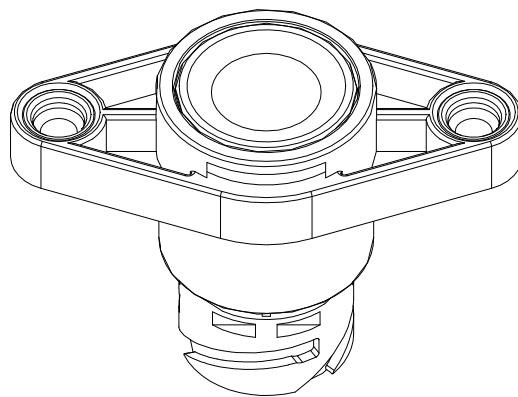
Socket material ..... PA black  
 Button material ..... PMMA black  
 Protection interior..... IP6K9K IEC 60529  
 connector..... IP00 IEC 60529  
 Max. torque ..... max. 7 Nm  
 Weight ..... 34g

### Mechanical Data

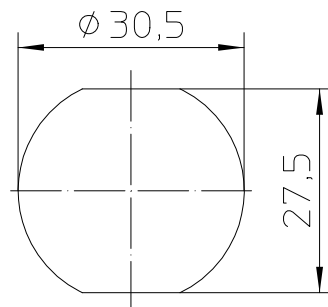
Pre travel ..... 1.5±0.5mm  
 Total travel ..... 2.5±0.5mm  
 Operating force ..... 30 to 45N  
 Current carrying parts ..... Cu-alloy  
 Contact material ..... Ag-alloy  
 Mechanical life ..... 100 000 cycles  
 Temperature Range ..... -40°C to +90°C

### Electrical Data

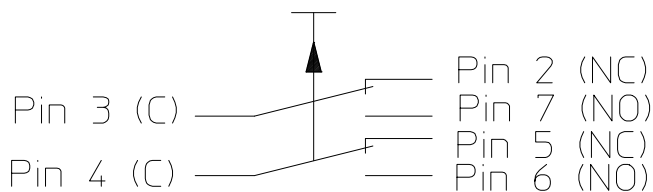
Voltage Range ..... 9VDC to 32VDC  
 Electrical load ..... 10mA to 5A



### Mounting Dimensions



### Circuit Diagram



For this drawing we reserve the copyright in accordance with DIN ISO 16016

	Date	Name
Create	28.09.2016	Hamar
Edited	13.02.2019	Hamar
Check	18.02.2019	Baumg

mm	Scale
↔	1:1
General Tolerances DIN ISO 2768 cL	



Drawing No:	TS-121-SW11
NSN:	