

NOTES:

General Note:

1. All assemblies must be 100% tested for VSWR
2. No component substitutions are permitted

Mechanical Note:

1. Overall Height: 84 mm from G.P.
2. Weight: 5.25 oz
3. IP Rating: IP67
4. Operating temp: -30C to +80C
5. Color: Black
6. Mounting: Permanent Mount (See "Recommended Mounting Conditions")
7. Installation Torque: 4 - 6 ft*lbs on Nut

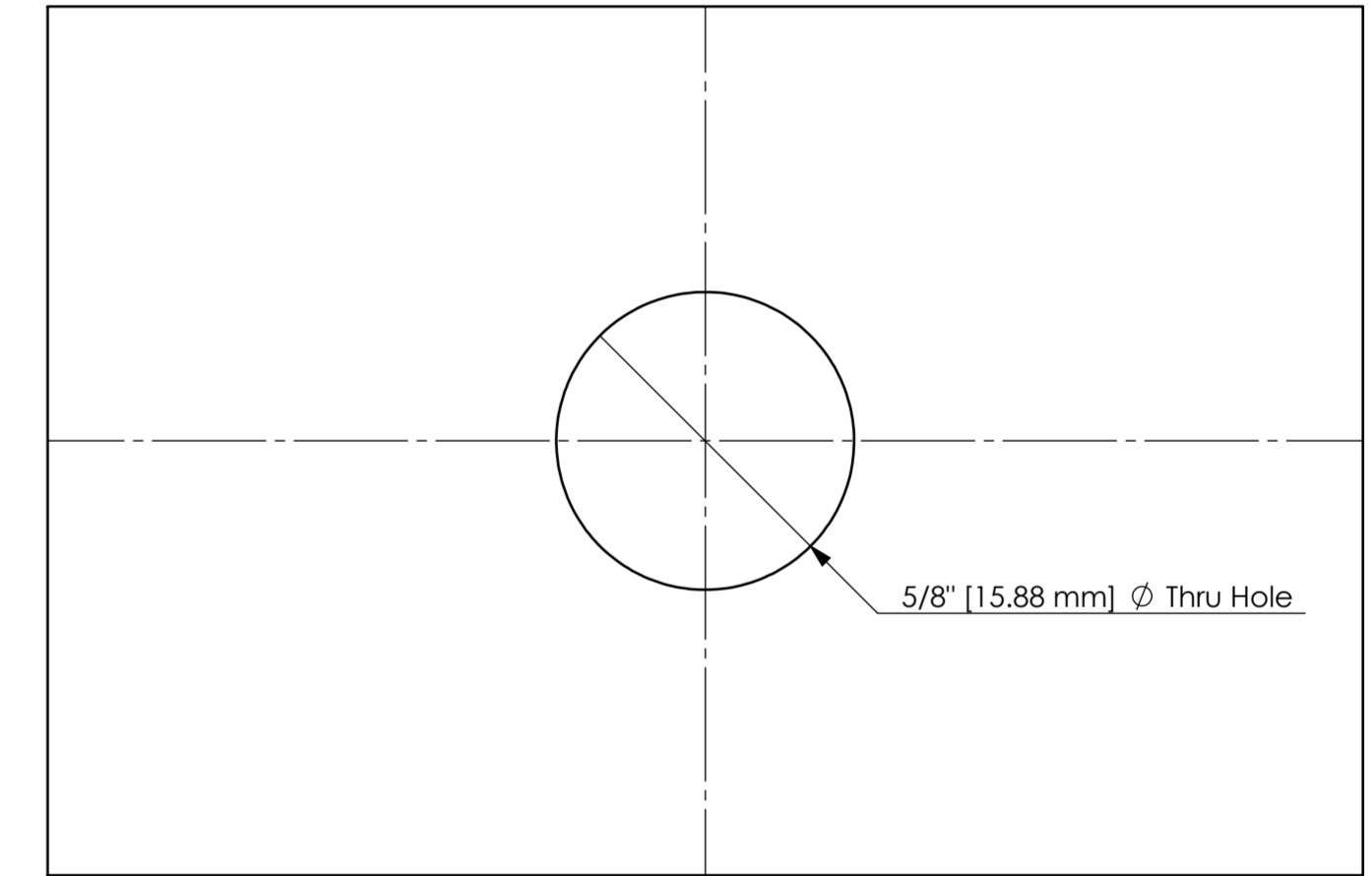
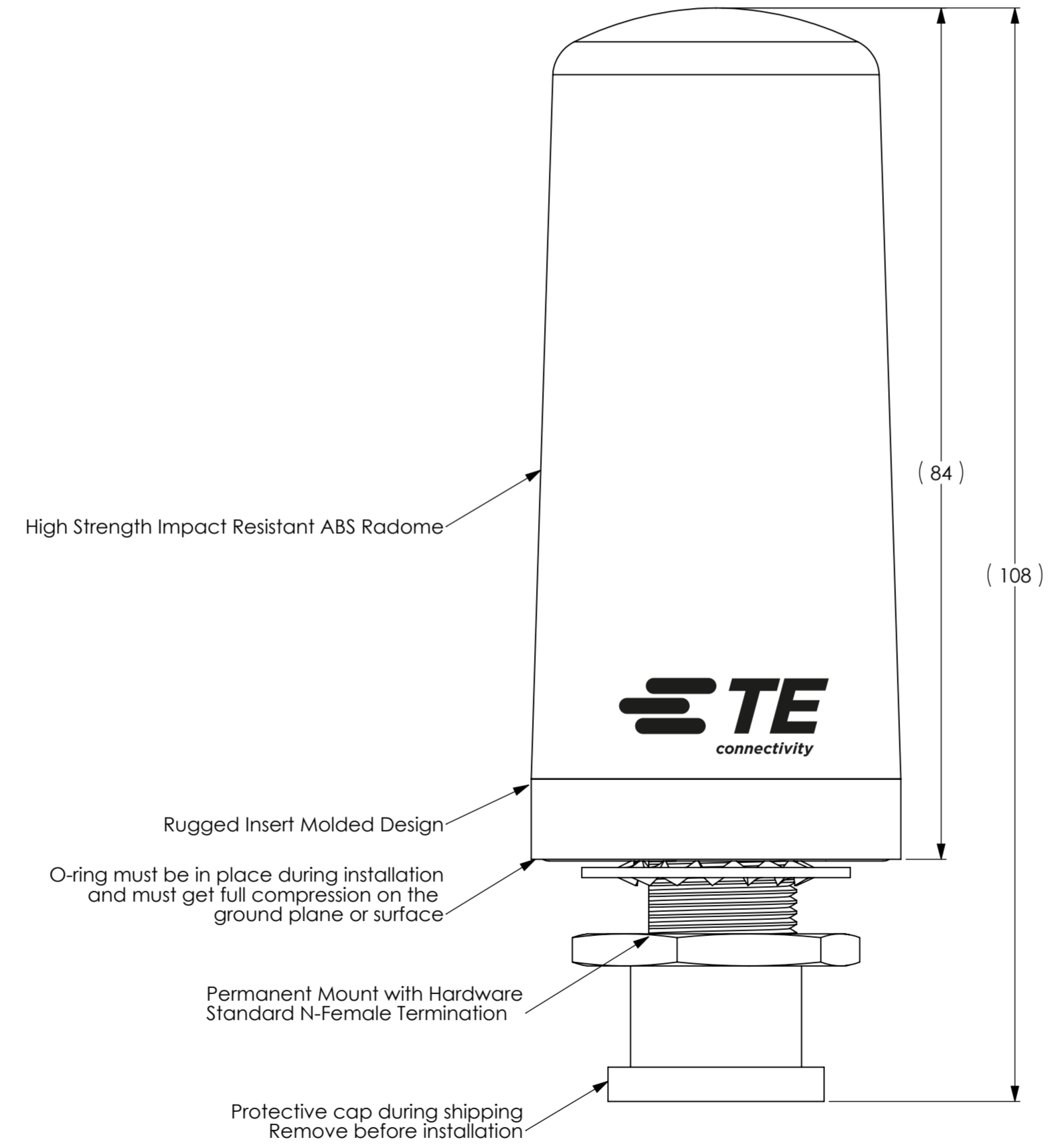
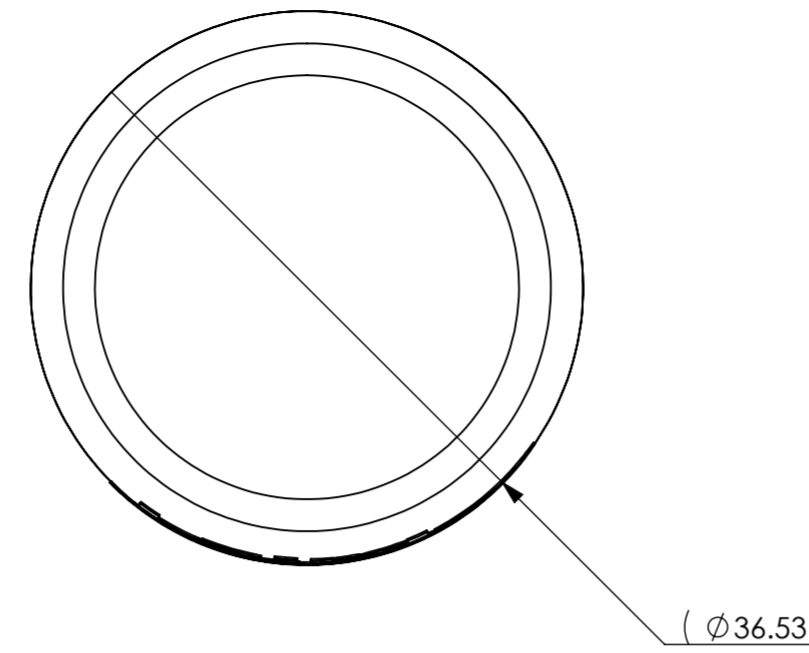
Electrical Note:

1. Frequency Range: 698 - 960 MHz; 1710 - 2700 MHz
2. VSWR: ≤2.3:1@698MHz, ≤2:1 @1710MHz
3. Nominal Impedance: 50 OHM
4. Gain (dBi): 3 dBi
5. Polarization: Vertical
6. Pattern: Omnidirectional
7. Ground Plane: Tested on 2' x 2' G.P.

Packaging Note:

1. TE Part Number: TRA6927M3PB-001
2. Package: S1136
3. Units per Package: 1
4. Package Label: Printed Bag
5. Box: N/A
6. Units per Box: N/A
7. Box Label: N/A

REVISIONS					
ZONE	REV.	DESCRIPTION	DATE	DRAWN BY	ECR NUMBER
	A	Initial Release	1/26/2012	BPH	N/A
B-2	B	Frequency Range was 698-896 MHz	25APR14	RLS	ECN 2365



Recommended Mounting Conditions:
Metallic surface should be as flat and clean as possible
Hole should be centered as much as possible



THIS DRAWING IS UNPUBLISHED.	RELEASED FOR PUBLICATION	- . - .
© Copyright 2022 TE Connectivity Ltd.		ALL RIGHTS RESERVED.

MATERIAL: N/A		THIRD ANGLE PROJECTION			
FINISH: N/A		INTERPRET DIMENSIONING AND TOLERANCING IN ACCORDANCE WITH ASME Y14.5M-1994			
APPROVALS	DATE	DO NOT SCALE DRAWING		TITLE:	
ME: S. SAFVI	25APR14	TOLERANCES UNLESS OTHERWISE SPECIFIED		OMNI, Ph, 698/1710 MHz, 3 dBi, 100W, PMNT	
RF: R. HARO	25APR14	DIMENSIONS ARE IN MILLIMETERS		SIZE	DWG NO.
EM:		ANGLE: ±30'		A2	TRA6927M3PB-001 - MO
Prod:		0 PLACE DECIMAL: ±0.5			REV
		1 PLACE DECIMAL: ±0.25			B
		2 PLACE DECIMAL: ±0.13			
WEIGHT:	PREVIOUS#	SCALE:	SHEET 1 OF 1		