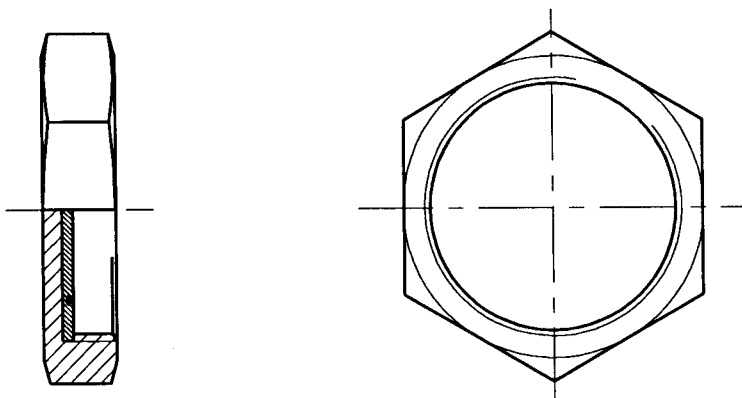


ISSUE	DESCRIPTION	DRAWN	DATE	APPR
A	INITIAL ISSUE	IRT	JAN 97	KJW



TCFS - CAP

NOTES

1. THIS PRODUCT IS DESIGNED TO FIT ONTO THE TCFR/TCFS FEEDTHROUGH RANGES.
2. SEE SHEET 2 FOR TABLE OF DIMENSIONS, PART NUMBERING SYSTEM AND ORDERING INFORMATION.
3. ASSEMBLY TO BE BAGGED AND LABELLED WITH CODE IDENTIFICATION NUMBER AND PART NUMBER, (e.g. 06090 TCFS-24-62C-CAP).
4. FOR ALTERNATIVE MATERIALS/FINISHES - CONTACT RAYCHEM.

SPECIFICATION CONTROL DRAWING

Raychem

RAYCHEM LIMITED
FARADAY ROAD
DORCAN, SWINDON, SN3 5HH
WILTS. ENGLAND

DO NOT SCALE
THIS DRAWING

THIS DRAWING AND THE INFORMATION SET FORTH HEREON ARE THE PROPERTY OF RAYCHEM AND ARE TO BE HELD IN TRUST AND CONFIDENCE. PUBLICATION, DUPLICATION, DISCLOSURE OR USE FOR ANY OTHER PURPOSE NOT EXPRESSLY AUTHORISED IN WRITING BY RAYCHEM IS PROHIBITED.

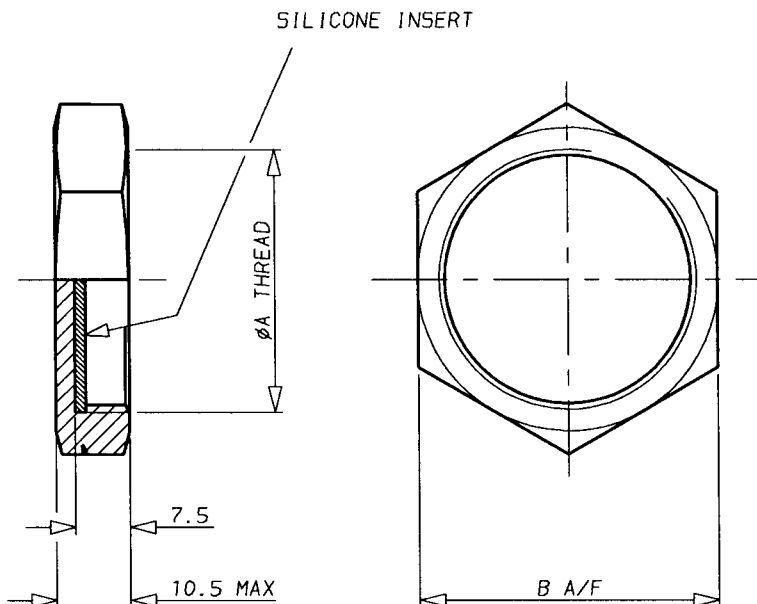
TITLE
TCFS CAP

DRAWN	IRT	DATE	JAN 97
CHECKED	KJW		JAN 97
APPROVED	KJW		JAN 97
PROJECT NO	85013		

CODE IDENT	DRAWING NUMBER	ISSUE
NUMBER	TCFS-**-***-CAP	A
06090	SHEET 1 OF 2	

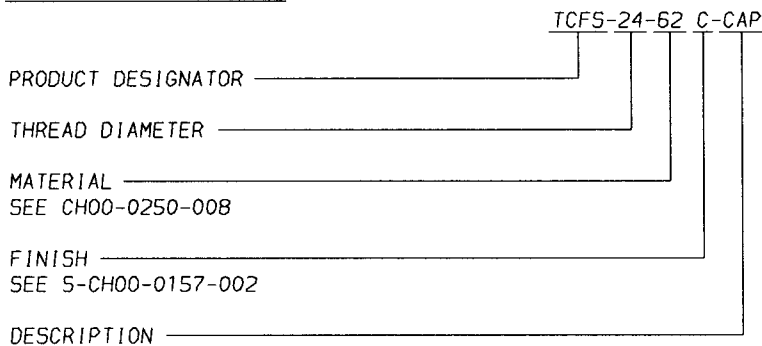
TCFSCAP-SCD-1

ISSUE	DESCRIPTION	DRAWN	DATE	APPR
A	INITIAL ISSUE	IRT	JAN 97	KJW



PART NUMBER	ϕA THREAD RH CLASS 6H	B A/F NOM
TCFS-12-***-CAP	M12 x 1.5	17.00
TCFS-16-***-CAP	M16 x 1.5	22.25
TCFS-20-***-CAP	M20 x 1.5	27.00
TCFS-24-***-CAP	M24 x 1.5	30.50
TCFS-30-***-CAP	M30 x 1.5	36.00
TCFS-36-***-CAP	M36 x 1.5	41.25
TCFS-48-***-CAP	M48 x 1.5	55.00

PART NUMBERING SYSTEM



SPECIFICATION CONTROL DRAWING

Raychem

RAYCHEM LIMITED
FARADAY ROAD
DORCAN, SWINDON, SN3 5HH
WILTS. ENGLAND

DO NOT SCALE
THIS DRAWING

THIS DRAWING AND THE INFORMATION SET FORTH HEREON ARE THE PROPERTY OF RAYCHEM AND ARE TO BE HELD IN TRUST AND CONFIDENCE. PUBLICATION, DUPLICATION, DISCLOSURE OR USE FOR ANY OTHER PURPOSE NOT EXPRESSLY AUTHORISED IN WRITING BY RAYCHEM IS PROHIBITED.

TITLE
TCFS CAP

DRAWN	IRT	DATE JAN 97
CHECKED	KJW	JAN 97
APPROVED	KJW	JAN 97
PROJECT NO	B5013	

CODE IDENT NUMBER	DRAWING NUMBER TCFS-**-***-CAP	ISSUE A
06090	SHEET 2 OF 2	