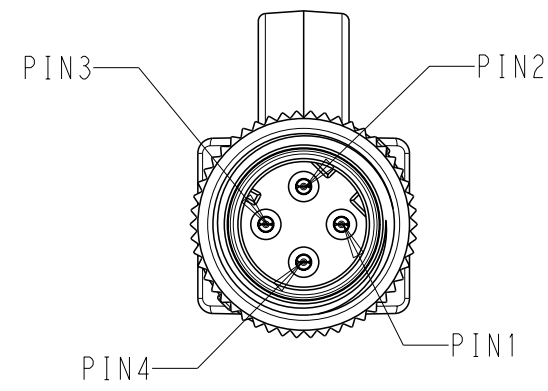
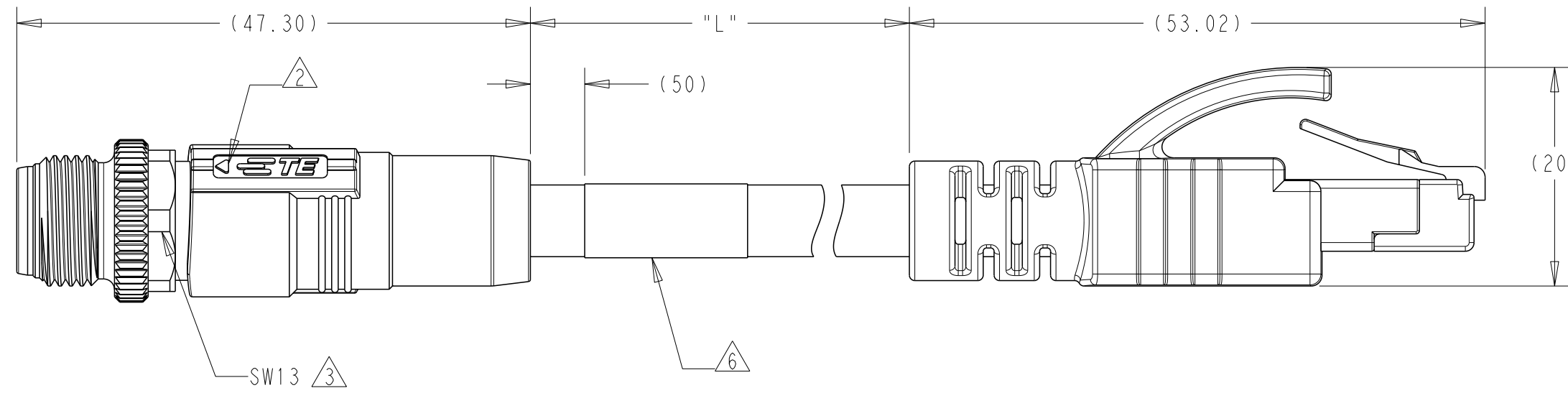


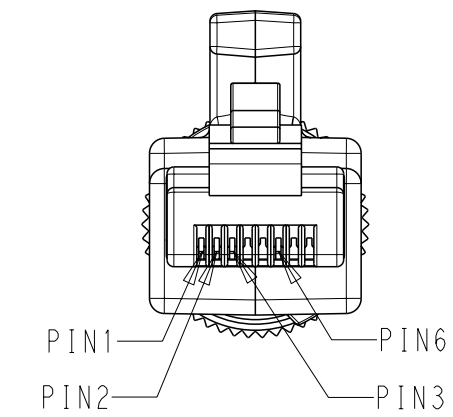
REVISIONS					
P	LTR	DESCRIPTION	DATE	DWN	APVD
A		INITIAL VERSION RELEASE	22SEP2020	F.Y	C.W
A1		PER ECR-21-001399	08FEB2021	F.Y	C.W
A2		PER ECR-22-152326 ADD RATED PARAMETERS	26SEP2022	F.Y	C.W
A3		ECR-23-177943 ADD PIN ARRANGEMENT	12JUN2023	F.Y	C.W



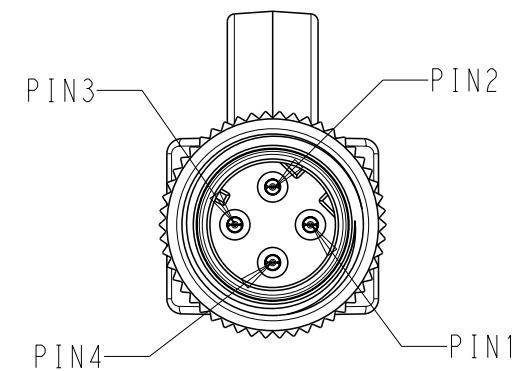
M12 D CODE, MALE PLUG



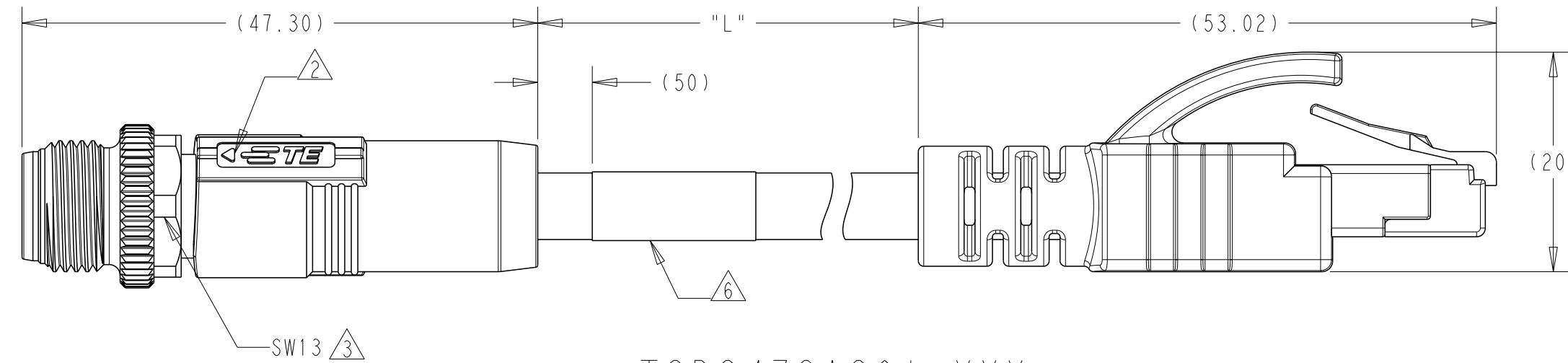
TCD1473A201-XXX



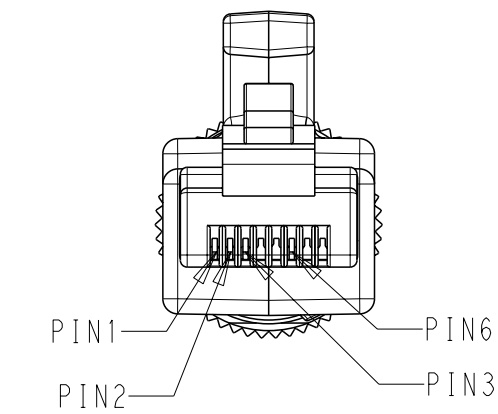
RJ45 PLUG



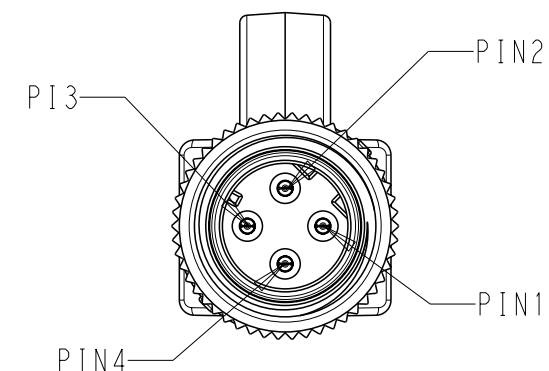
M12 D CODE, MALE PLUG



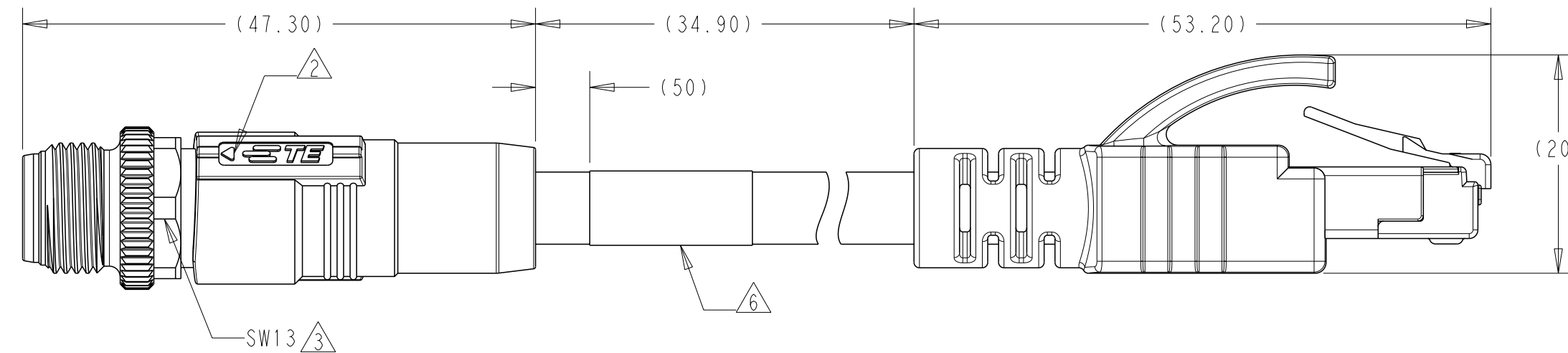
TCD2473A201-XXX



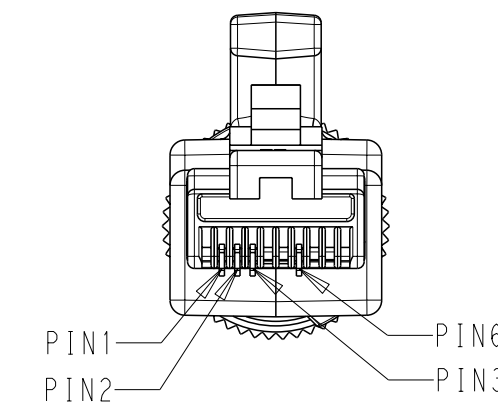
RJ45 PLUG



M12 D CODE, MALE PLUG



TCD14745101-XXX  
TCD14741111-XXX



RJ45 PLUG

NOTE:

1. TECHNICAL DATA: SEE TABLE 1
- ②. CODE POSITION INDICATOR.
- ③. RECOMMENDED TORQUE 0.6NM
- ④. -\*: CABLE LENGTH, FOR EXAMPLE: -0.5M
5. CABLE ASSEMBLY TO BE PACKAGED AS PACKAGING SPECIFICATION
- ⑥. LABEL CONTAINS: PN, DATE CODE...
- ⑦. -XXX: FOR CABLE LENGTH, SEE TABLE 2 AND REFER TO LENGTH "L"

注释:

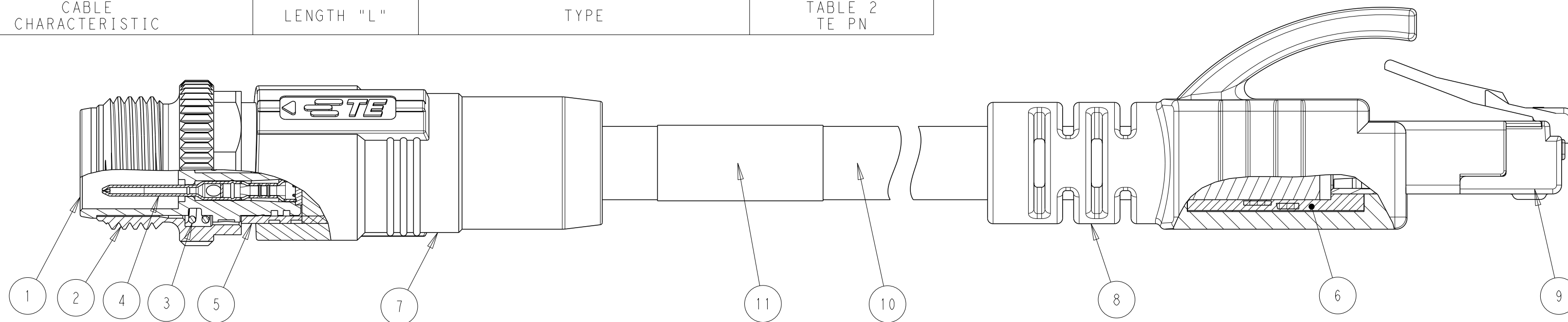
1. 技术参数: 参考表 1
- ②. CODE位置指示
- ③. 推荐扭力 0.6NM
- ④. -\*: 线缆长度 例如: -0.5M
5. 线缆组件按照包装规范包装;
- ⑥. 标签包含: 产品编号, 日期代码...
- ⑦. -XXX: 线缆长度, 参考表2, 参照长度 "L".

THIS DRAWING IS A CONTROLLED DOCUMENT.		DWN FENCER YU 22SEP2020	TE Connectivity	
DIMENSIONS: mm		CHK CHRIS WANG 22SEP2020		
TOLERANCES UNLESS OTHERWISE SPECIFIED:		APVD CHRIS WANG 22SEP2020	NAME M12 D CODE STRAIGHT PLUG 4P TO RJ45 STRAIGHT PLUG	
0 PLC ±-		PRODUCT SPEC 108-137541	SIZE A2	
1 PLC ±-		APPLICATION SPEC 114-137144	CAGE CODE 00779	DRAWING NO G-TCDX47XXXX1XXX
2 PLC ±-		WEIGHT -	RESTRICTED TO -	
3 PLC ±-		CUSTOMER DRAWING	SCALE 2:1	SHEET 1 OF 3
4 PLC ±-			REV A3	
ANGLES ±-				
FINISH				

P	LTR	DESCRIPTION	DATE	DWN	APVD
		SEE SHEET 1			

CABLE CHARACTERISTIC	LENGTH "L"	TYPE	TABLE 2 TE PN
INDUSTRIAL ETHERNET CAT5E UNSHIELDED TPE CABLE, TEAL: WIRES: 2PRX24AWG WIRE COLOR: PAIR1-WHITE/ORANGE PAIR2-WHITE/GREEN OD: APPROX. 6.10MM TEMPERATURE RATING: 80°C UL OPERATING TEMP RATING: -40°C To +80°C	LENGTH STANDARD: -001: 0.5M -002: 1.0M -003: 1.5M -004: 3.0M -005: 5.0M -006: 7.0M -007: 10.0M	M12D4-MS-RJ-TPE-24UNSH-TEAL-** $\triangle$	TCD2473A201-XXX $\triangle$
INDUSTRIAL ETHERNET CAT5E SHIELDED TPE CABLE, TEAL: WIRES: 2PRX24AWG WIRE COLOR: PAIR1-WHITE/ORANGE PAIR2-WHITE/GREEN OD: APPROX. 6.60MM TEMPERATURE RATING: 80°C UL OPERATING TEMP RATING: -40°C To +80°C	CUSTOMIZATION: -99X: 0.XM (<1M) (-993: 0.3M) -XXX: XX.XM (>1M) (-155: 15.5M)	M12D4-MS-RJ-TPE-24SH-TEAL-** $\triangle$	TCD1473A201-XXX $\triangle$
INDUSTRIAL ETHERNET PROFINET TYPE B CAT5E SHIELDED PVC CABLE, GREEN: WIRES: 1X4X22AWG WIRE COLOR: WHITE/YELLOW/BLUE/ORANGE OD: APPROX. 6.5MM TEMPERATURE RATING: 80°C UL OPERATING TEMP RATING: -40°C To +80°C	TOLERANCE: 0-1M: ±0.05M 1-3M: ±0.1M >3M: ±1.5%	M12D4-MS-RJ-PVC-22SH-TYPE B GREEN-** $\triangle$	TCD14741111-XXX $\triangle$
INDUSTRIAL ETHERNET PROFINET TYPE C CAT5E SHIELDED PUR CABLE, GREEN: WIRES: 1X4X22AWG WIRE COLOR: WHITE/YELLOW/BLUE/ORANGE OD: APPROX. 6.65MM TEMPERATURE RATING: 80°C UL OPERATING TEMP RATING: -30°C To +70°C		M12D4-MS-RJ-PUR-22SH-TYPE C GREEN-** $\triangle$	TCD14745101-XXX $\triangle$

NOTES 备注	MATERIAL 材质	DESCRIPTION 描述	ITEM 序号	TCD14745101-XXX	TCD14741111-XXX	TCD1473A201-XXX	TCD2473A201-XXX
		LABEL	11	1	1	1	1
	PUR/PVC/TPE	CABLE	10	1	1	1	1
GOLD PLATED	-	RJ45 PLUG	9	1	1	1	1
BLACK	TPU/PVC	OUTER OVER MOLDING FOR RJ45 PLUG	8	1	1	1	1
BLACK	TPU/PVC	OUTER OVER-MOLDING FOR M12 D CODE	7	1	1	1	1
-	PE	INNER OVER MOLDING FOR RJ45 PLUG	6	1	1	1	1
NICKEL PLATED	COPPER ALLOY	MALE STRAIGHT SHELL	5	1	1	1	-
GOLD PLATED	COPPER ALLOY	MALE CONTACT	4	4	4	4	4
-	SUS	SPRING	3	1	1	1	1
NICKEL PLATED	COPPER ALLOY	M12, MALE NUT	2	1	1	1	1
BLACK	NYLON	M12, MALE HSG, D CODE, 4P	1	1	1	1	1



PIN ARRANGEMENT

SHIELDED		UNSHIELDED
TCD14745101-XXX TCD14741111-XXX: USE PUR AND PVC SHIELDED CABLE	TCD1473A201-XXX USE TPE SHIELDED CABLE	TCD2473A201-XXX USE TPE UNSHIELDED CABLE
<p><b>CIRCUIT DIAGRAM</b></p> <p>M12                      RJ45</p> <p>SHIELD</p>	<p><b>CIRCUIT DIAGRAM</b></p> <p>M12                      RJ45</p> <p>SHIELD</p>	<p><b>CIRCUIT DIAGRAM</b></p> <p>M12                      RJ45</p>

TABLE 1 TECHNICAL DATA	
RATED VOLTAGE	150V 30V(UL)
RATED CURRENT	1.5A 0.5A(UL)
POLLUTION DEGREE	3
OVERVOLTAGE CATEGORY	II
MATERIAL GROUP	II
INSULATION RESISTANCE	100MΩ
DEGREE OF PROTECTION(M12)	IP67
DEGREE OF PROTECTION(RJ45)	IP20
OPERATION TEMPERATURE	M12 D CODE: -40°C~85°C
	RJ45 PLUG: -25°C~60°C
	CABLE REFER TO TABLE 2

THIS DRAWING IS A CONTROLLED DOCUMENT.

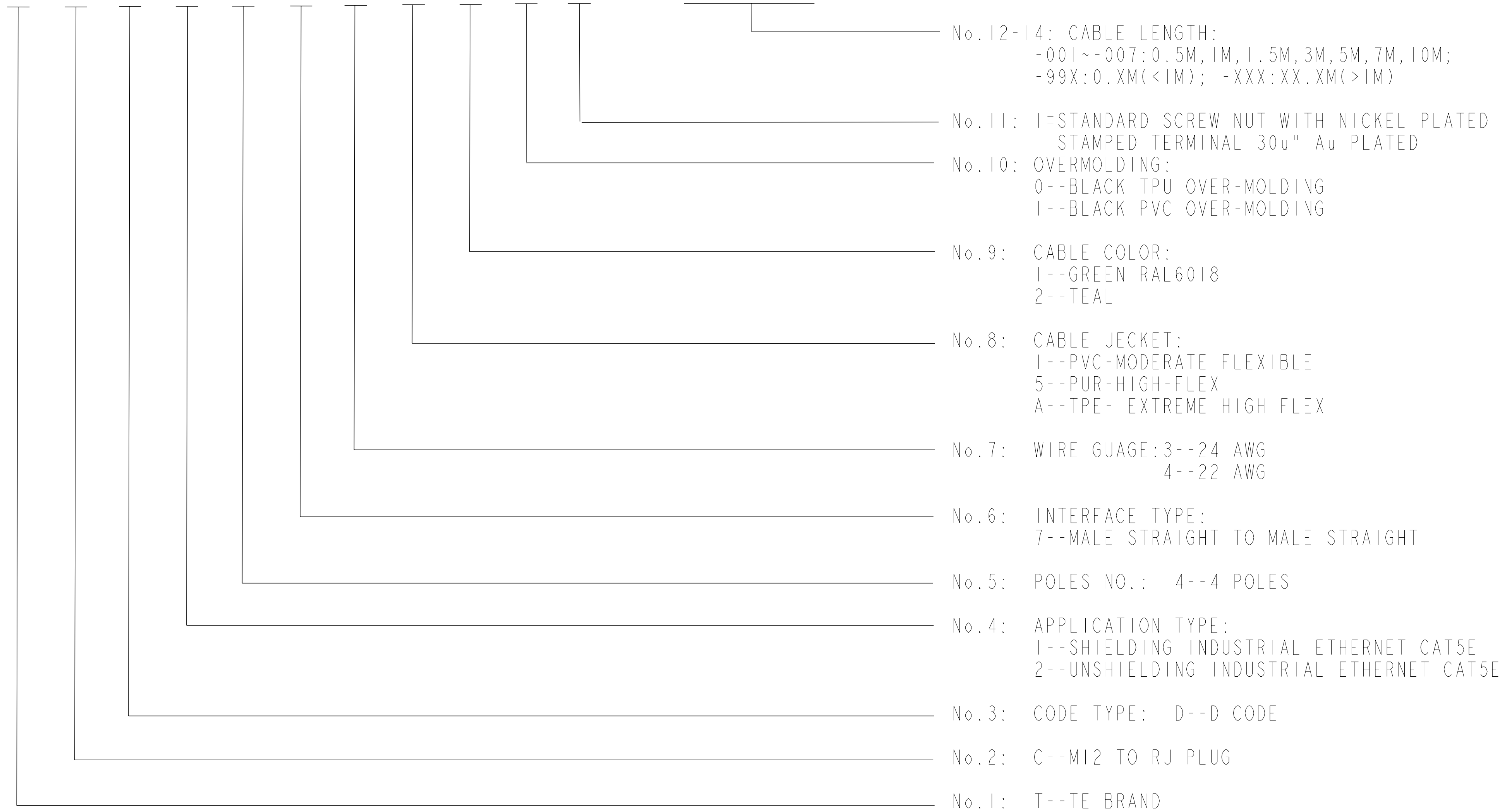
DIMENSIONS: mm	TOLERANCES UNLESS OTHERWISE SPECIFIED: 0 PLC ± 1 PLC ± 2 PLC ± 3 PLC ± 4 PLC ± ANGLES ± FINISH	DWN: FENCER YU 22SEP2020 CHK: CHRIS WANG 22SEP2020 APVD: CHRIS WANG 22SEP2020	TE Connectivity
MATERIAL: -		PRODUCT SPEC: 108-137541 APPLICATION SPEC: 114-137144	NAME: M12 D CODE STRAIGHT PLUG 4P TO RJ45 STRAIGHT PLUG
		WEIGHT: -	SIZE: A2    CAGE CODE: 00779    DRAWING NO: C-TCDX47XXXX1XXX    RESTRICTED TO: -
		CUSTOMER DRAWING	SCALE: 2:1    SHEET: 2 OF 3    REV: A3

Printed on 14 Jun 2023 14:18 (China Standard Time) from EG086949

P	LTR	DESCRIPTION	DATE	DWN	APVD
		SEE SHEET 1			

PRODUCT CODE:

T C D X X X X X X X - X X X



No.12-14: CABLE LENGTH:  
 -001~-007:0.5M, 1M, 1.5M, 3M, 5M, 7M, 10M;  
 -99X:0.XM(<1M); -XXX:XX.XM(>1M)

No.11: 1=STANDARD SCREW NUT WITH NICKEL PLATED STAMPED TERMINAL 30u" Au PLATED

No.10: OVERMOLDING:  
 0--BLACK TPU OVER-MOLDING  
 1--BLACK PVC OVER-MOLDING

No.9: CABLE COLOR:  
 1--GREEN RAL6018  
 2--TEAL

No.8: CABLE JACKET:  
 1--PVC-MODERATE FLEXIBLE  
 5--PUR-HIGH-FLEX  
 A--TPE- EXTREME HIGH FLEX

No.7: WIRE GAUGE:3--24 AWG  
 4--22 AWG

No.6: INTERFACE TYPE:  
 7--MALE STRAIGHT TO MALE STRAIGHT

No.5: POLES NO.: 4--4 POLES

No.4: APPLICATION TYPE:  
 1--SHIELDING INDUSTRIAL ETHERNET CAT5E  
 2--UNSHIELDING INDUSTRIAL ETHERNET CAT5E

No.3: CODE TYPE: D--D CODE

No.2: C--M12 TO RJ PLUG

No.1: T--TE BRAND

THIS DRAWING IS A CONTROLLED DOCUMENT.		DWN FENCER YU 22SEP2020	TE Connectivity	
DIMENSIONS: mm		CHK CHRIS WANG 22SEP2020		
TOLERANCES UNLESS OTHERWISE SPECIFIED:		APVD CHRIS WANG 22SEP2020	NAME M12 D CODE STRAIGHT PLUG 4P TO RJ45 STRAIGHT PLUG	
0 PLC ± 1 PLC ± 2 PLC ± 3 PLC ± 4 PLC ± ANGLES ± FINISH		PRODUCT SPEC 108-137541	RESTRICTED TO	
MATERIAL		APPLICATION SPEC 114-137144	SIZE A2	CAGE CODE 00779
		WEIGHT	DRAWING NO C-TCDX47XXXX1XXX	
		CUSTOMER DRAWING	SCALE 2:1	SHEET 3 OF 3
			REV A3	

Printed on 14 Jun 2023 14:18 (China Standard Time) from T6086949