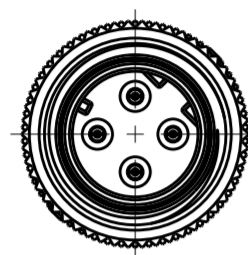


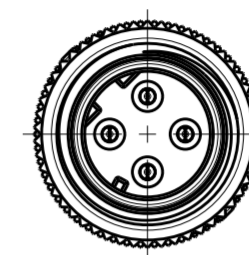
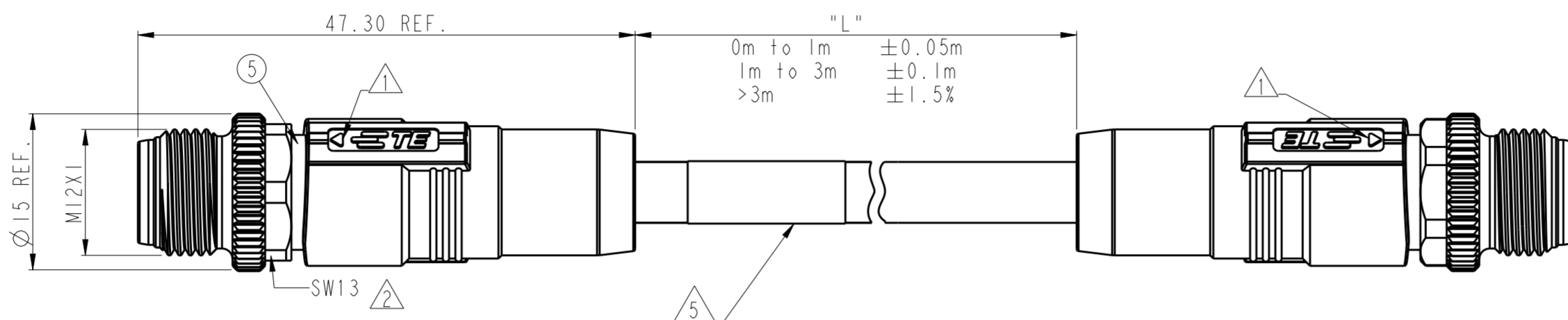
THIS DRAWING IS UNPUBLISHED. RELEASED FOR PUBLICATION 20
 © COPYRIGHT 20 BY - ALL RIGHTS RESERVED.

ITEM	DESCRIPTION	MATERIAL	OTHERS
1	MALE CONTACT	COPPER ALLOY	GOLD PLATED
2	HOUSING	NYLON	BLACK
3	COUPLING NUT	COPPER ALLOY	NICKEL PLATED
4	OVER-MOLDING	TPU/PVC	BLACK
5	SHIELDED SHELL	COPPER ALLOY	NICKEL PLATED
6	CABLE	-	-
7	LABEL	-	-

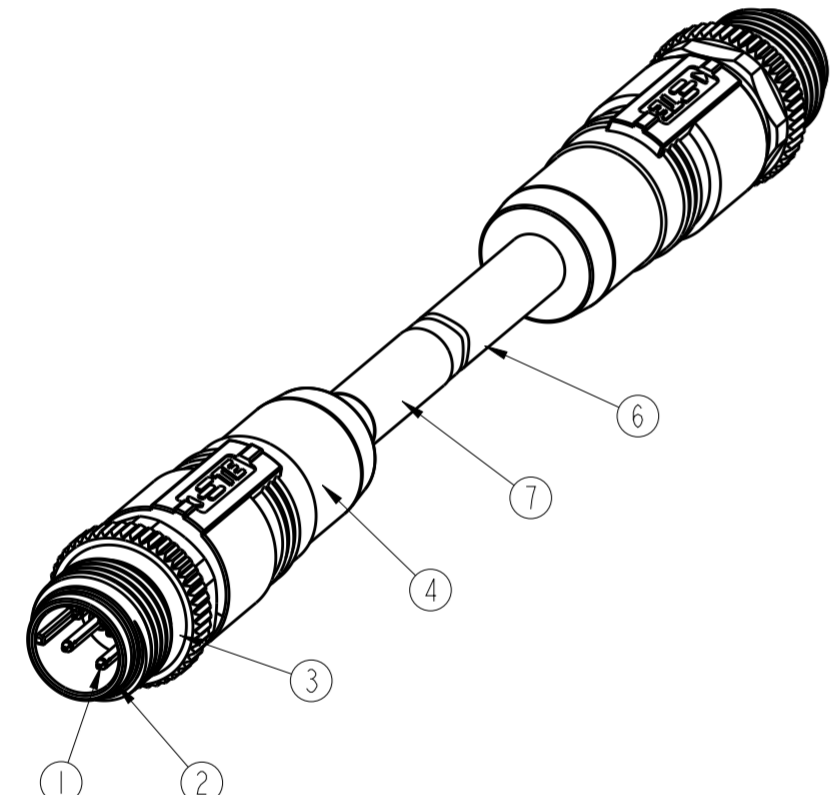
REVISIONS					
P	LTR	DESCRIPTION	DATE	DWN	APVD
	A	INITIAL RELEASE	18JUL2019	A.Z	C.W
	A1	CORRECT DRAFT ERROR	16OCT2019	A.Z	C.W
	A2	CLARIFY TYPICAL PNS	22JUN2020	A.Z	C.W
	A3	CLARIFY WIRE MAP	25AUG2020	A.Z	C.W



MI2 MALE, 4POLES, D-CODED



MI2 MALE, 4POLES, D-CODED



NOTE:

- ①. CODE POSITION INDICATOR
- ②. RECOMMENDED TORQUE 0.6 Nm
- ③. -** : CABLE LENGTH, FOR EXAMPLE: -0.5M
- ④. CABLE ASSEMBLY TO BE PACKAGED IN POLYBAGS
- ⑤. LABEL CONTAINS: PN, DATE CODE...
- ⑥. -XXX: FOR CABLE LENGTH, SEE TABLE 2 AND REFER TO LENGTH "L"

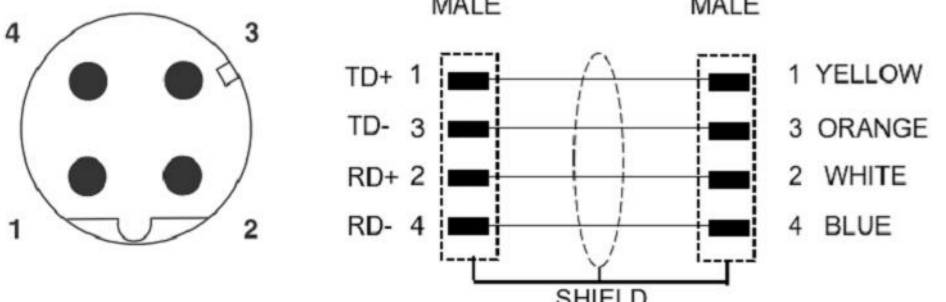
注释:

- ①. CODE位置指示
- ②. 推荐扭矩0.6 Nm
- ③. -** : 线缆长度, 例如: -0.5M
- ④. 线缆组件塑料袋包装
- ⑤. 标签包含: 产品编号, 日期代码...
- ⑥. -XXX: 线缆长度, 参考表2, 参照长度"L"

PIN ARRANGEMENT D-CODE

PIN 1	TD+	YELLOW / 黄
PIN 3	TD-	ORANGE / 橙
PIN 2	RD+	WHITE / 白
PIN 4	RD-	BLUE / 蓝

CIRCUIT DIAGRAM MALE MALE



WIRES	WIRE COLOR	OD	TEMPERATURE RATING	OPERATING TEMP RATING	TYPICAL LENGTH	JACKET COLOR	JACKET MATERIAL	TYPE	POS.	TABLE 2 TE PN
WIRES: 1X4X22AWG	WHITE/YELLOW/BLUE/ORANGE	APPROX. 6.5MM	80°C UL	-40°C To +80°C	-001: 0.5M -002: 1.0M -020: 2.0M -005: 5.0M -007: 10.0M -150: 15.0M -200: 20.0M -250: 25.0M -300: 30.0M	RED	PVC	MI2D4-MS-MS-PVC TYPE B RED-**③	4	TAD14741311-XXX⑥
WIRES: 1X4X22AWG	WHITE/YELLOW/BLUE/ORANGE	APPROX. 6.65MM	80°C UL	-30°C To +70°C	CUSTOMIZATION RULES: -003: 1.5M -004: 3.0M -005: 5.0M -006: 7.0M -99X: 0.XM (<1.0M) (-993: 0.3M) -XXX: XX.XM (>1.0M) (-155: 15.5M)	GREEN	PUR	MI2D4-MS-MS-PUR TYPE C GREEN-**③	4	TAD14745101-XXX⑥
WIRES: 1X4X22AWG	WHITE/YELLOW/BLUE/ORANGE	APPROX. 6.5MM	80°C UL	-25°C To +80°C		GREEN	FRNC	MI2D4-MS-MS-FRNC TYPE B GREEN-**③	4	TAD14747101-XXX⑥
WIRES: 1X4X22AWG	WHITE/YELLOW/BLUE/ORANGE	APPROX. 6.5MM	80°C UL	-40°C To +80°C		GREEN	PVC	MI2D4-MS-MS-PVC TYPE B GREEN-**③	4	TAD14741111-XXX⑥
CABLE CHARACTERISTIC		LENGTH "L"		JACKET COLOR	JACKET MATERIAL	TYPE		POS.	TABLE 2 TE PN	

THIS DRAWING IS A CONTROLLED DOCUMENT.

DWN: ALEX ZHANG 11APR2019
 CHK: HEAT HE 11APR2019
 APVD: CHRIS WANG 11APR2019

STE TE Connectivity

NAME: MI2 D CODE CABLE ASSY, SHIELDED 4P, MS TO MS

PRODUCT SPEC: 108-106140
 APPLICATION SPEC: 114-137144

SIZE: A2 CAGE CODE: - DRAWING NO: G-TAD1474XXXXXX RESTRICTED TO: -
 WEIGHT: - SCALE: 2:1 SHEET 1 OF 2 REV: A3

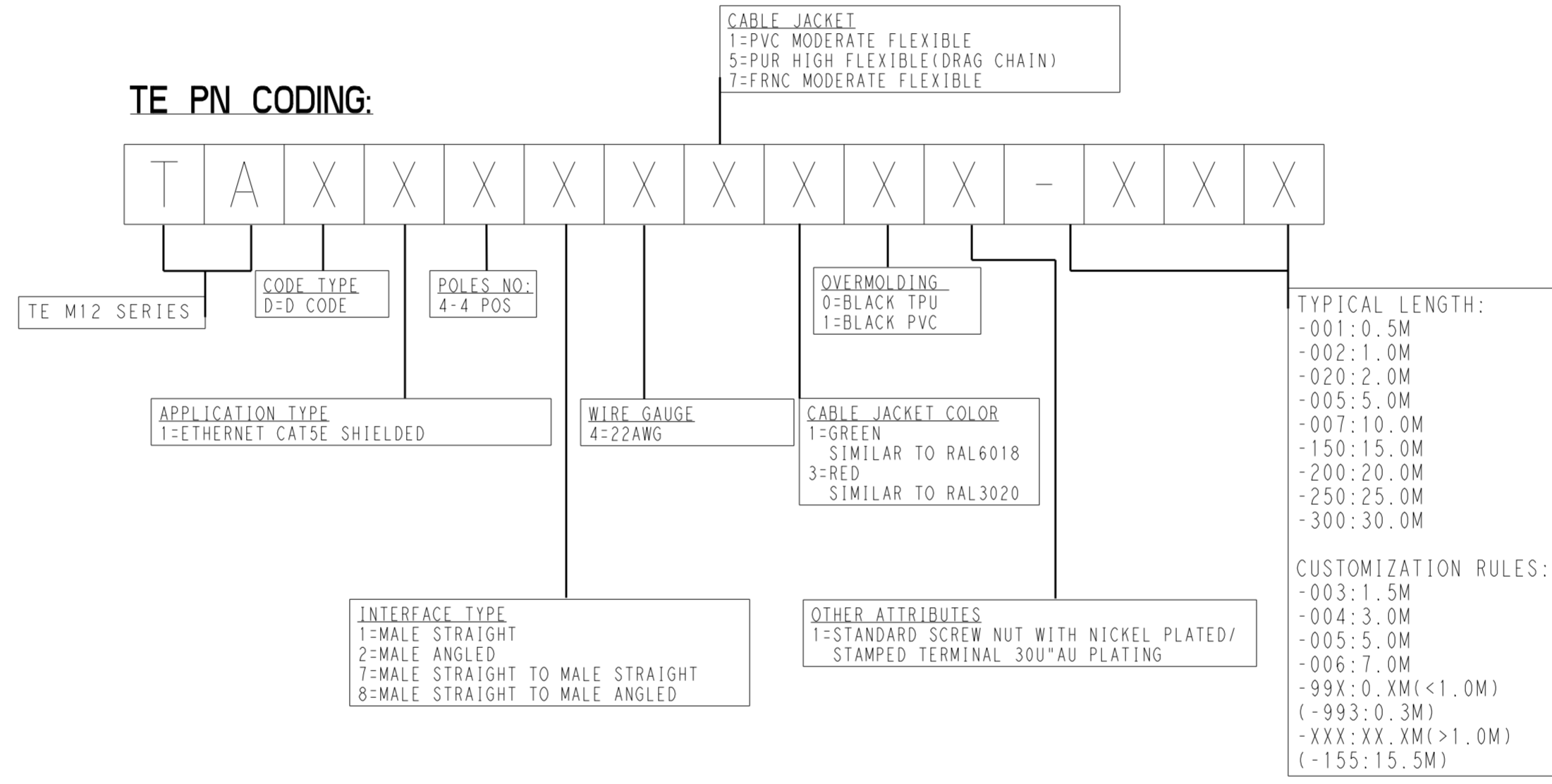
CUSTOMER DRAWING

THIS DRAWING IS UNPUBLISHED. RELEASED FOR PUBLICATION 20
 © COPYRIGHT 20 BY - ALL RIGHTS RESERVED.

REVISIONS				
P	LTR	DESCRIPTION	DATE	APVD
-	-	SEE SHEET 1	-	-

TECHNICAL DATA	
RATED VOLTAGE	250V 30V(UL)
RATED CURRENT	4A 1.5A(UL)
POLLUTION DEGREE	3
OVERVOLTAGE CATEGORY	II
MATERIAL GROUP	II
DEGREE OF PROTECTION	IP67

TE PN CODING:



THIS DRAWING IS A CONTROLLED DOCUMENT.		DWN ALEX ZHANG 11APR2019	TE Connectivity		
DIMENSIONS: mm		CHK HEAT HE 11APR2019			
		APVD CHRIS WANG 11APR2019	NAME M12 D CODE CABLE ASSY, SHIELDED 4P, MS TO MS		
TOLERANCES UNLESS OTHERWISE SPECIFIED: 0 PLC ± 1 PLC ± 2 PLC ± 3 PLC ± 4 PLC ± ANGLES ± FINISH		PRODUCT SPEC 108-106140	SIZE A2	CAGE CODE -	DRAWING NO G-TAD1474XXXXXX
MATERIAL -		APPLICATION SPEC 114-137144	RESTRICTED TO	SCALE 2:1	SHEET 2 OF 2
-		WEIGHT -	CUSTOMER DRAWING	REV A3	