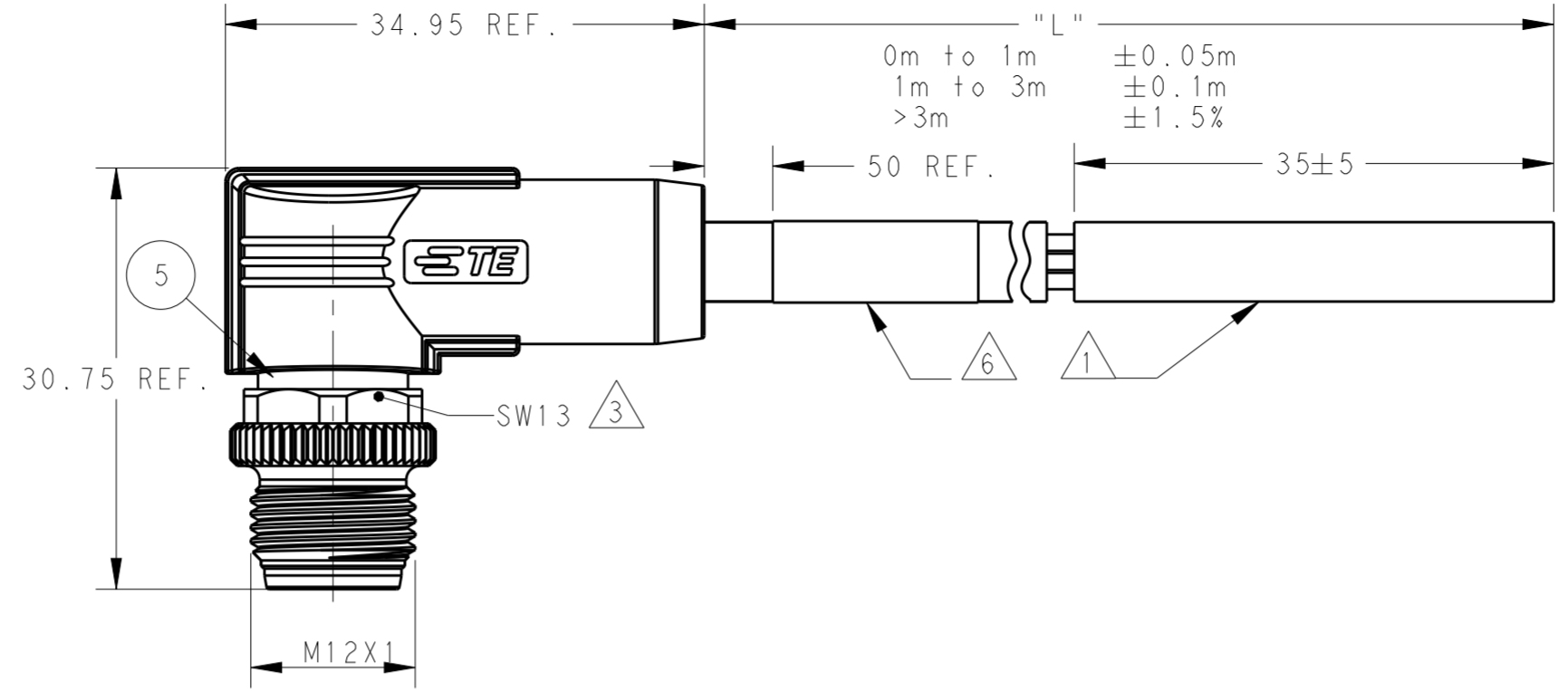
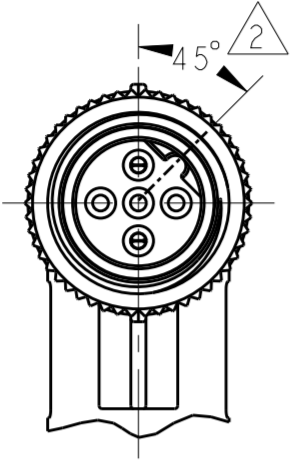


THIS DRAWING IS UNPUBLISHED. RELEASED FOR PUBLICATION 20
 © COPYRIGHT 20 BY - ALL RIGHTS RESERVED.

ITEM	DESCRIPTION	MATERIAL	OTHERS
1	MALE CONTACT	COPPER ALLOY	GOLD PLATED
2	HOUSING	NYLON	BLACK
3	COUPLING NUT	COPPER ALLOY	NICKEL PLATED
4	OVER-MOLDING	TPU	BLACK
5	SHIELDED SHELL	COPPER ALLOY	NICKEL PLATED
6	CABLE	PUR	VIOLET
7	LABEL	-	-

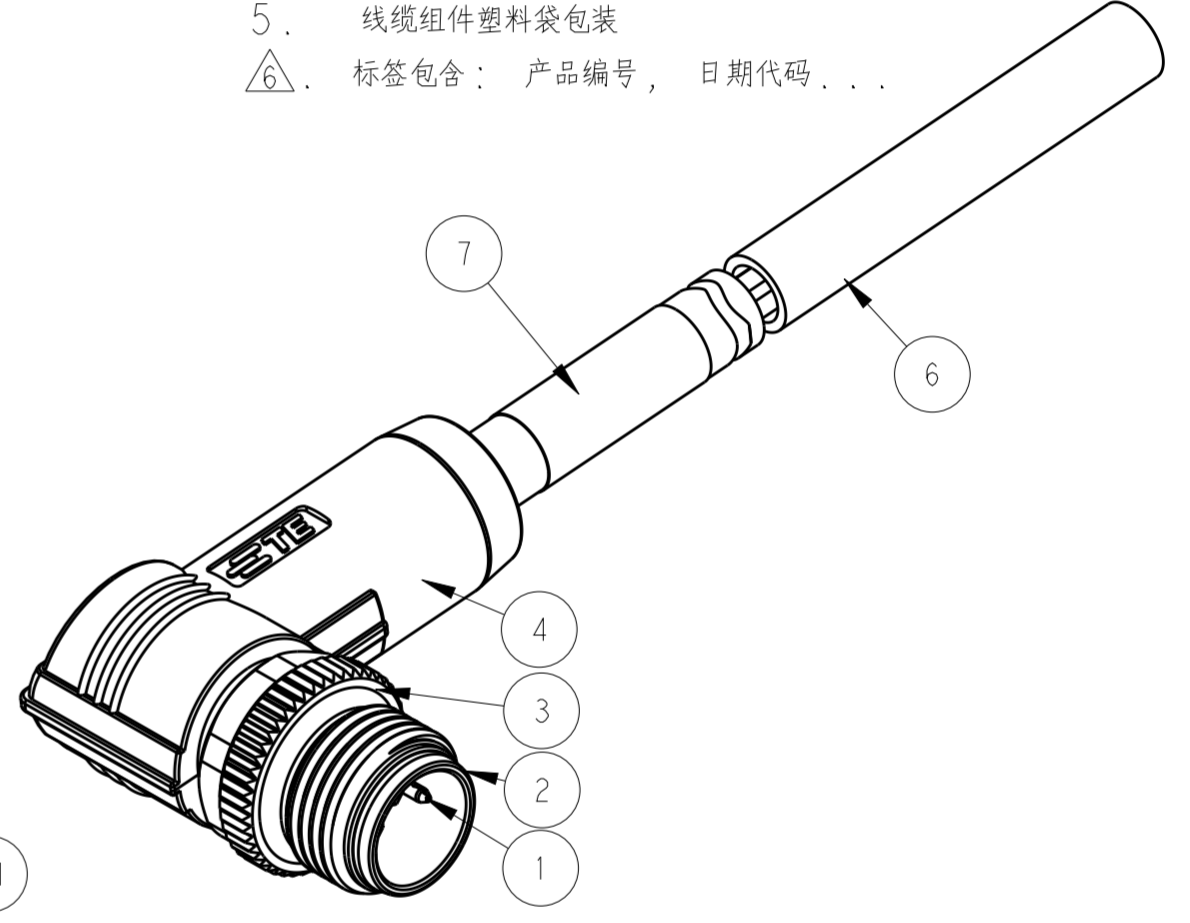
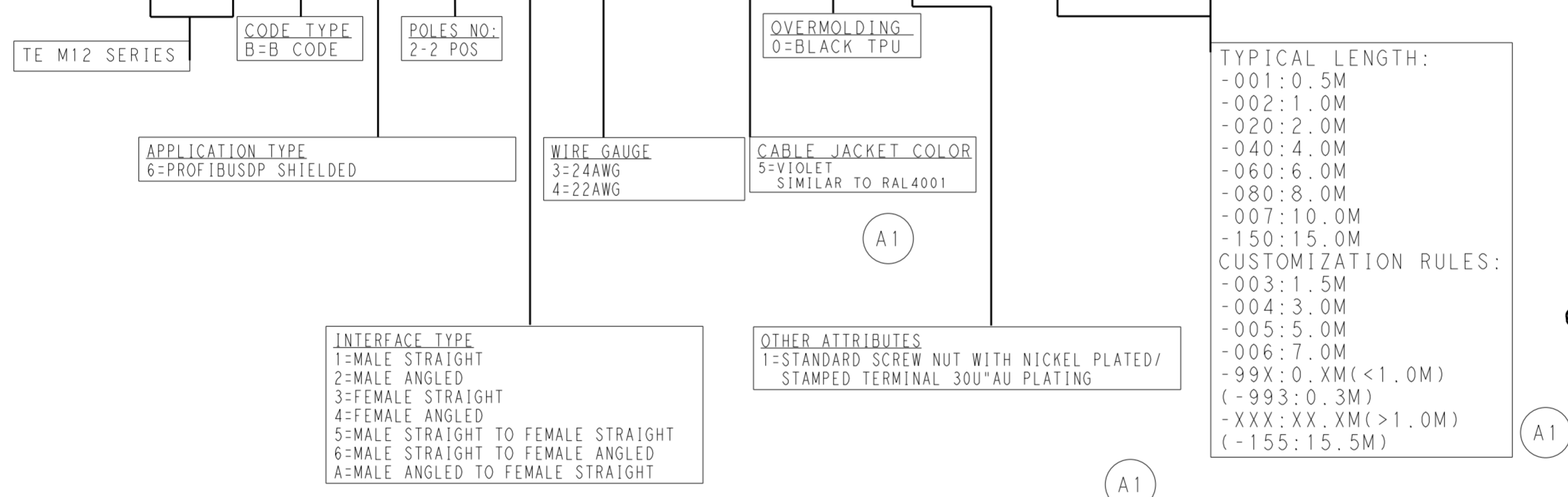
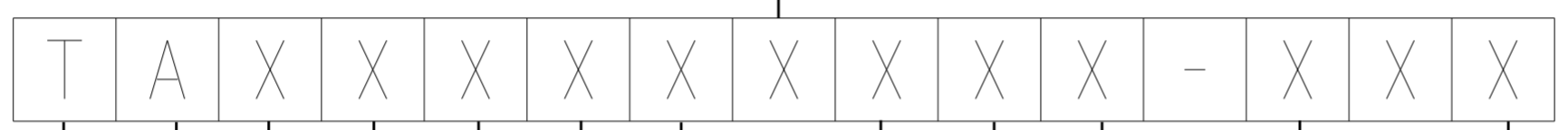


REVISIONS				
P	LTR	DESCRIPTION	DATE	APVD
A		INITIAL RELEASE	01AUG2019	A.Z C.W
A1		CLARIFY TYPICAL PNS	22JUN2020	A.Z C.W

NOTE:
 1. STRIP AND RETAIN THE INSULATION
 2. CODE POSITION INDICATOR
 3. RECOMMENDED TORQUE 0.6 Nm
 4. -*:CABLE LENGTH, FOR EXAMPLE: -0.5M
 5. CABLE ASSEMBLY TO BE PACKAGED IN POLYBAGS
 6. LABEL CONTAINS: PN, DATE CODE...

注释:
 1. 剥线并保留护套绝缘层
 2. CODE位置指示
 3. 推荐扭矩0.6 Nm
 4. -*:线缆长度,例如:-0.5M
 5. 线缆组件塑料袋包装
 6. 标签包含: 产品编号, 日期代码...

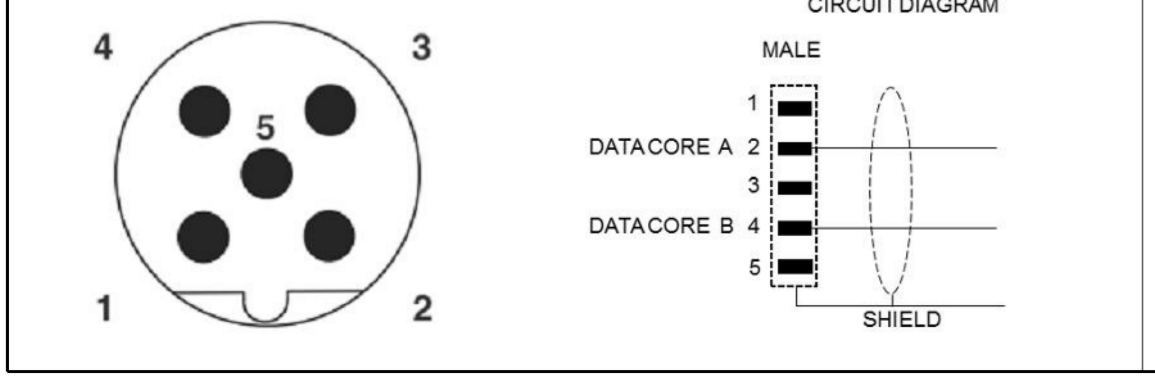
TE PN CODING:



TECHNICAL DATA	
RATED VOLTAGE	250V
RATED IMPULSE VOLTAGE	2500V
RATED CURRENT	4A
POLLUTION DEGREE	3
OVERVOLTAGE CATEGORY	II
MATERIAL GROUP	II
DEGREE OF PROTECTION	IP67

PIN ARRANGEMENT B-CODE	
PIN 2 DATE CORE A	GREEN
PIN 4 DATE CORE B	RED

WIRES: 22AWG	WIRE COLOR: RED AND GREEN	OD: APPROX. 8.0MM	TEMPERATURE RATING: 80°C UL	OPERATION TEMP RATING: -25°C To +75°C	APPLICATIONS: FLEXIBLE, SUITABLE FOR ±180° TORSION APPLICATION, 5 MILLION CYCLES FOR 1M LENGTH	TYPICAL LENGTH:	JACKET COLOR	JACKET MATERIAL	TYPE	POS.	TE PN
WIRES: 24AWG	WIRE COLOR: RED AND GREEN	OD: APPROX. 7.8MM	TEMPERATURE RATING: 80°C UL	OPERATION TEMP RATING: -40°C To +80°C	APPLICATIONS: FLEXIBLE, SUITABLE FOR DRAG CHAIN, MIN. 1 MILLION CYCLES, DIAMETER 75MM, SPEED 2m/s, ACCELERATION 2m/s ²	-001: 0.5M -002: 1.0M -020: 2.0M -040: 4.0M -060: 6.0M -080: 8.0M -007: 10.0M -150: 15.0M CUSTOMIZATION RULES: -003: 1.5M -004: 3.0M -005: 5.0M -006: 7.0M -99X: 0.XM (<1.0M) (-993: 0.3M) -XXX: XX.XM (>1.0M) (-155: 15.5M)	VIOLET	PUR	M12B2-MR-PUR TORSION-**4	2	TAB62246501-XXX
									M12B2-MR-PUR-**4		TAB62235501-XXX



THIS DRAWING IS A CONTROLLED DOCUMENT.

DIMENSIONS: mm	TOLERANCES UNLESS OTHERWISE SPECIFIED:	DWN: ALEX ZHANG 11APR2019	CHK: HART HE 11APR2019	APVD: CHRIS WANG 11APR2019	NAME: M12 B CODE CABLE ASSY, SHIELDED 2P, MR FREE END
MATERIAL: -	FINISH: -	PRODUCT SPEC: 108-106140	APPLICATION SPEC: 114-137144	WEIGHT: -	SIZE: A2
CUSTOMER DRAWING		SCALE: 2:1		SHEET 1 OF 1	

RESTRICTED TO: REV A1