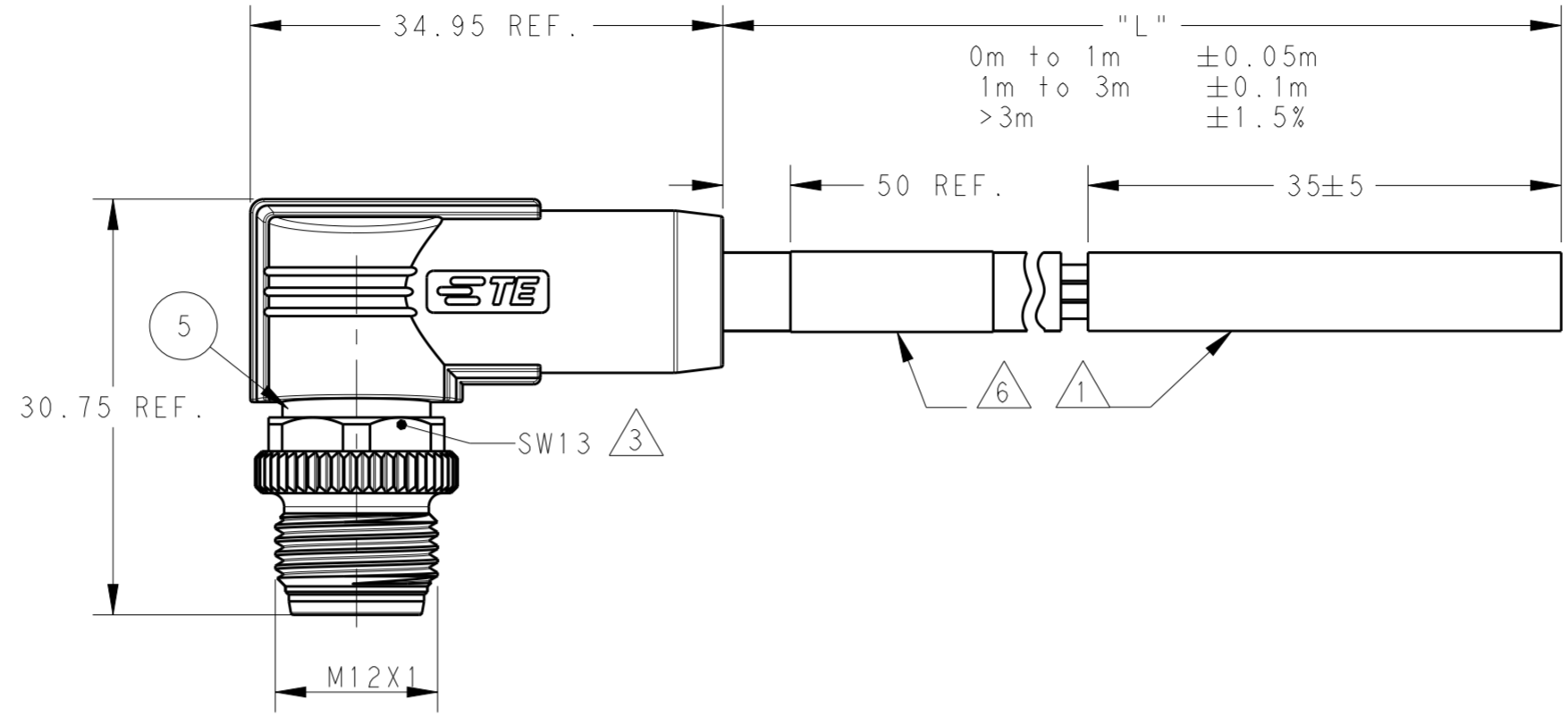
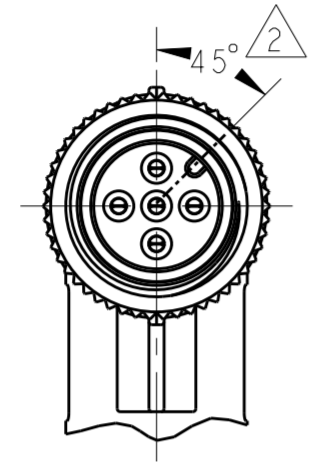


THIS DRAWING IS UNPUBLISHED. RELEASED FOR PUBLICATION 20
 © COPYRIGHT 20 BY - ALL RIGHTS RESERVED.

ITEM	DESCRIPTION	MATERIAL	OTHERS
1	MALE CONTACT	COPPER ALLOY	GOLD PLATED
2	HOUSING	NYLON	BLACK
3	COUPLING NUT	COPPER ALLOY	NICKEL PLATED
4	OVER-MOLDING	PVC/TPU	BLACK
5	SHIELDED SHELL	COPPER ALLOY	NICKEL PLATED
6	CABLE	PVC/PUR JACKET	GRAY/VIOLET
7	LABEL	-	-

REVISIONS				
P	LTR	DESCRIPTION	DATE	APVD
A		INITIAL RELEASE	29JUL2019	A.Z C.W
A1		CLARIFY TYPICAL PNS	22JUN2020	A.Z C.W



NOTE:
 1. STRIP AND RETAIN THE INSULATION
 2. CODE POSITION INDICATOR
 3. RECOMMENDED TORQUE 0.6 Nm
 4. -*:CABLE LENGTH, FOR EXAMPLE: -0.5M
 5. CABLE ASSEMBLY TO BE PACKAGED IN POLYBAGS
 6. LABEL CONTAINS: PN, DATE CODE...

注释:
 1. 剥线并保留护套绝缘层
 2. CODE位置指示
 3. 推荐扭矩0.6 Nm
 4. -*:线缆长度,例如:-0.5M
 5. 线缆组件塑料袋包装
 6. 标签包含: 产品编号, 日期代码...

TE PN CODING:

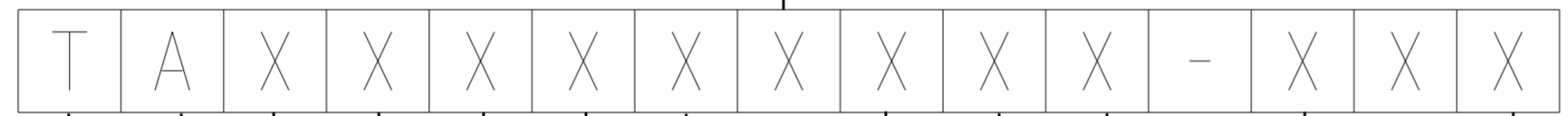
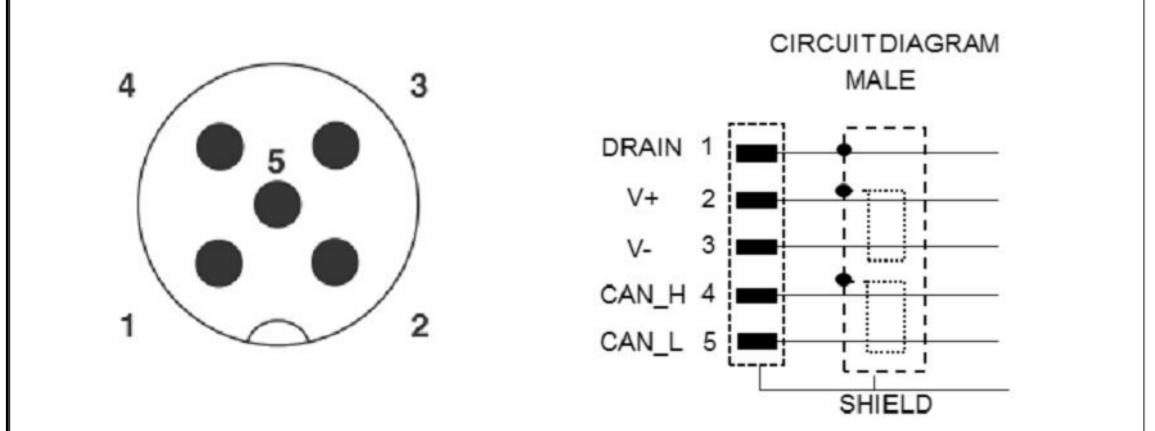
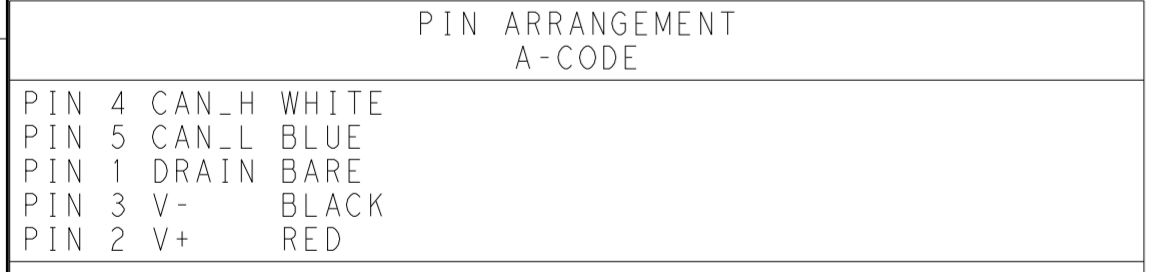


TABLE 1
TECHNICAL DATA

	TAA752A1611-XXX	TAA752A5501-XXX
RATED VOLTAGE	60V	
RATED IMPULSE VOLTAGE	1500V	
RATED CURRENT	4A	
POLLUTION DEGREE	3	
OVERVOLTAGE CATEGORY	II	
MATERIAL GROUP	II	
DEGREE OF PROTECTION	IP67	

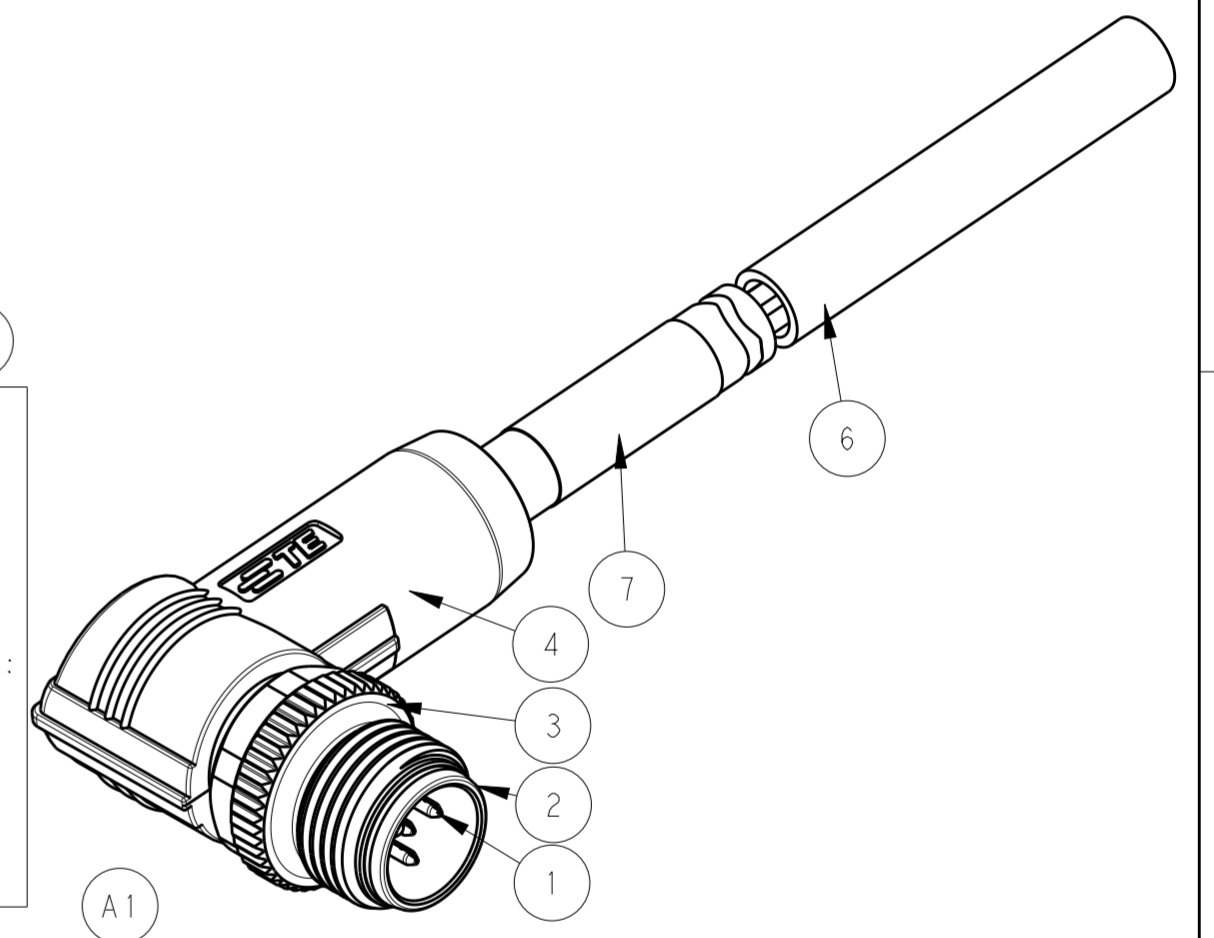


CABLE JACKET
 1=PVC MODERATE FLEXIBLE
 5=PUR HIGH FLEXIBLE(DRAG CHAIN)

TYPICAL LENGTH:
 -001: 0.5M
 -002: 1.0M
 -020: 2.0M
 -040: 4.0M
 -060: 6.0M
 -080: 8.0M
 -007: 10.0M
 -150: 15.0M
 CUSTOMIZATION RULES:
 -003: 1.5M
 -004: 3.0M
 -005: 5.0M
 -006: 7.0M
 -99X: 0.XM(<1.0M)
 (-993: 0.3M)
 -XXX: XX.XM(>1.0M)
 (-155: 15.5M)

WIRES: 2X22AWG+2X24AWG
 +1X22 AWG DRAIN WIRE
 WIRE COLOR: WHITE/BLUE/RED/BLACK
 OD: APPROX: 6.9MM
 PUR JACKET: VIOLET
 OPERATION TEMPERATURE RATING: 80°C UL
 OPERATION TEMP RATING:
 -40°C to +80°C
 DRAG CHAIN TEST:
 MIN: 0.5 MILLION CYCLES, DIAMETER 75MM,
 SPEED 2m/s, ACCELERATION 2m/s²

WIRES: 2X22AWG+2X24AWG
 +1X22 AWG DRAIN WIRE
 WIRE COLOR: WHITE/BLUE/RED/BLACK
 OD: APPROX: 7.1MM
 TEMPERATURE RATING: 75°C UL
 OPERATION TEMP RATING:
 -10°C to +80°C



CABLE CHARACTERISTIC	LENGTH "L"	TYPE	TABLE 2 TE PN
		M12A5-MR-PUR-***	TAA752A5501-XXX
		M12A5-MR-PVC-***	TAA752A1611-XXX

THIS DRAWING IS A CONTROLLED DOCUMENT.

DIMENSIONS: mm

TOLERANCES UNLESS OTHERWISE SPECIFIED:
 0 PLC ±
 1 PLC ±
 2 PLC ±
 3 PLC ±
 4 PLC ±
 ANGLES ±2
 FINISH

MATERIAL: -

APVD: CHRIS WANG 11APR2019
 CHK: HART HE 11APR2019
 DWN: ALEX ZHANG 11APR2019

PRODUCT SPEC: 108-106140
 APPLICATION SPEC: 114-137144

NAME: M12 A CODE CABLE ASSY, SHIELDED 5P, MR FREE END

SIZE: A2 CAGE CODE: - DRAWING NO: C-TAA752AXXXXXXX RESTRICTED TO: -

CUSTOMER DRAWING SCALE: 2:1 SHEET 1 OF 1 REV: A1