

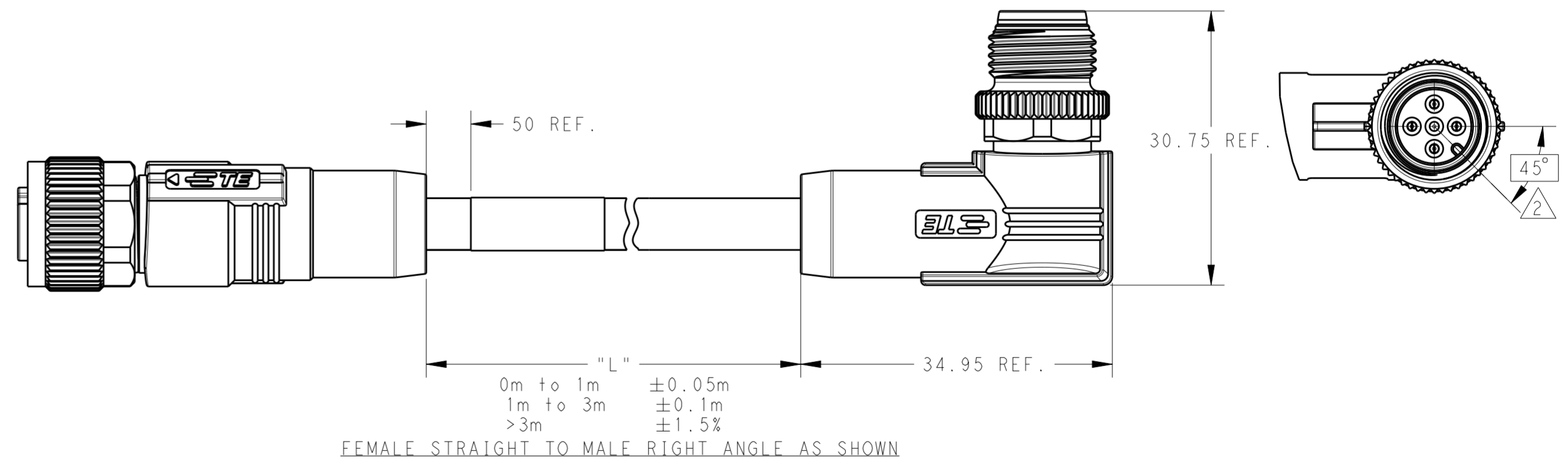
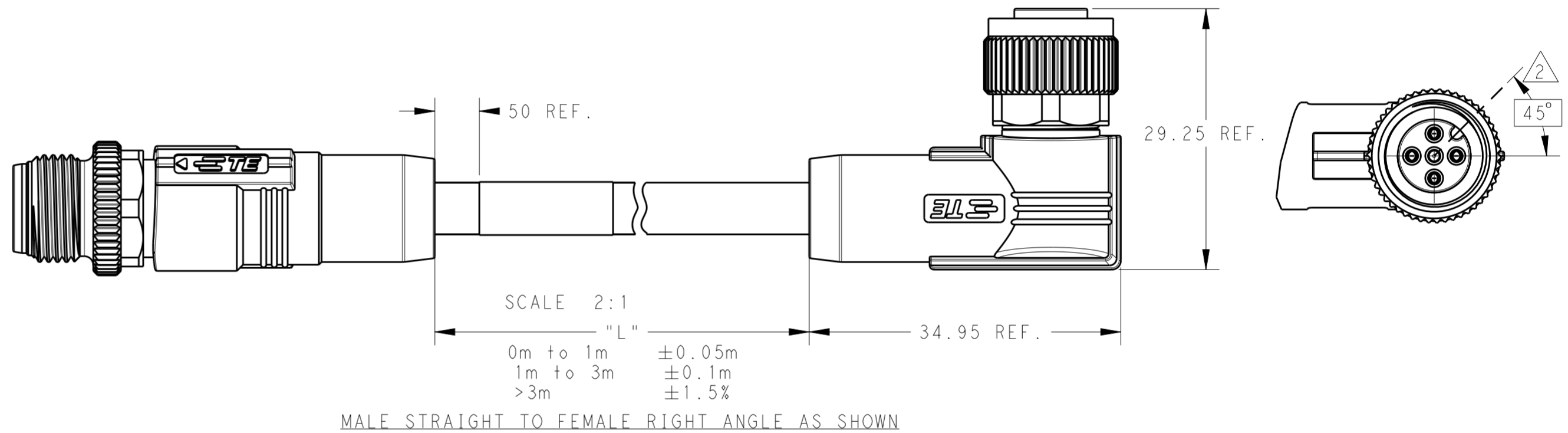
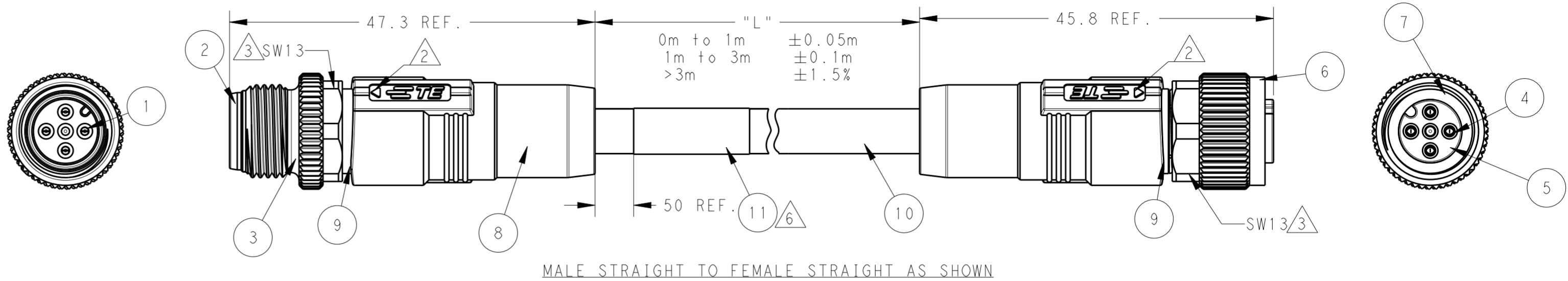
THIS DRAWING IS UNPUBLISHED. RELEASED FOR PUBLICATION 20
 © COPYRIGHT 20 BY - ALL RIGHTS RESERVED.

ITEM	DESCRIPTION	MATERIAL	OTHERS
1	MALE CONTACT	COPPER ALLOY	GOLD PLATED
2	MALE HOUSING	NYLON	BLACK
3	MALE NUT	COPPER ALLOY	NICKEL PLATED
4	FEMALE CONTACT	COPPER ALLOY	GOLD PLATED
5	FEMALE HOUSING	NYLON	BLACK
6	FEMALE NUT	COPPER ALLOY	NICKEL PLATED
7	O-RING	SILICONE	GRAY
8	OVER-MOLDING	PVC	BLACK
9	SHIELDED SHELL	COPPER ALLOY	NICKEL PLATED
10	CABLE	PVC JACKET	RED
11	LABEL	-	-

REVISIONS				
P	LTR	DESCRIPTION	DATE	APVD
A		INITIAL RELEASE	29JUL2019	A.Z C.W
A1		CLARIFY TYPICAL PNS	22JUN2020	A.Z C.W

- NOTE:
- ①. TECHNICAL DATA SEE TABLE 1
 - ②. CODE POSITION INDICATOR
 - ③. RECOMMENDED TORQUE 0.6 Nm
 - ④. -** : CABLE LENGTH, FOR EXAMPLE: -0.5M
 - 5. CABLE ASSEMBLY TO BE PACKAGED IN POLYBAGS
 - ⑥. LABEL CONTAINS: PN, DATE CODE...

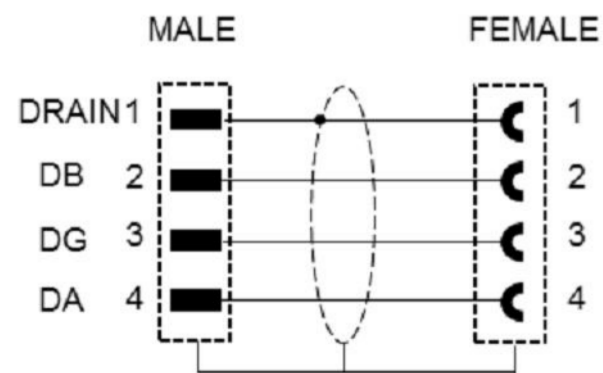
- 注释:
- ①. 技术参数参考表 1
 - ②. CODE 位置指示
 - ③. 推荐扭矩 0.6 Nm
 - ④. -** : 线缆长度, 例如: -0.5M
 - 5. 线缆组件塑料袋包装
 - ⑥. 标签包含: 产品编号, 日期代码...



CIRCUIT DIAGRAM
A-CODE

PIN 1 DRAIN BARE
 PIN 2 DB WHITE
 PIN 3 DG YELLOW
 PIN 4 DA BLUE

CIRCUIT DIAGRAM



MALE FEMALE



THIS DRAWING IS A CONTROLLED DOCUMENT.		DWN 11APR2019 ALEX ZHANG	TE Connectivity	
DIMENSIONS: mm		CHK 11APR2019 HART HE		
TOLERANCES UNLESS OTHERWISE SPECIFIED:		APVD 11APR2019 CHRIS WANG	NAME M12 A CODE CABLE ASSY, SHIELDED 4P, MALE TO FEMALE	
0 PLC ±		PRODUCT SPEC 108-106140	SIZE A2	
1 PLC ±		APPLICATION SPEC 114-137144	CAGE CODE -	
2 PLC ±		WEIGHT -	DRAWING NO. C-TAA54XB1411XXX	
3 PLC ±		RESTRICTED CUSTOMER	RESTRICTED TO	
4 PLC ±		SCALE 2:1	SHEET 1 OF 2	
ANGLES ±			REV A1	
FINISH -				

THIS DRAWING IS UNPUBLISHED. RELEASED FOR PUBLICATION 20
 © COPYRIGHT 20 BY - ALL RIGHTS RESERVED.

REVISIONS					
P	LTR	DESCRIPTION	DATE	DWN	APVD
-		SEE SHEET 1	-	-	-

TE PN CODING:

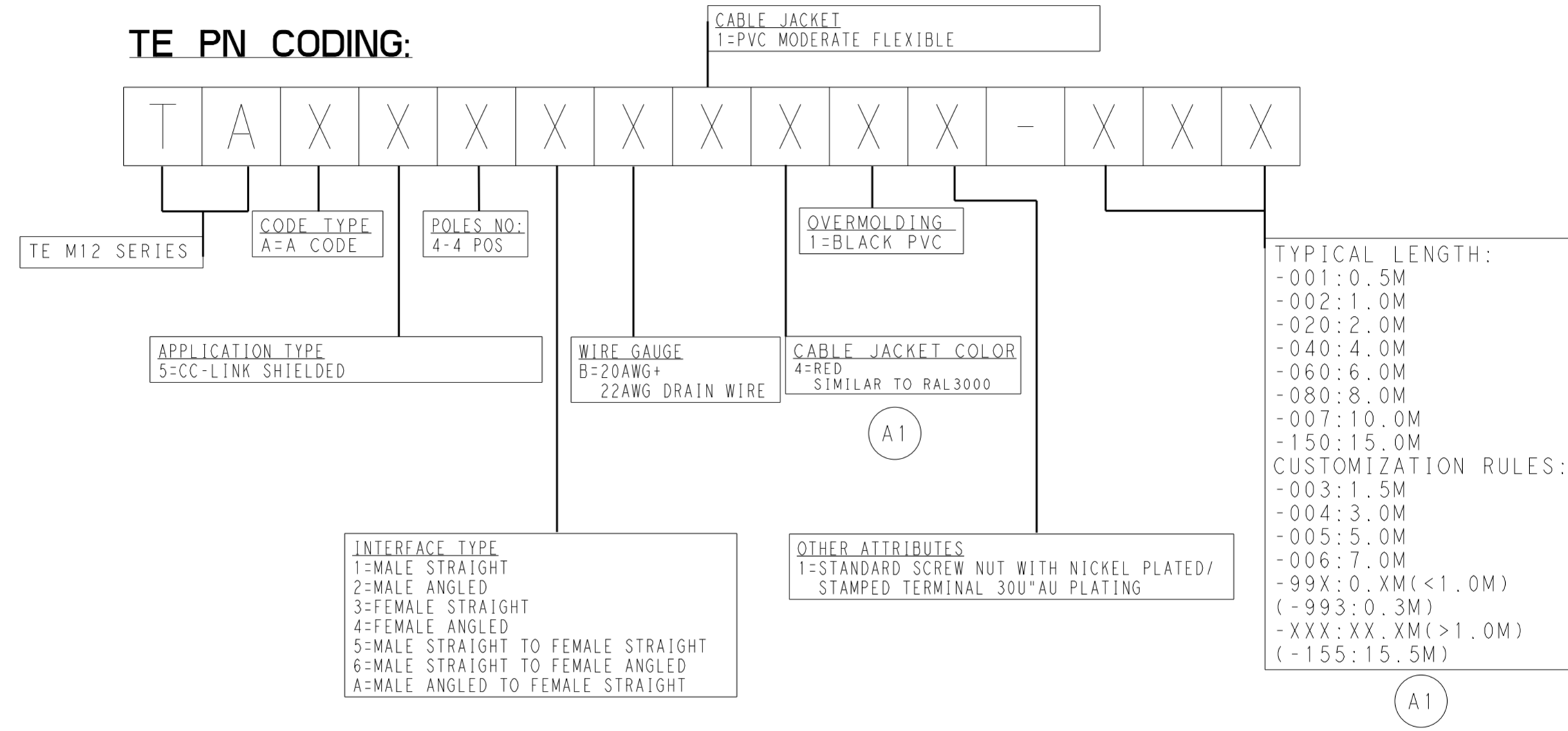


TABLE 1
TECHNICAL DATA

RATED VOLTAGE	250V
RATED IMPULSE VOLTAGE	2500V
RATED CURRENT	4A
POLLUTION DEGREE	3
OVERVOLTAGE CATEGORY	II
MATERIAL GROUP	II
DEGREE OF PROTECTION	IP67

WIRES: 3X20AWG+1X22AWG DRAIN WIRE WIRE COLOR: BLUE/YELLOW/WHITE OD: APPROX. 7.7MM TEMPERATURE RATING: 75°C UL OPERATING TEMP RATING: -30°C To +60°C	TYPICAL LENGTH: -001: 0.5M -002: 1.0M -020: 2.0M -040: 4.0M -060: 6.0M -080: 8.0M -007: 10.0M -150: 15.0M CUSTOMIZATION RULES: -003: 1.5M -004: 3.0M -005: 5.0M -006: 7.0M -99X: 0.XM (<1.0M) (-993: 0.3M) -XXX: XX.XM (>1.0M) (-155: 15.5M)	RED	PVC	M12A4-MR-FS-PVC-** Δ	4	TAA54AB1411-XXX
				M12A4-MS-FR-PVC-** Δ		TAA546B1411-XXX
				M12A4-MS-FS-PVC-** Δ		TAA545B1411-XXX
CABLE CHARACTERISTIC	LENGTH "L"	JACKET COLOR	JACKET MATERIAL	TYPE	POS.	TABLE 2 TE PN

THIS DRAWING IS A CONTROLLED DOCUMENT.

DWN	ALEX ZHANG	11APR2019
CHK	HART HE	11APR2019
APVD	CHRIS WANG	11APR2019
PRODUCT SPEC	108-106140	
APPLICATION SPEC	114-137144	
WEIGHT	-	
RESTRICTED CUSTOMER		

STE TE Connectivity

NAME: M12 A CODE CABLE ASSY, SHIELDED
4P, MALE TO FEMALE

SIZE: A2 CAGE CODE: - DRAWING NO: C-TAA54XB1411XXX

RESTRICTED TO: SCALE: 2:1 SHEET: 2 OF 2 REV: A1