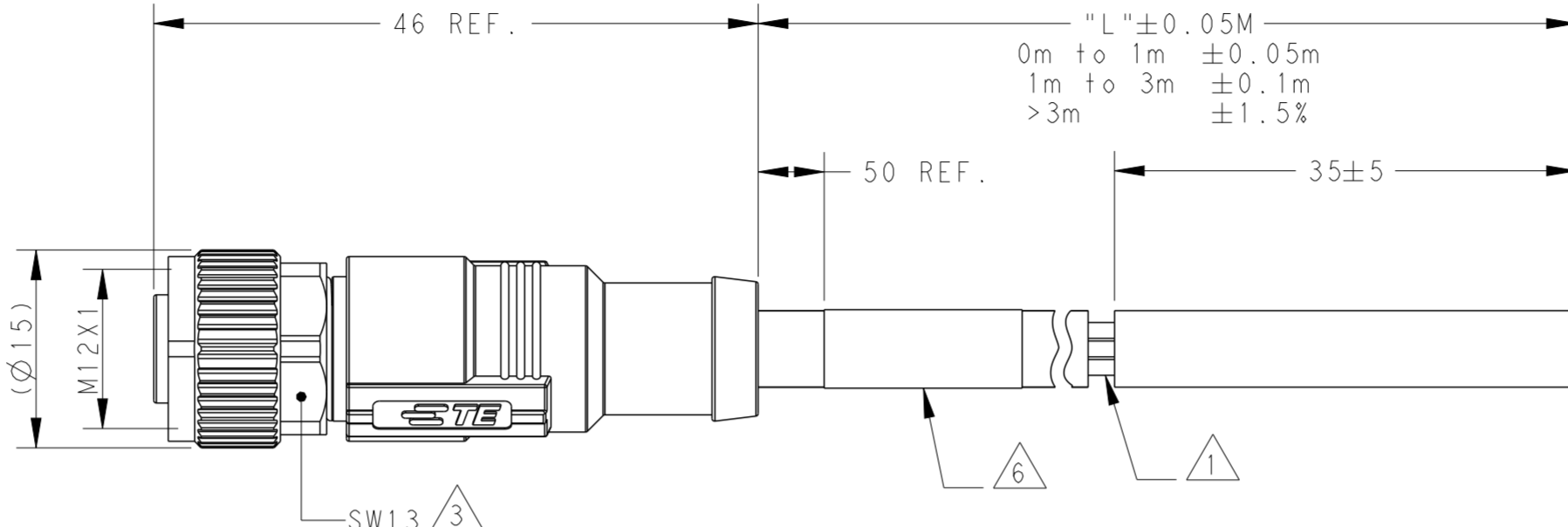
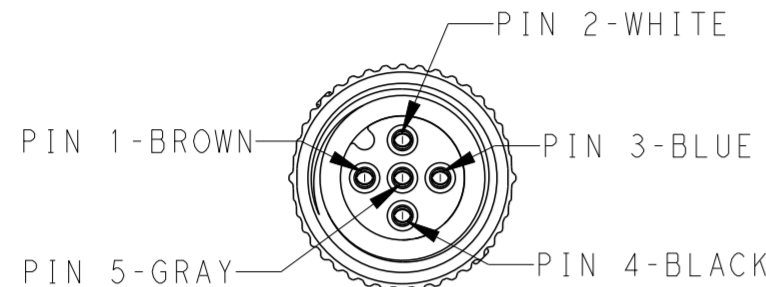


THIS DRAWING IS UNPUBLISHED. RELEASED FOR PUBLICATION 20
 © COPYRIGHT 20 BY - ALL RIGHTS RESERVED.

ITEM	DESCRIPTION	MATERIAL	OTHERS
1	FEMALE CONTACT	BRONZE	GOLD PLATED
2	HOUSING	NYLON	BLACK
3	COUPLING NUT	ZAMACK	NICKEL PLATED
4	OVER-MOLDING	POLYURETHANE	BLUE
5	CABLE	-	-
6	LABEL	-	-

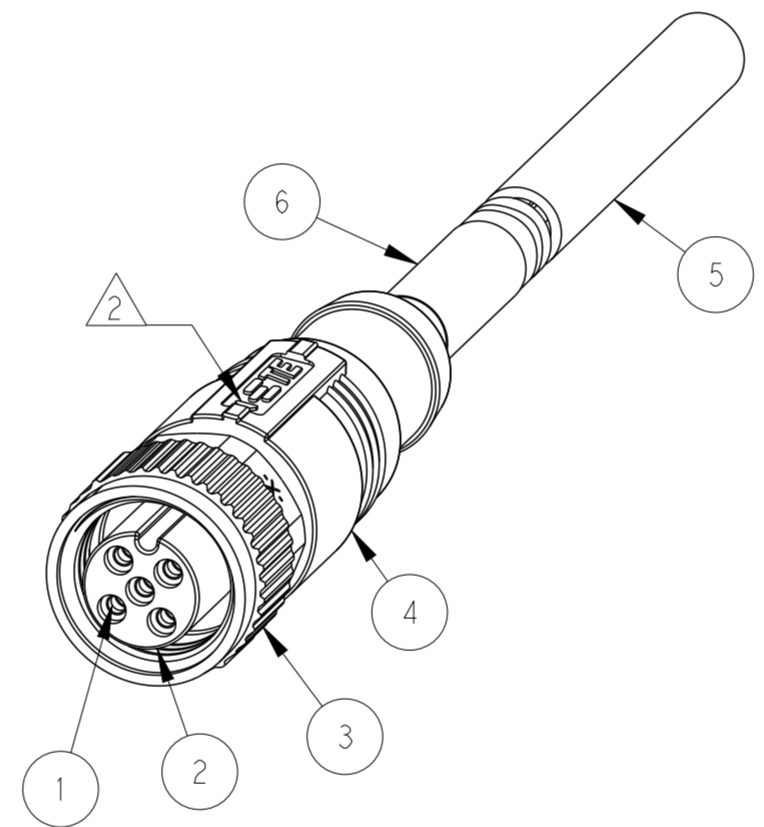
REVISIONS				
P	LTR	DESCRIPTION	DATE	APVD
A		INITIAL RELEASE	13APR2016	HW XX
B		ECR-22-134837	29DEC2022	BP CW



NOTE:
 ①. STRIP AND RETAIN THE INSULATION
 ②. CODE POSITION INDICATOR
 ③. RECOMMENDED TORQUE 0.6 Nm
 ④. -** : CABLE LENGTH
 -0.5:0.5M,
 -1.0:1.0M,
 -1.5:1.5M,
 -3.0:3.0M,
 -5.0:5.0M,
 -7.0:7.0M,
 -10.0:10.0M,
 5. CABLE ASSEMBLY TO BE PACKAGED IN POLYBAGS
 ⑥. LABEL CONTAINS: PN, DATE CODE...

TECHNICAL DATA	T41613X0002-00X	T41613X0003-00X	T41613X0004-00X	T41613X0005-00X
RATED VOLTAGE		250V		60V
RATED IMPULSE VOLTAGE		2500V		1500V
RATED CURRENT		4A		
POLLUTION DEGREE		3		
OVERVOLTAGE CATEGORY		II		
MATERIAL GROUP		II		
DEGREE OF PROTECTION		IP67		

注释:
 ①. 剥线并保留护套绝缘层
 ②. CODE位置指示
 ③. 推荐扭矩0.6 Nm
 ④. -** : 线缆长度
 -0.5:0.5M,
 -1.0:1.0M,
 -1.5:1.5M,
 -3.0:3.0M,
 -5.0:5.0M,
 -7.0:7.0M,
 -10.0:10.0M,
 5. 线缆组件塑料袋包装
 ⑥. 标签包含: 产品编号, 日期代码...



PIN ARRANGEMENT A-CODE		
T41613X0002-00X	T41613X0003-00X	T41613X0004-00X
T41613X0005-00X		

CABLE CHARACTERISTIC	LENGTH "L"	TEMPERATURE RANGE	JACKET COLOR	JACKET MATERIAL	TYPE	POS.	TE PN
WIRES: 0.34mm ² (22AWG) WIRE COLOR: WH/BR/BK/BL/GR OD: APPROX.5.0MM FOR 2P/3P APPROX.5.5MM FOR 4P APPROX.6.0MM FOR 5P	-001:0.5M -002:1.0M -003:1.5M -004:3.0M -005:5.0M -006:7.0M -007:10.0M	FIXED: -40°C~+80°C	GRAY	PUR (UL)	RPC-M12-FS-5CON-PUR-**SH ④	5	T4161320005-00X
		FLXIBLE: -25°C~+80°C			RPC-M12-FS-4CON-PUR-**SH ④	4	T4161320004-00X
					RPC-M12-FS-3CON-PUR-**SH ④	3	T4161320003-00X
	FIXED: -10°C~+80°C	FLXIBLE: -5°C~+80°C	BLACK	PVC (UL)	RPC-M12-FS-5CON-PVC-**SH ④	5	T4161310005-00X
					RPC-M12-FS-4CON-PVC-**SH ④	4	T4161310004-00X
					RPC-M12-FS-3CON-PVC-**SH ④	3	T4161310003-00X
					RPC-M12-FS-2CON-PVC-**SH ④	2	T4161310002-00X

THIS DRAWING IS A CONTROLLED DOCUMENT.

DWN: HAO WANG 13APR2016	TE Connectivity M12X1 STRAIGHT RECEPTACLE, FREE END A-CODE, SHIELDED,				
CHK: KOBBY ZHAO 13APR2016					
APVD: XIANG XU 13APR2016					
NAME: 108-106140					
DIMENSIONS: mm	TOLERANCES UNLESS OTHERWISE SPECIFIED:	SIZE: A2	CAGE CODE: -	DRAWING NO: C-T41613X00XX00X	RESTRICTED TO:
MATERIAL: -	FINISH: -	WEIGHT: -	SCALE: 2:1	SHEET 1 OF 1	REV B