

THIS DRAWING IS UNPUBLISHED. RELEASED FOR PUBLICATION 20
 © COPYRIGHT 20 BY - ALL RIGHTS RESERVED.

REVISIONS				
P	LTR	DESCRIPTION	DATE	APVD
B		ECR-16-010100, UPDATE NAME	14JUL2016	L.Z X.X
C		ECR-19-009136	20JUL2019	C.D C.W

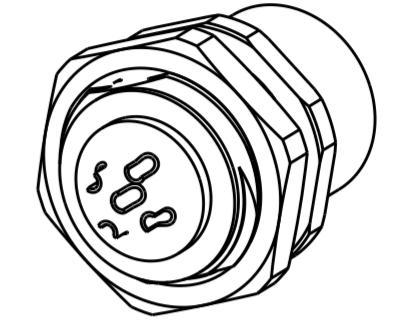
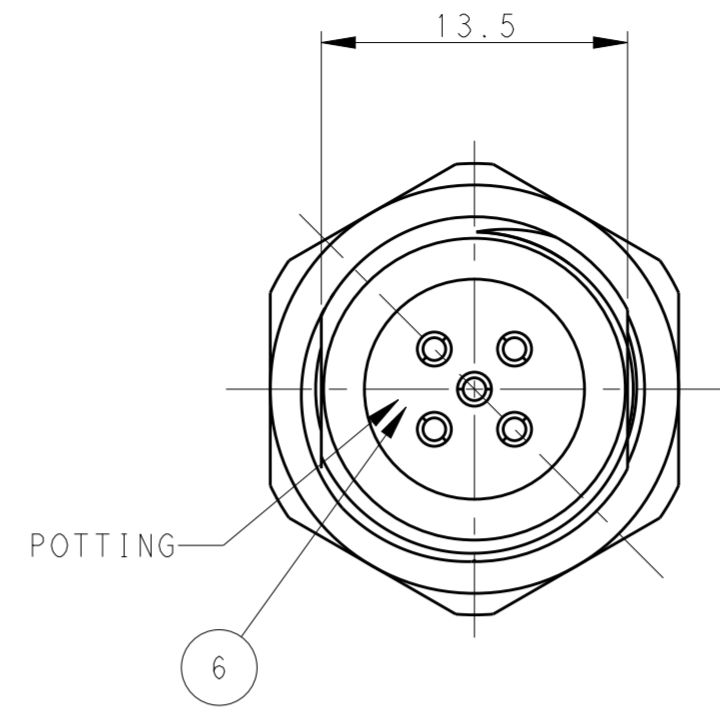
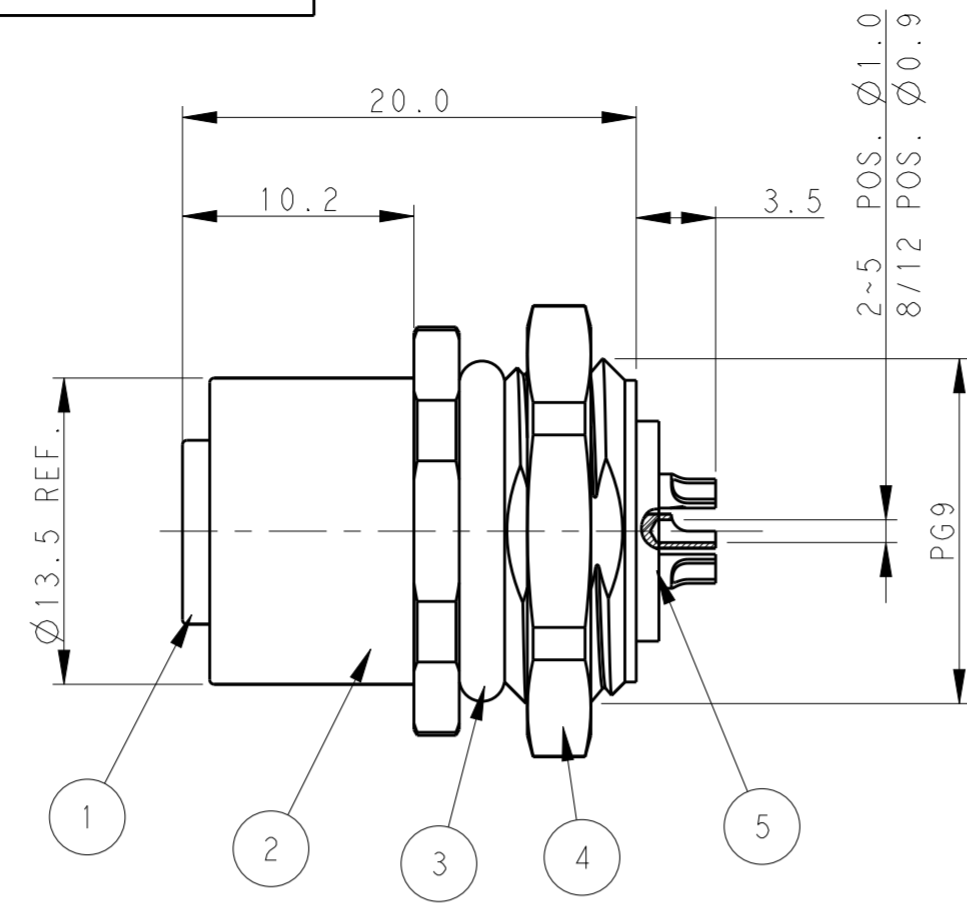
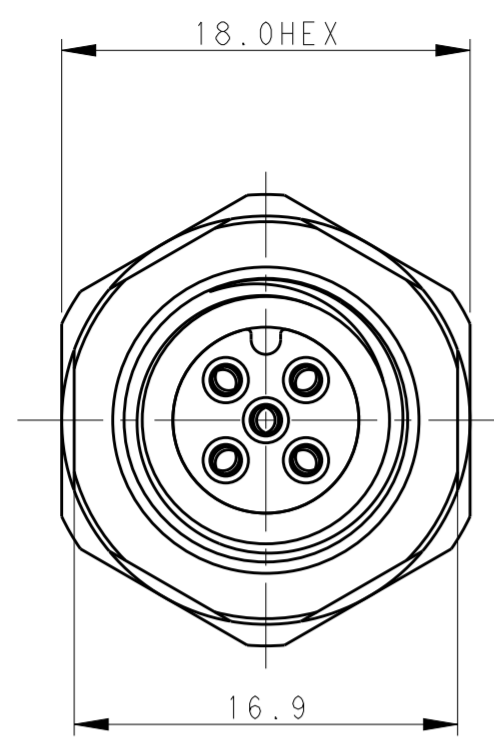


TABLE 1

TECHNICAL DATA	T4133012021-000	T4133012031-000	T4133012041-000	T4133012051-000
RATED VOLTAGE	250V	250V	250V	60V
RATED CURRENT	4A	4A	4A	4A
POLLUTION DEGREE	3	3	3	3
OVERVOLTAGE CATEGORY	II	II	II	II
MATERIAL GROUP	II	II	II	II
CONTACT RESISTANCE	<=10mΩ	<=10mΩ	<=10mΩ	<=10mΩ
INSULATION RESISTANCE	>100MΩ	>100MΩ	>100MΩ	>100MΩ
DEGREE OF PROTECTION	IP67	IP67	IP67	IP67
OPERATION TEMPEATURE	-40~85°C	-40~85°C	-40~85°C	-40~85°C

NOTE:
 1. TECHNICAL DATA: SEE TABLE 1
 2. RECOMMENDED MOUNT PANEL SEE DETAIL
 3. PRODUCT COMPLIES WITH IEC61076-2-101
 4. ALL MATERIALS TO BE ROHS COMPLIANT
 5. ALL MATERIALS TO BE REACH COMPLIANT
 6. PN INFORMATION FOR ASSEMBLY PARTS

注释:
 1: 技术参数, 见表1
 2: 推荐开孔尺寸详见如图所示
 3: 产品符合标准 IEC61076-2-101
 4: 所有材料符合ROHS参照标准 TEC-138-705
 5: 所有材料符合REACH参照标准 TEC-138-705
 6: 成品料号信息如下:

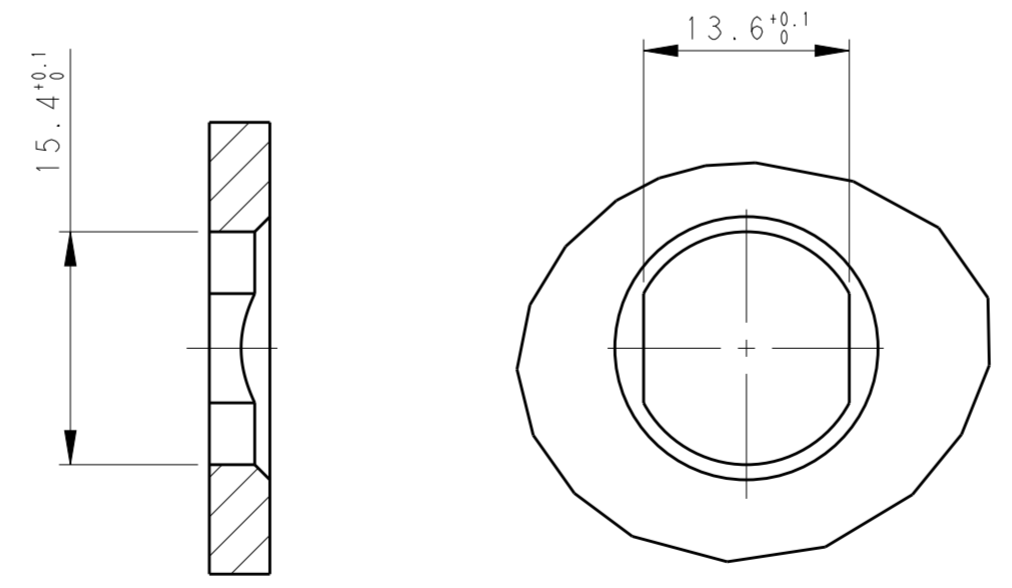
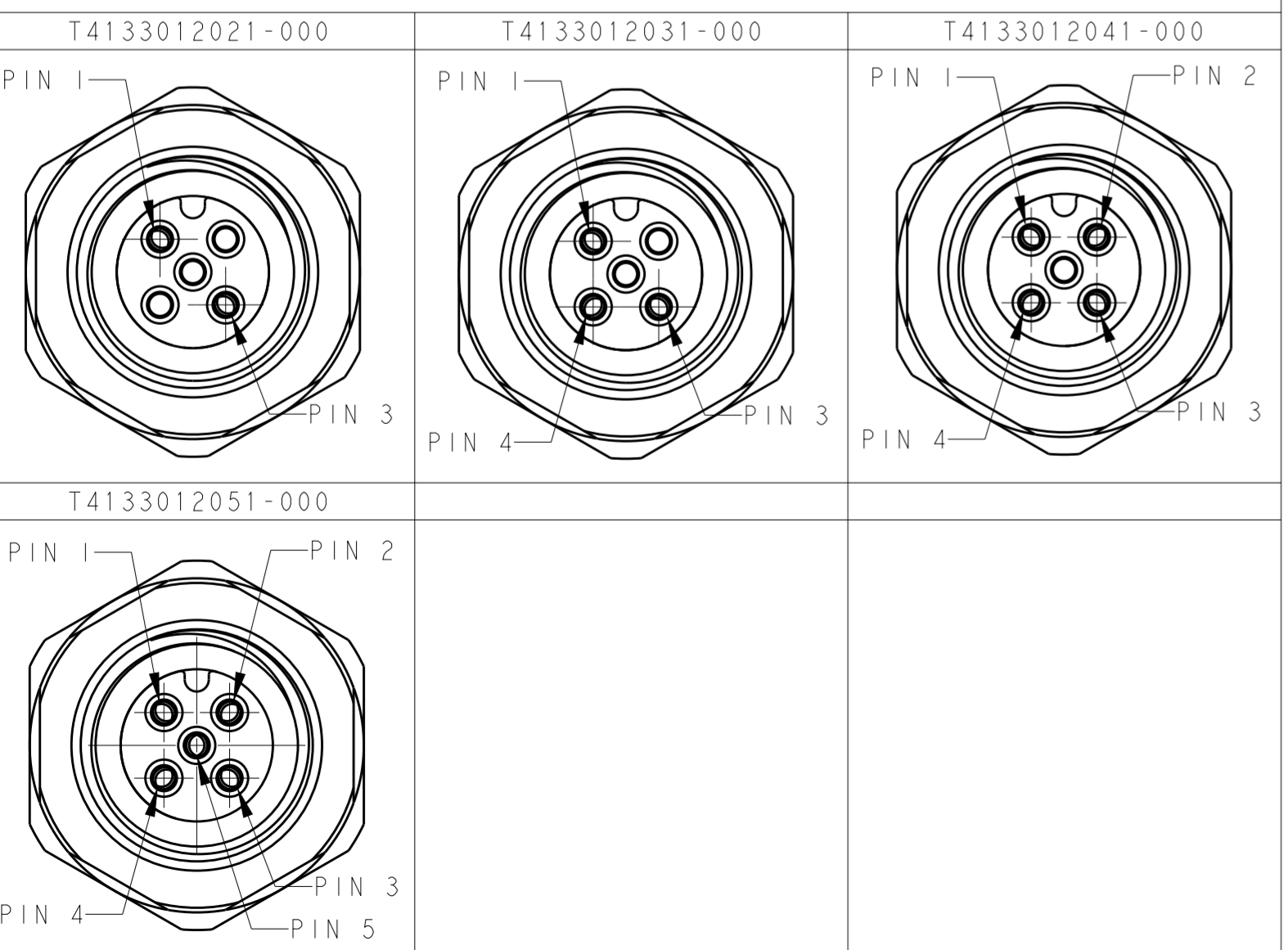
T41320120X1-000

- CONTACT FINISH:
1: GOLD 3u''
- NUMBER OF PINS:
02: 2 PINS
03: 3 PINS
04: 4 PINS
05: 5 PINS

T41320120X1-000

- 端子电镀:
1: 3u''金
- 针数:
02: 2 针
03: 3 针
04: 4 针
05: 5 针

PIN ARRANGEMENT A-CODE



RECOMMENDED PANEL CUTOUT

T4133012021-000	RPC-M12-FB-2CON-PG9-LAU
T4133012031-000	RPC-M12-FB-3CON-PG9-LAU
T4133012041-000	RPC-M12-FB-4CON-PG9-LAU
T4133012051-000	RPC-M12-FB-5CON-PG9-LAU

TE	PN	TYPE					
-	EPOXY RESIN	POTTING ADHESIVE	6	1	1	1	1
3u'' GOLD PLATED	COPPER ALLOY	CONTACT	5	2	3	4	5
80u'' NICKEL PLATED	COPPER ALLOY	METAL NUT	4	1	1	1	1
BLACK	RUBBER	O-RING	3	1	1	1	1
80u'' NICKEL PLATED	COPPER ALLOY	M12, MALE, METAL BODY	2	1	1	1	1
-	PA66	M12, MALE HSG	1	1	1	1	1

THIS DRAWING IS A CONTROLLED DOCUMENT.		DWN BO GAO 16FEB2016	TE Connectivity M12 PANEL MOUNT CONNECTOR A CODE, FEMALE, FRONT MOUNTING WIRE SOLDERING		
DIMENSIONS: mm		CHK KOBBY ZHAO 16FEB2016			
TOLERANCES UNLESS OTHERWISE SPECIFIED:		APVD XIANG XU 16FEB2016			
0 PLC ±0.2 1 PLC ±0.2 2 PLC ±0.2 3 PLC ±0.2 4 PLC ± ANGLES ± FINISH -		PRODUCT SPEC 108-106140 APPLICATION SPEC 114-137144 WEIGHT - CUSTOMER DRAWING			
MATERIAL -		SIZE A2	CAGE CODE -	DRAWING NO. C-T41330120X1000	RESTRICTED TO
		SCALE 3:1	SHEET 1 OF 1	REV C	