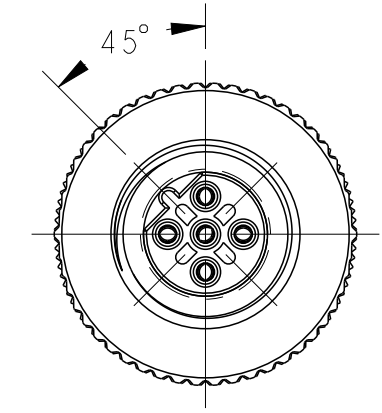
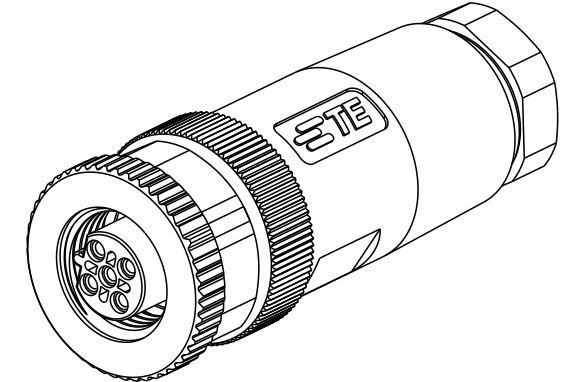
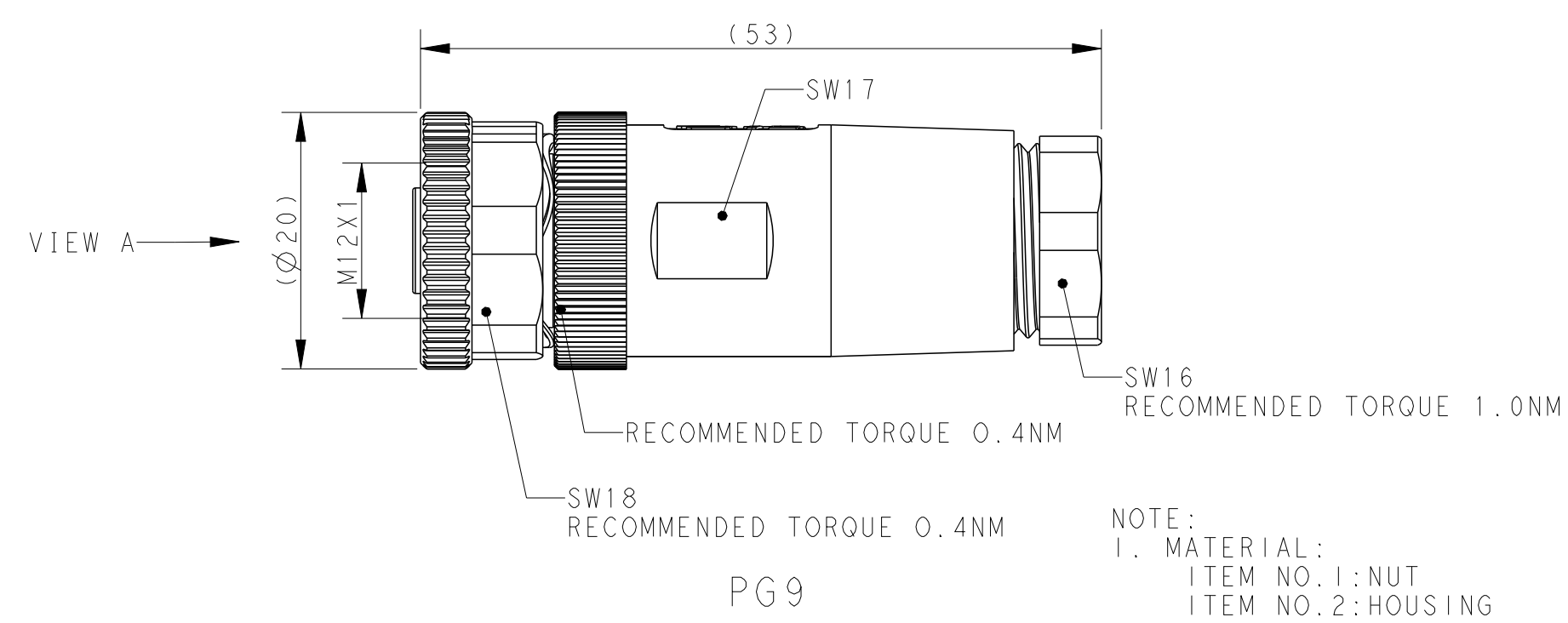
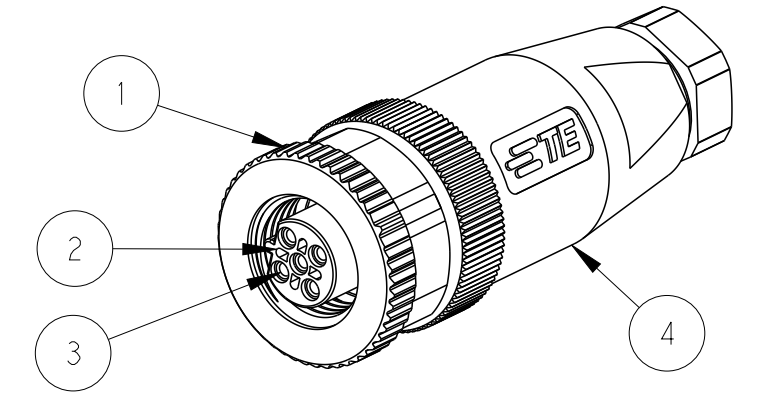
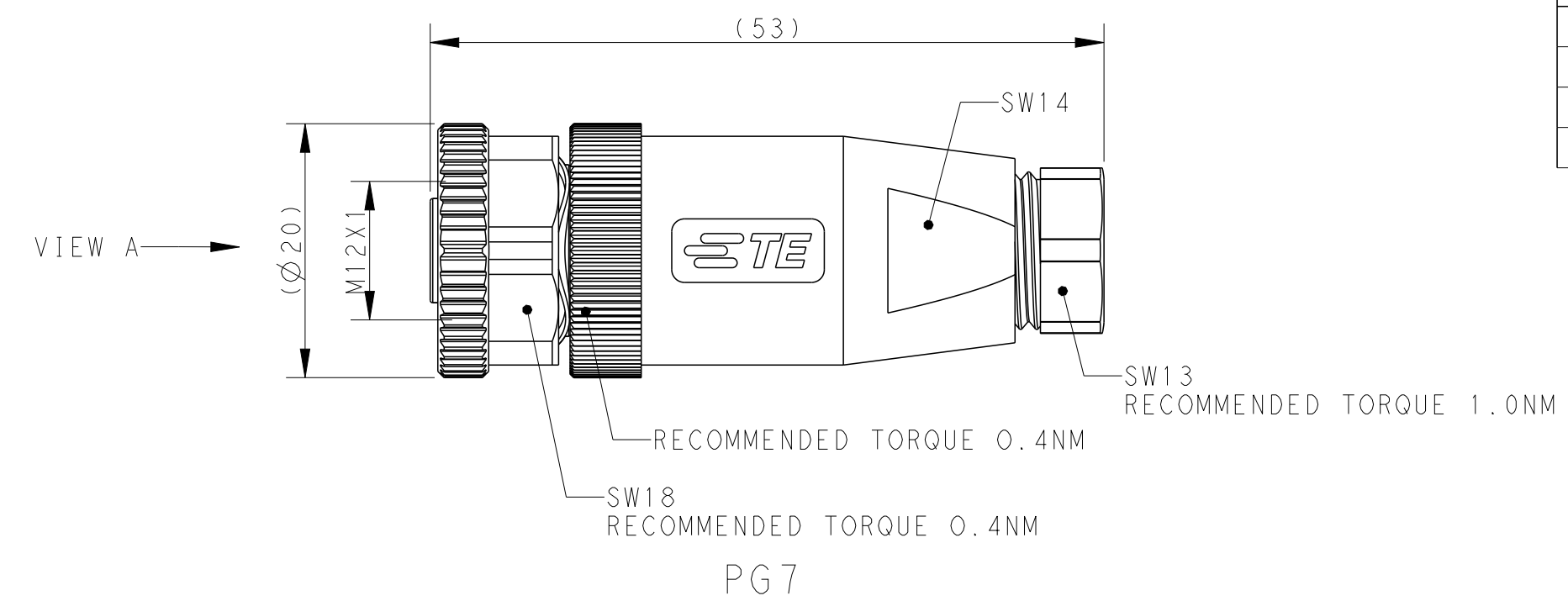


THIS DRAWING IS UNPUBLISHED. RELEASED FOR PUBLICATION 20  
 © COPYRIGHT 20 BY - ALL RIGHTS RESERVED.

REVISIONS					
P	LTR	DESCRIPTION	DATE	DWN	APVD
A		INITIAL RELEASE	08JUL2015	NP	XX
A1		ECR-15-018715 ADD 114SPEC.	29DEC2015	NP	XX
A2		ECR-20-012708 ADD PG9 MODEL	11SEP2020	S.C	C.W
B		ECR-22-132011	22AUG2022	BP	CW



VIEW A  
DETAIL SEE TABLE 1



- NOTE:
- MATERIAL:
    - ITEM NO.1: NUT - ZINC DIE-CAST, NICKEL PLATED
    - ITEM NO.2: HOUSING - PA
    - ITEM NO.3: CONTACT - BRONZE
    - ITEM NO.4: HOUSING BODY: - PBT+GF
  - CONTACT FINISH:
    - GOLD OVER NICKEL OR SILVER OVER NICKEL
  - CABLE WIRES:
    - 24AWG/0.25mm<sup>2</sup>...18AWG/0.75mm<sup>2</sup> (WITHOUT FERRULE)
    - 26AWG/0.14mm<sup>2</sup>...20AWG/0.50mm<sup>2</sup> (WITH FERRULE)
  - ALL DIMENSIONS ARE FOR NOMINAL REFERENCE ONLY UNLESS OTHERWISE STATED
  - PACKAGING: 1PIECE IN A BAG
  - PN INFORMATION

TECHNICAL DATA	T411040X02X-000	T411040X03X-000	T411040X04X-000	T411040X05X-000
RATED VOLTAGE	250V	250V	250V	60V
RATED CURRENT	4A	4A	4A	4A
POLLUTION DEGREE	3	3	3	3
OVERVOLTAGE CATEGORY	II	II	II	II
MATERIAL GROUP	II	II	II	II
CONTACT RESISTANCE	≤10mΩ	≤10mΩ	≤10mΩ	≤10mΩ
INSULATION RESISTANCE	>100MΩ	>100MΩ	>100MΩ	>100MΩ
DEGREE OF PROTECTION	IP67	IP67	IP67	IP67
OPERATION TEMPERATURE	-40~85°C	-40~85°C	-40~85°C	-40~85°C

TABLE 1		PIN ARRANGEMENT B-CODE	
T411040X02X-000	T411040X03X-000	T411040X04X-000	T411040X05X-000

T4110402051-000	RPC-M12B-FS-5CON-PG9-MU
T4110401051-000	RPC-M12B-FS-5CON-PG7-MU
T4110402052-000	RPC-M12B-FS-5CON-PG9-M
T4110401052-000	RPC-M12B-FS-5CON-PG7-M
T4110402041-000	RPC-M12B-FS-4CON-PG9-MU
T4110401041-000	RPC-M12B-FS-4CON-PG7-MU
T4110402042-000	RPC-M12B-FS-4CON-PG9-M
T4110401042-000	RPC-M12B-FS-4CON-PG7-M
T4110402031-000	RPC-M12B-FS-3CON-PG9-MU
T4110401031-000	RPC-M12B-FS-3CON-PG7-MU
T4110402032-000	RPC-M12B-FS-3CON-PG9-M
T4110401032-000	RPC-M12B-FS-3CON-PG7-M
T4110402021-000	RPC-M12B-FS-2CON-PG9-MU
T4110401021-000	RPC-M12B-FS-2CON-PG7-MU
T4110402022-000	RPC-M12B-FS-2CON-PG9-M
T4110401022-000	RPC-M12B-FS-2CON-PG7-M
TE PN	TYPE

T411040XXXX-000

- CONTACT FINISH:
  - 1: GOLD OVER NICKEL
  - 2: SILVER OVER NICKEL
- NUMBERS OF PINS:
  - 02: 2 PINS
  - 03: 3 PINS
  - 04: 4 PINS
  - 05: 5 PINS
  - 08: 8 PINS
- CABLE OUTLET:
  - 1: PG7(CABLE FEED: 4-6mm)
  - 2: PG9(CABLE FEED: 6-8mm)
- BRAND:
  - T: W/ TE LOGO

THIS DRAWING IS A CONTROLLED DOCUMENT.		DWN HAO WANG 08JAN2015	TE Connectivity	
		CHK KOBBY ZHAO 08JAN2015		
		APVD XIANG XU 08JAN2015	NAME M12 FEMALE, B CODE, STRAIGHT UNSHIELDED CONNECTOR SCREW TERMINAL	
DIMENSIONS: mm		TOLERANCES UNLESS OTHERWISE SPECIFIED:	PRODUCT SPEC 108-106140	
0 PLC ±		1 PLC ±0.2	APPLICATION SPEC 114-137144	
2 PLC ±0.2		3 PLC ±	WEIGHT -	
3 PLC ±		4 PLC ±	SIZE A2	
4 PLC ±		ANGLES ±	CAGE CODE -	
FINISH -			DRAWING NO. C-T411040XXXX000	
MATERIAL TBD			RESTRICTED TO -	
			SCALE 1:1 SHEET 1 OF 1 REV B	
			Customer Drawing	