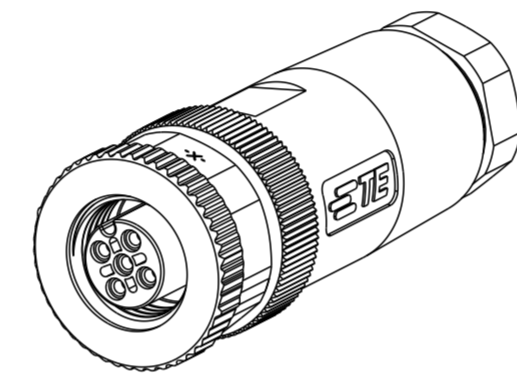
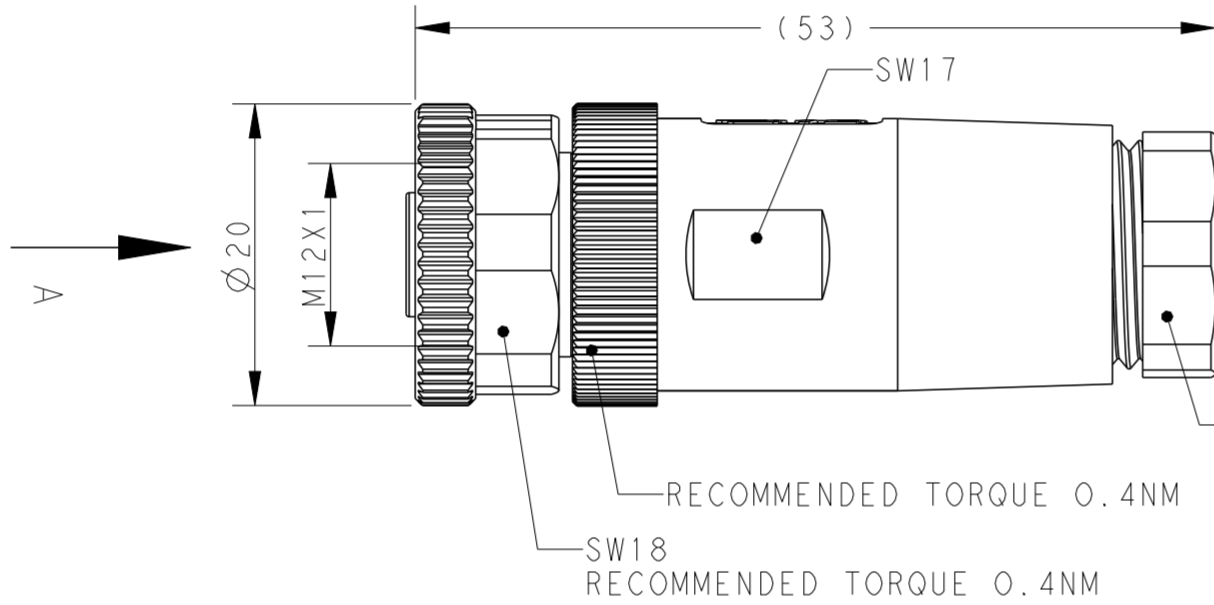
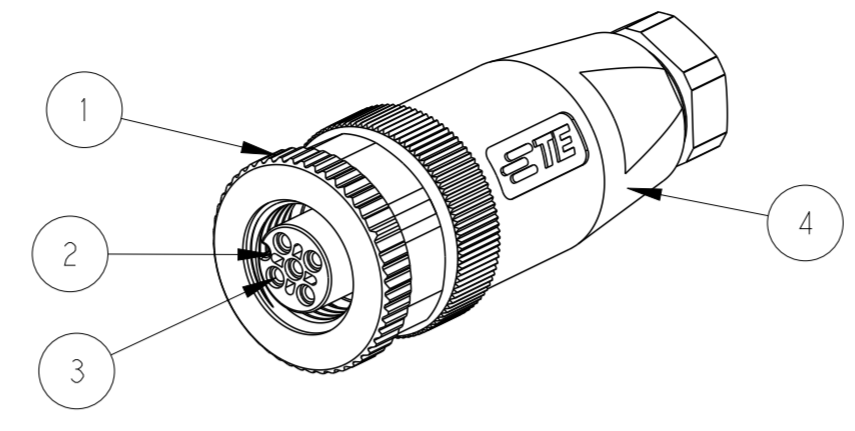
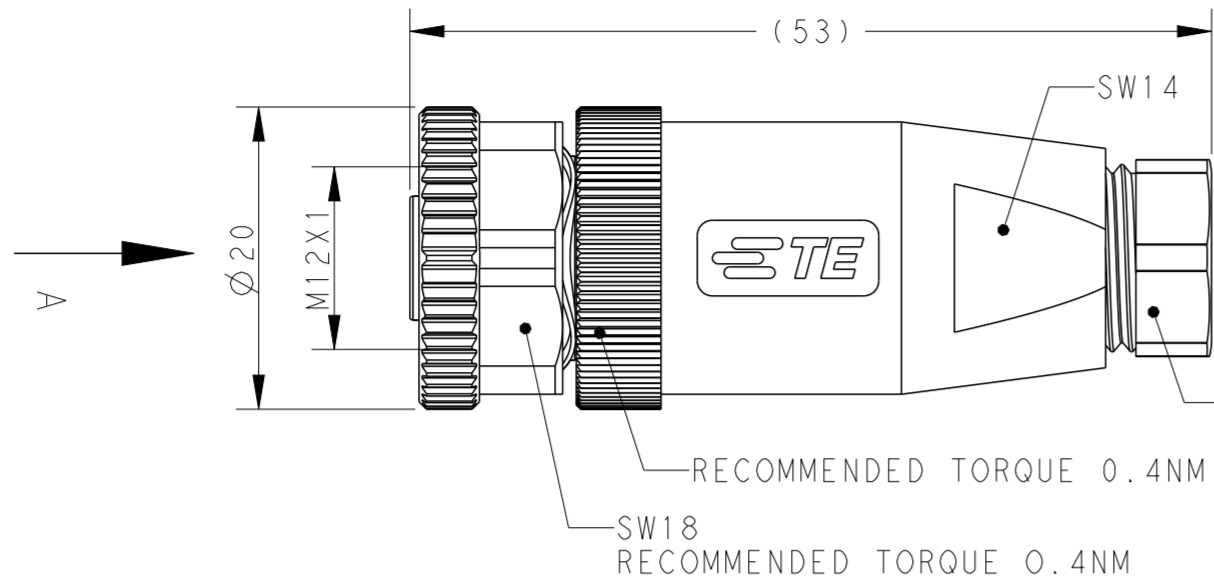
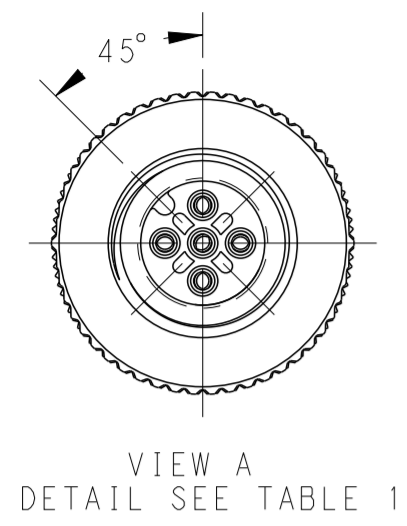


THIS DRAWING IS UNPUBLISHED. RELEASED FOR PUBLICATION 20
 © COPYRIGHT 20 BY - ALL RIGHTS RESERVED.

REVISIONS					
P	LTR	DESCRIPTION	DATE	DWN	APVD
	A	INITIAL RELEASE	08JUL2015	NP	XX
A1		ECR-15-018715 ADD 114 SPEC.	29DEC2015	NP	XX
A2		ECR-20-012708 ADD PG9 MODEL	11SEP2020	S.C	C.W
B		ECR-22-132011	20AUG2022	BP	CW

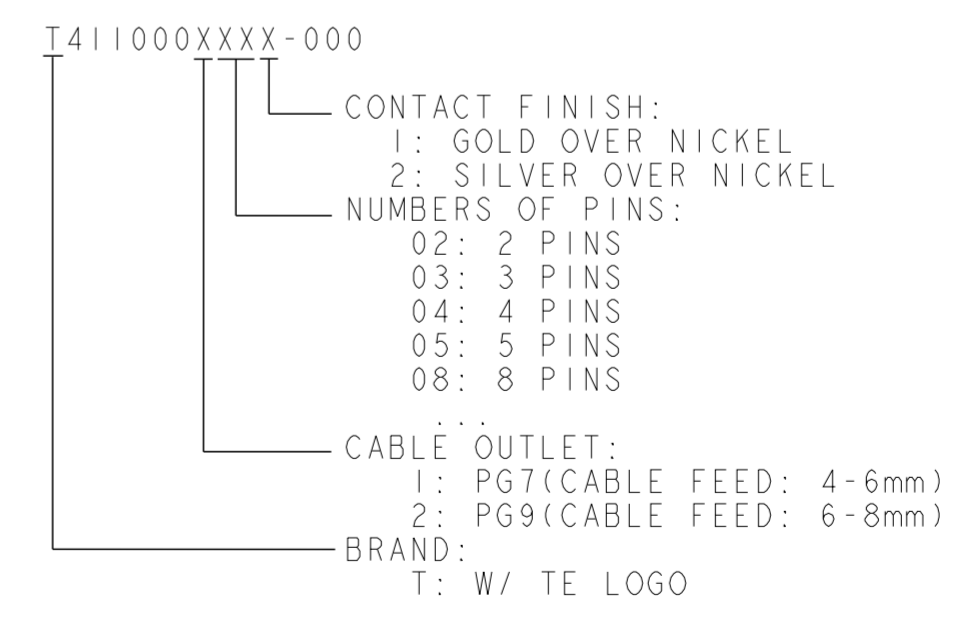


TECHNICAL DATA	T411000X02X-000	T411000X03X-000	T411000X04X-000	T411000X05X-000	T411000X08X-000
RATED VOLTAGE	250V	250V	250V	60V	30V
RATED CURRENT	4A	4A	4A	4A	2A
POLLUTION DEGREE	3	3	3	3	3
OVERVOLTAGE CATEGORY	II	II	II	II	II
MATERIAL GROUP	II	II	II	II	II
CONTACT RESISTANCE	≤10mΩ	≤10mΩ	≤10mΩ	≤10mΩ	≤10mΩ
INSULATION RESISTANCE	>100MΩ	>100MΩ	>100MΩ	>100MΩ	>100MΩ
DEGREE OF PROTECTION	IP67	IP67	IP67	IP67	IP67
OPERATION TEMPERATURE	-40~85°C	-40~85°C	-40~85°C	-40~85°C	-40~85°C

NOTE:
 1. MATERIAL:
 ITEM NO.1: NUT - ZINC DIE-CAST, NICKEL PLATED
 ITEM NO.2: HOUSING - PA
 ITEM NO.3: CONTACT - BRONZE
 ITEM NO.4: HOUSING BODY: -PBT+GF
 2. CONTACT FINISH:
 GOLD OVER NICKEL OR SILVER OVER NICKEL
 3. CABLE WIRES:
 FOR 2~5 PIN:
 24AWG/0.25mm²...18AWG/0.75mm² (WITHOUT FERRULE)
 26AWG/0.14mm²...20AWG/0.50mm² (WITH FERRULE)
 FOR 8 PIN:
 24AWG/0.25mm²...20AWG/0.50mm² (WITHOUT FERRULE)
 26AWG/0.14mm²...22AWG/0.34mm² (WITH FERRULE)
 4. ALL DIMENSIONS ARE FOR NOMINAL REFERENCE ONLY UNLESS OTHERWISE STATED
 5. PACKAGING: 1 PIECE IN A BAG
 6. PN INFORMATION

TABLE 1 PIN ARRANGEMENT A-CODE		
T411000X02X-000	T411000X03X-000	T411000X04X-000

T4110002081-000	RPC-M12-FS-8CON-PG9-MU
T4110002082-000	RPC-M12-FS-8CON-PG9-M
T4110001081-000	RPC-M12-FS-8CON-PG7-MU
T4110001082-000	RPC-M12-FS-8CON-PG7-M
T4110002051-000	RPC-M12-FS-5CON-PG9-MU
T4110001051-000	RPC-M12-FS-5CON-PG7-MU
T4110002052-000	RPC-M12-FS-5CON-PG9-M
T4110001052-000	RPC-M12-FS-5CON-PG7-M
T4110002041-000	RPC-M12-FS-4CON-PG9-MU
T4110001041-000	RPC-M12-FS-4CON-PG7-MU
T4110002042-000	RPC-M12-FS-4CON-PG9-M
T4110001042-000	RPC-M12-FS-4CON-PG7-M
T4110002031-000	RPC-M12-FS-3CON-PG9-MU
T4110001031-000	RPC-M12-FS-3CON-PG7-MU
T4110002032-000	RPC-M12-FS-3CON-PG9-M
T4110001032-000	RPC-M12-FS-3CON-PG7-M
T4110002021-000	RPC-M12-FS-2CON-PG9-MU
T4110001021-000	RPC-M12-FS-2CON-PG7-MU
T4110002022-000	RPC-M12-FS-2CON-PG9-M
T4110001022-000	RPC-M12-FS-2CON-PG7-M
TE PN	TYPE



THIS DRAWING IS A CONTROLLED DOCUMENT.		DWN HAO WANG 08JAN2015	TE Connectivity		
DIMENSIONS: mm		CHK KOBBY ZHAO 08JAN2015			
TOLERANCES UNLESS OTHERWISE SPECIFIED:		APVD XIANG XU 08JAN2015	NAME M12 FEMALE, A CODE, STRAIGHT UNSHIELDED CONNECTOR SCREW TERMINAL		
0 PLC ±0.2		PRODUCT SPEC 108-106140	SIZE A2		
1 PLC ±0.2		APPLICATION SPEC 114-137144	CAGE CODE -		
2 PLC ±0.2		WEIGHT -	DRAWING NO. C-T411000XXXX000		
3 PLC ±		CUSTOMER DRAWING	RESTRICTED TO		
4 PLC ±		SCALE 1:1	SHEET 1 OF 1		
ANGLES ±			REV B		
FINISH -					