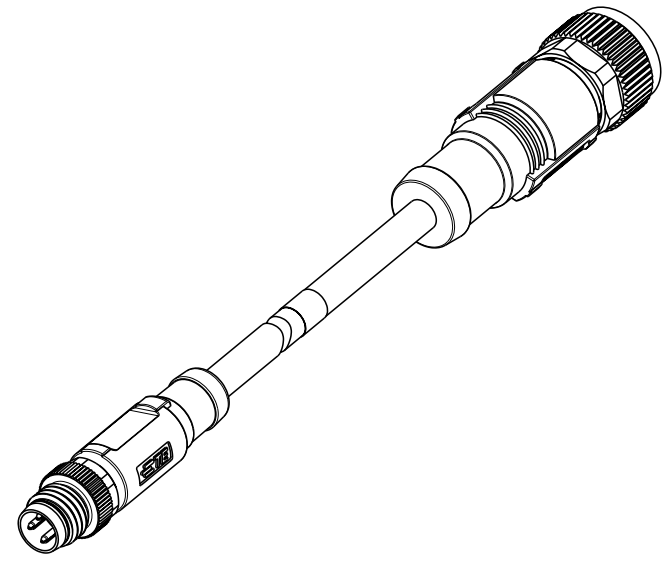
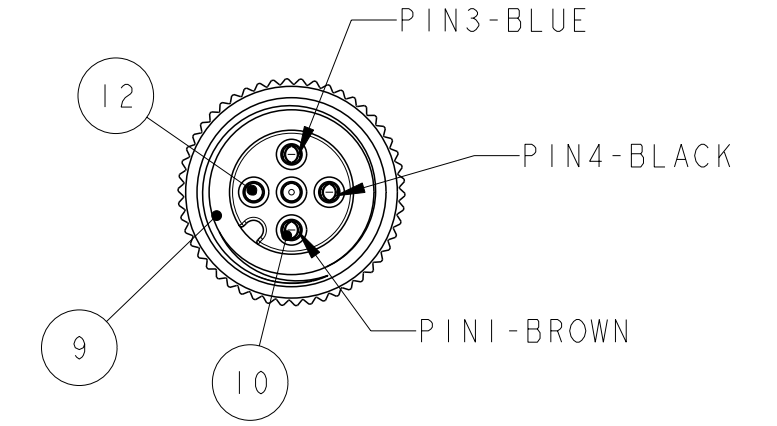
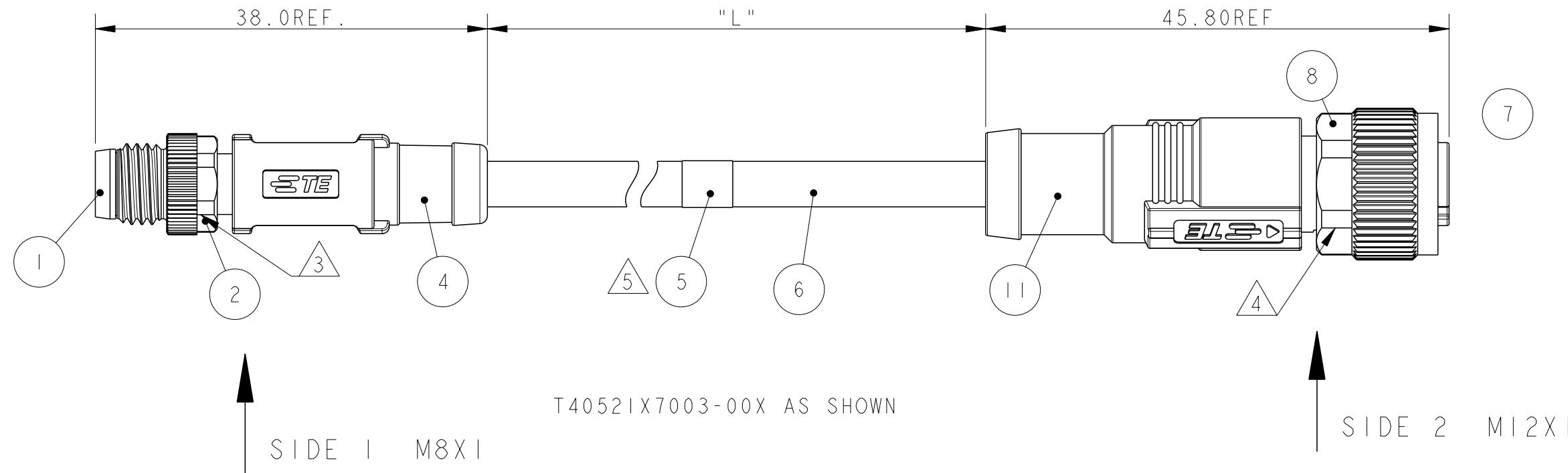
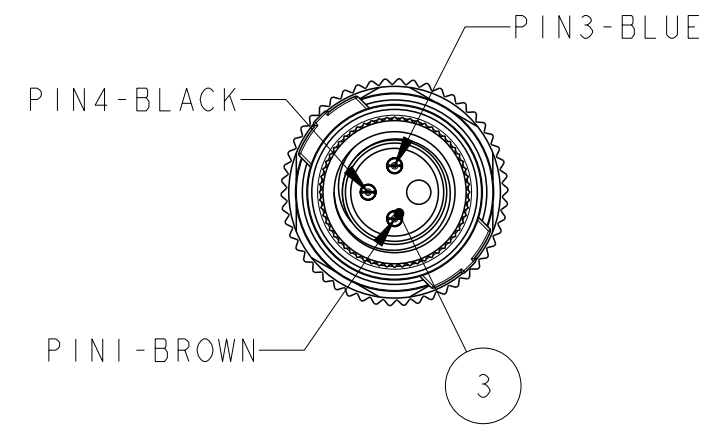


THIS DRAWING IS UNPUBLISHED. RELEASED FOR PUBLICATION  
 © COPYRIGHT - BY - ALL RIGHTS RESERVED.

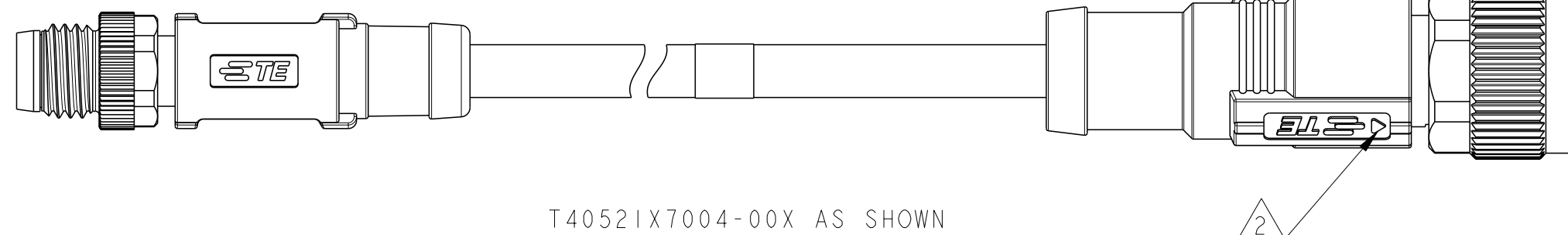
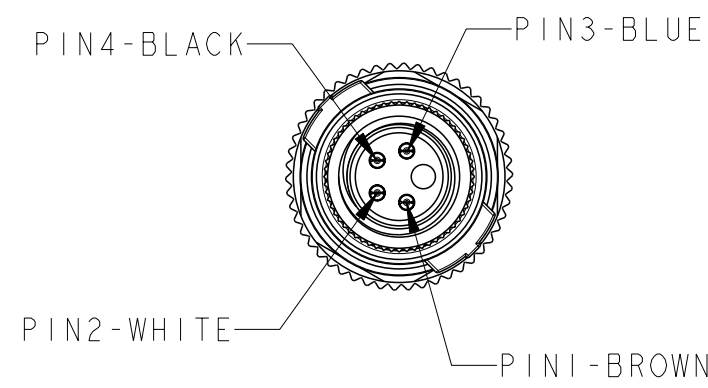
REVISIONS				
P	LTR	DESCRIPTION	DATE	APVD
A		NEW RELEASE	29SEP2018	AZ CW
B		ECR-24-209064 UPDATE OVER-MOLDING DIMENSION	22AUG2024	J.L C.W



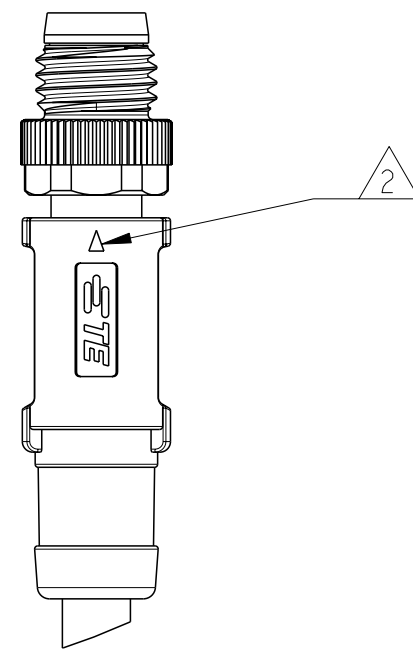
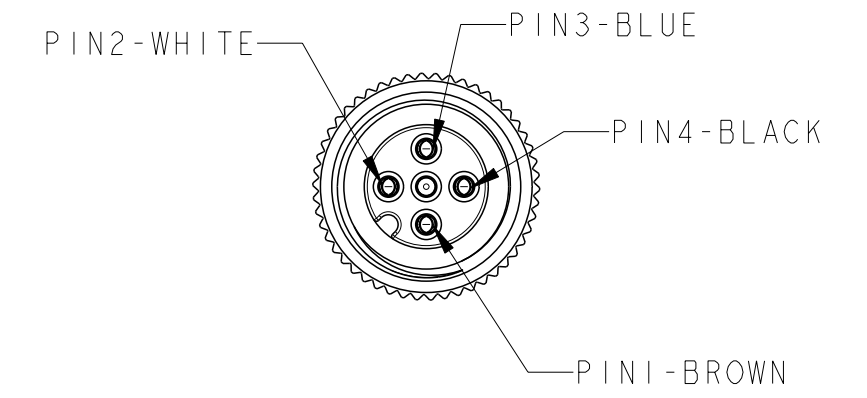
SCALE 1:1



T40521X7003-00X AS SHOWN



T40521X7004-00X AS SHOWN

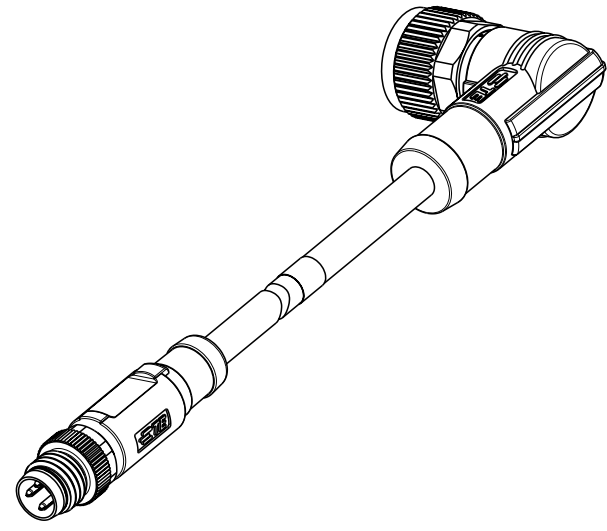


THIS DRAWING IS A CONTROLLED DOCUMENT.		DWN ALEX ZHANG 15AUG2018	TE Connectivity	
DIMENSIONS: mm		CHK HART HE 15AUG2018		
TOLERANCES UNLESS OTHERWISE SPECIFIED:		APVD CHRIS WANG 15AUG2018	NAME CABLE JUMPER, UNSHIELDED M8 MS TO MI2 FS OR FR, A-CODE	
0 PLC ±-		PRODUCT SPEC 108-106140	SIZE A2	RESTRICTED TO -
1 PLC ±-		APPLICATION SPEC 114-137144	CAGE CODE -	DRAWING NO G-T40521XX00XXXX
2 PLC ±-		WEIGHT -	SCALE 2:1	SHEET 1 OF 3
3 PLC ±-		CUSTOMER DRAWING	REV B	
4 PLC ±-				
ANGLES ±-				
FINISH				
material_2				
finish_spec_2				

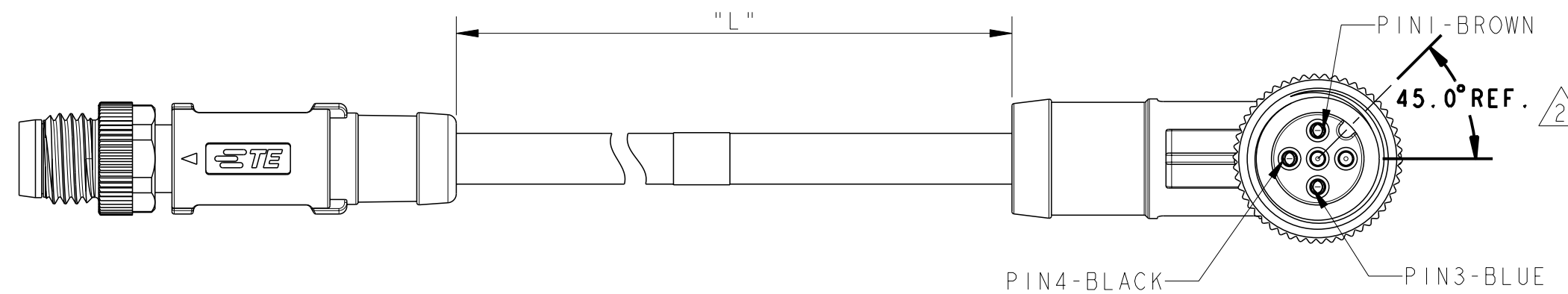
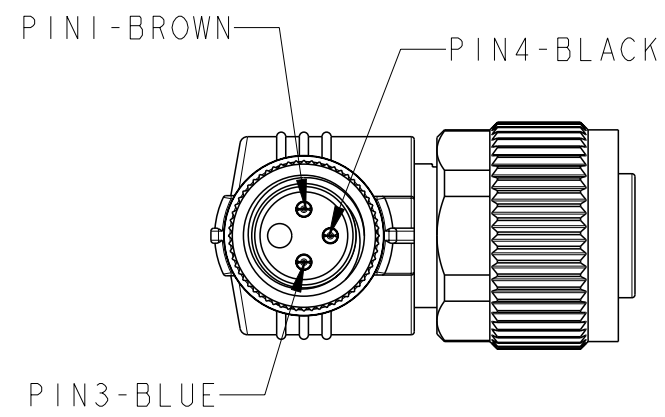
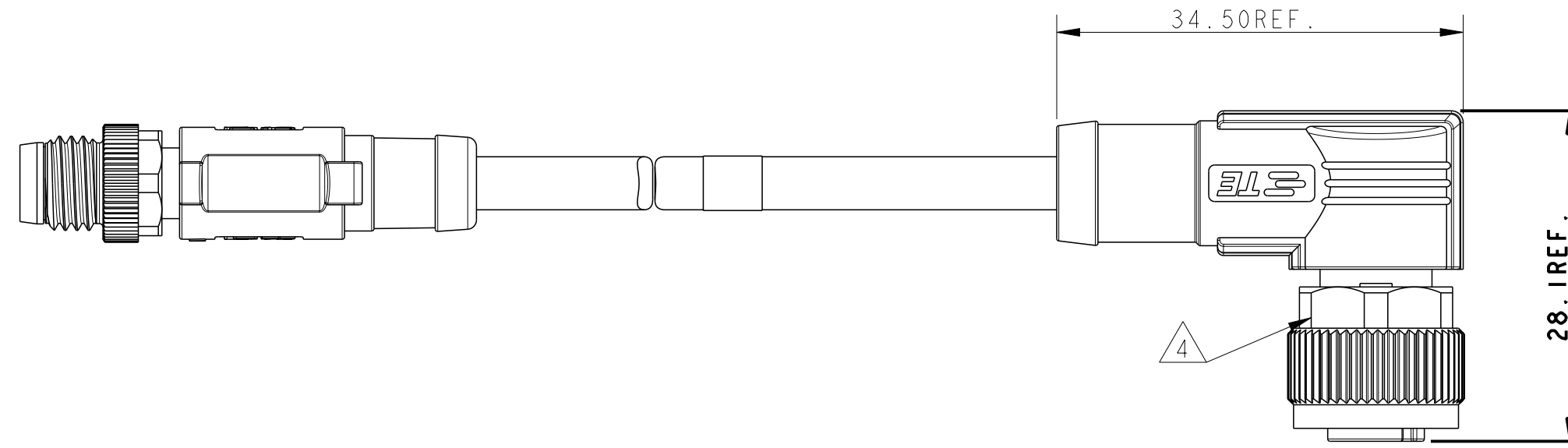
Printed on 23 Aug 2024 14:15 (China Standard Time) from TE495046

THIS DRAWING IS UNPUBLISHED. RELEASED FOR PUBLICATION  
 © COPYRIGHT - BY - ALL RIGHTS RESERVED.

REVISIONS				
P	LTR	DESCRIPTION	DATE	APVD
		SEE SHEET 1		

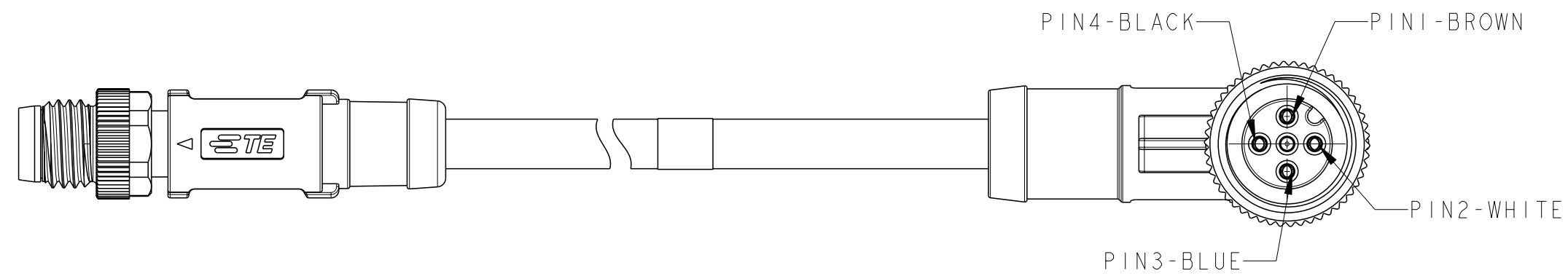
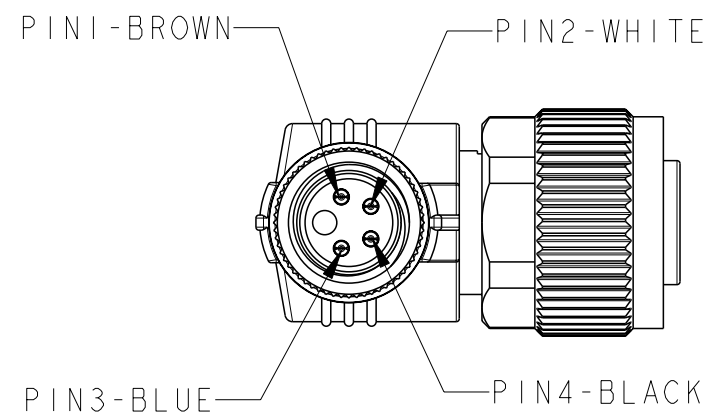


SCALE 1:1



↑ SIDE 1 M8X1 T40521X8003-00X AS SHOWN

↑ SIDE 2 M12X1



T40521X8004-00X AS SHOWN

THIS DRAWING IS A CONTROLLED DOCUMENT.		DWN ALEX ZHANG 15AUG2018	TE Connectivity	
DIMENSIONS: mm		CHK HART HE 15AUG2018		
TOLERANCES UNLESS OTHERWISE SPECIFIED:		APVD CHRIS WANG 15AUG2018	NAME CABLE JUMPER, UNSHIELDED M8 MS TO M12 FS OR FR, A-CODE	
0 PLC ± 1 PLC ± 2 PLC ± 3 PLC ± 4 PLC ± ANGLES ±		PRODUCT SPEC 108-106140	SIZE A2	
MATERIAL material_2		APPLICATION SPEC 114-137144	DRAWING NO C-T40521XX00XXXX	
FINISH finish_spec_2		WEIGHT -	RESTRICTED TO -	
CUSTOMER DRAWING		SCALE 1:1	SHEET 2 OF 3	
				REV B

Printed on 23 Aug 2024 14:15 (China Standard Time) from TE495046

THIS DRAWING IS UNPUBLISHED. RELEASED FOR PUBLICATION  
 © COPYRIGHT BY ALL RIGHTS RESERVED.

REVISIONS				
P	LTR	DESCRIPTION	DATE	APVD
		SEE SHEET 1		

TABLE 1							
TECHNICAL DATA	T4052117003-00X	T4052127003-00X	T4052118003-00X	T4052128003-00X	T4052117004-00X	T4052127004-00X	T4052118004-00X
RATED VOLTAGE	60V			30V			
RATED CURRENT	3A						
POLLUTION DEGREE	3						
OVERVOLTAGE CATEGORY	II						
MATERIAL GROUP	II						
DEGREE OF PROTECTION	IP67						

TABLE 2							
CABLE CHARACTERISTIC	LENGTH "L"	CABLE TEMP. RANGE	JACKET COLOR	JACKET MATERIAL	TYPE	POS.	PART NUMBER
WIRES: 0.25mm <sup>2</sup> (24AWG) WIRE COLOR: 1-BROWN, 2-WHITE, 3-BLUE, 4-BLACK	STANDARD: -001: 0.5m -002: 1.0m -003: 1.5m -004: 3.0m -005: 5.0m -006: 7.0m -007: 10.0m	FIXED: -40°C-80°C FLXIBLE: -25°C-80°C	GRAY	PUR (UL)	RPC-M8-4MS-**-M12-4FR-PUR	4	T4052128004-00X
					RPC-M8-4MS-**-M12-4FS-PUR	4	T4052127004-00X
WIRES: 0.25mm <sup>2</sup> (24AWG) WIRE COLOR: 1-BROWN, 3-BLUE, 4-BLACK	CUSTOMIZATION: -99X:<1.0M -XXX:>1.0M -AAX:99.XM	FIXED: -10°C-80°C FLXIBLE: -5°C-80°C	BLACK	PVC (UL)	RPC-M8-3MS-**-M12-3FR-PUR	3	T4052128003-00X
					RPC-M8-3MS-**-M12-3FS-PUR	3	T4052127003-00X
WIRES: 0.25mm <sup>2</sup> (24AWG) WIRE COLOR: 1-BROWN, 2-WHITE, 3-BLUE, 4-BLACK	TOLERANCE: 0m TO 1m: ±0.05m 1m TO 3m: ±0.1m >3m: ±1.5%	FIXED: -10°C-80°C FLXIBLE: -5°C-80°C	BLACK	PVC (UL)	RPC-M8-4MS-**-M12-4FR-PVC	4	T4052118004-00X
					RPC-M8-4MS-**-M12-4FS-PVC	4	T4052117004-00X
WIRES: 0.25mm <sup>2</sup> (24AWG) WIRE COLOR: 1-BROWN, 3-BLUE, 4-BLACK	TOLERANCE: 0m TO 1m: ±0.05m 1m TO 3m: ±0.1m >3m: ±1.5%	FIXED: -10°C-80°C FLXIBLE: -5°C-80°C	BLACK	PVC (UL)	RPC-M8-3MS-**-M12-3FR-PVC	3	T4052118003-00X
					RPC-M8-3MS-**-M12-3FS-PVC	3	T4052117003-00X
CABLE CHARACTERISTIC	LENGTH "L"	CABLE TEMP. RANGE	JACKET COLOR	JACKET MATERIAL	TYPE	POS.	PART NUMBER


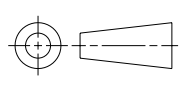
NOTES:

1. TECHNICAL DATA: SEE TABLE 1
2. CODE POSITION INDICATOR
3. RECOMMEND TORQUE 0.4Nm
4. RECOMMEND TORQUE 0.6Nm
5. TE LABEL AREA, INCLUDING PN, DATE CODE...
6. -00X: FOR CABLE LENGTH, SEE TABLE 2 AND REFER TO LENGTH "L"
7. -\*\*: CABLE LENGTH, -0.5:0.5M; -1.0:1.0M; -1.5:1.5M
8. CABLE ASSEMBLY TO BE PACKAGED IN POLYBAGS;

注意事项

1. 技术参数: 见表1
2. CODE 位置指示;
3. 推荐扭矩0.4 Nm;
4. 推荐扭矩0.6 Nm;
5. TE 标签位置 包含产品编号 日期代码...
6. -00X: 线长参考表2 参照长度"L"
7. -\*\*: 线长, -0.5:0.5M; -1.0:1.0M; -1.5:1.5M
8. 线缆组件塑料袋包装;

BLACK	PA66	END CAP	12
BLUE	TPU	M12 OVER-MOLDING	11
GOLD FLASH	COPPER ALLOY	FEMALE CONTACT	10
GRAY	SILICONE	O-RING	9
NICKEL PLATED	COPPER ALLOY	M12, FEMALE NUT	8
BLACK	PA66	M12, FEMALE HSG, A CODE, 5PINS	7
-	-	CABLE	6
-	-	TE LABEL	5
BLUE	TPU	M8 OVERMOLDING	4
GOLD FLASH	COPPER ALLOY	M8 MALE CONTACT	3
NICKEL PLATED	COPPER ALLOY	M8 MALE NUT	2
BALCK COLOR	PA66	M8 MALE HOUSING	1
COMMENTS 备注	MATERIAL 材质	DESCRIPTION 描述	ITEM NO 序号

THIS DRAWING IS A CONTROLLED DOCUMENT.		DWN ALEX ZHANG 15AUG2018	 TE Connectivity	
DIMENSIONS: mm		CHK HART HE 15AUG2018		
TOLERANCES UNLESS OTHERWISE SPECIFIED:		APVD CHRIS WANG 15AUG2018	NAME CABLE JUMPER, UNSHIELDED M8 MS TO M12 FS OR FR, A-CODE	
		PRODUCT SPEC 108-106140	SIZE A2	
MATERIAL material_2		FINISH finish_spec_2	APPLICATION SPEC 114-137144	DRAWING NO C-T40521XX00XXXX
CUSTOMER DRAWING		WEIGHT -	SCALE 1:1	RESTRICTED TO -
		SHEET 3 OF 3		REV B

Printed on 23 Aug 2024 14:15 (China Standard Time) from TE495046