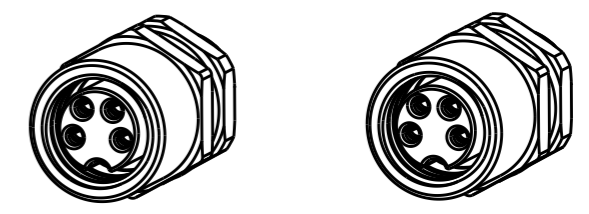
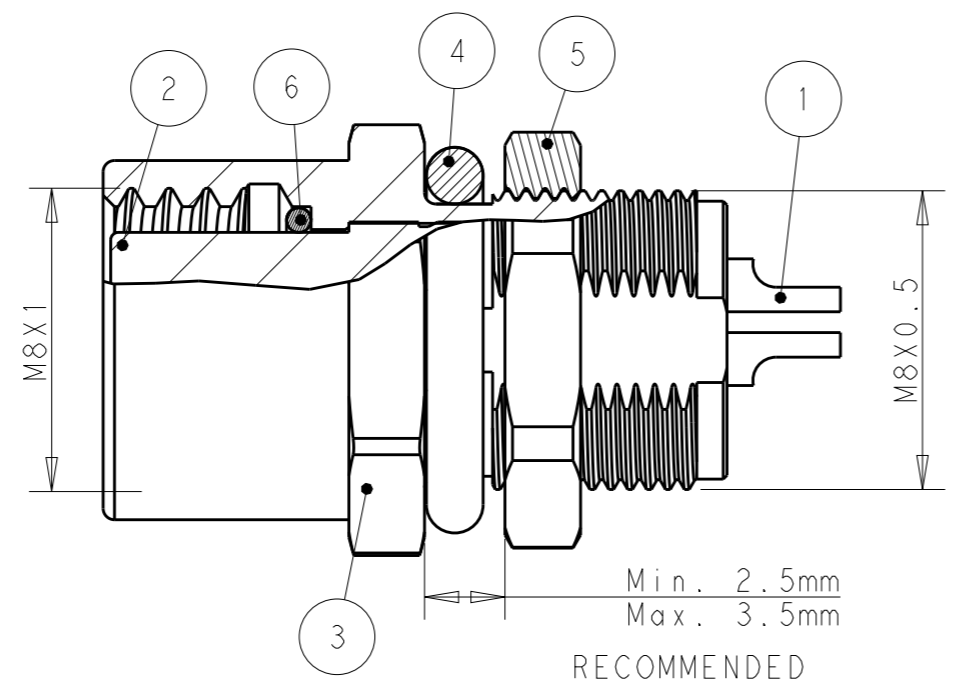
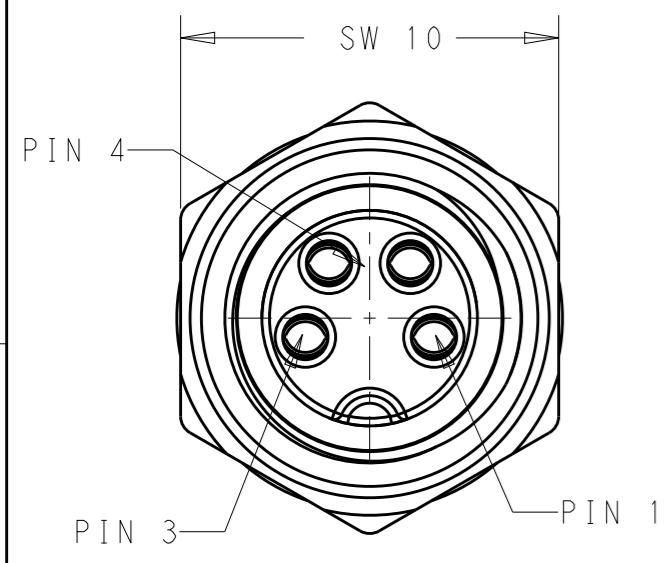


THIS DRAWING IS UNPUBLISHED. RELEASED FOR PUBLICATION 20
 © COPYRIGHT 20 BY - ALL RIGHTS RESERVED.

REVISIONS					
P	LTR	DESCRIPTION	DATE	DWN	APVD
	A	INITIAL RELEASE	19DEC2016	N.P	X.X

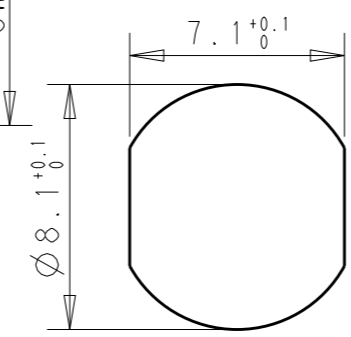
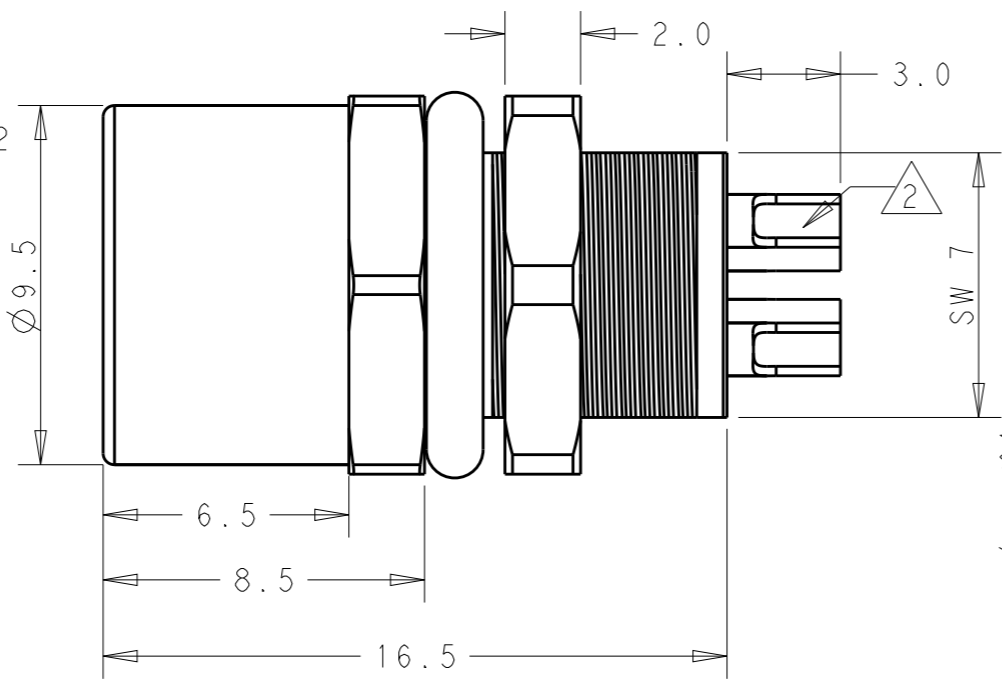
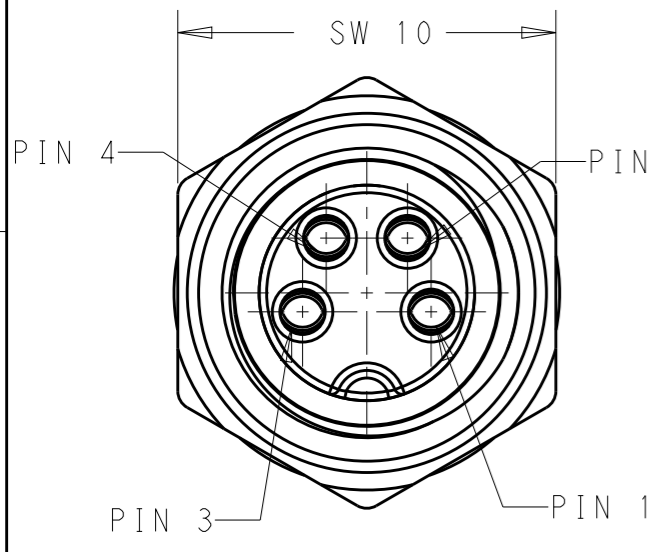


NOTES:

1. TECHNICAL DATA: SEE TABLE 1
2. CONTACT SOLIDER CUP;
3. THE WIRE COLOR FOR SOLIDERING: PIN 1 BROWN; PIN 2 WHITE; PIN 3 BLUE; PIN 4 BLACK;
4. ALL PRODUCT MUST COMPLIANCE WITH ROHS AND REACH.

注意事项

1. 技术参数：见表1
2. 端子焊杯；
3. 焊接线的颜色：PIN 1棕色，PIN 2白色，PIN 3蓝色，PIN 4黑色；
4. 产品必须符合ROHS与REACH.



PANEL MOUNTING HOLE

MATERIAL	DESCRIPITON	ITEM
RUBBER	INNER O-RING	6
COPPER ALLOY	NUT	5
RUBBER	O-RING	4
COPPER ALLOY	BODY NUT	3
PA66	HOUSING	2
COPPER ALLOY	CONTACT	1

TABLE 1

TECHNICAL DATA	T4033014031-000	T4033014041-000
RATED IMPULSE VOLTAGE	1500V	800V
RATED VOLTAGE	60V	30V
RATED CURRENT	3A	
POLLETION DEGREE	3	
OVERVOLTAGE CATEGORY	II	
MATERIAL GROUP	II	
DEGREE OF PROTECTION	IP67	
TEMPERATURE	-40°C~85°C	

THIS DRAWING IS A CONTROLLED DOCUMENT.

DIMENSIONS:	TOLERANCES UNLESS OTHERWISE SPECIFIED:
mm	
0 PLC	±0.25
1 PLC	±0.15
2 PLC	±
3 PLC	±
4 PLC	±
ANGLES	±
MATERIAL	FINISH
TBD	-
material_2	finish_spec_2

DWN	Nick Pan	02AUG2016
CHK	Kobby Zhao	02AUG2016
APVD	Xiang Xu	02AUG2016
PRODUCT SPEC	108-106140	
APPLICATION SPEC	114-137144-1	
WEIGHT	-	
CUSTOMER DRAWING		

RPC-M8-FB-4CON-M8-LAU	4	T4033014041-000
RPC-M8-FB-3CON-M8-LAU	3	T4033014031-000
TYPE	POS.	PART NUMBER

STE TE Connectivity

NAME: M8 PANEL CONNECTOR FEMALE SIDE SOLDER TYPE, FRONT MOUNTING

SIZE	CAGE CODE	DRAWING NO	RESTRICTED TO
A3	-	©-T40330140X1000	-

SCALE: 5:1 SHEET: 1 OF 1 REV: A