

THIS DRAWING IS UNPUBLISHED.

RELEASED FOR PUBLICATION

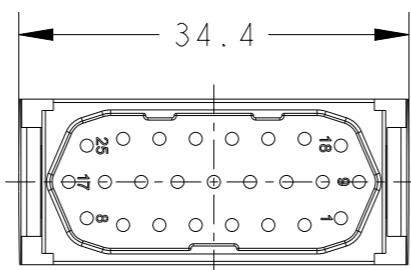
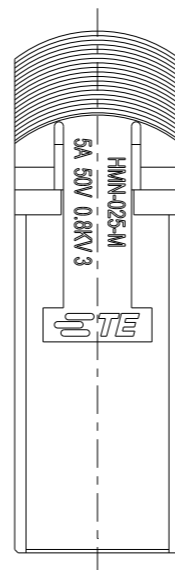
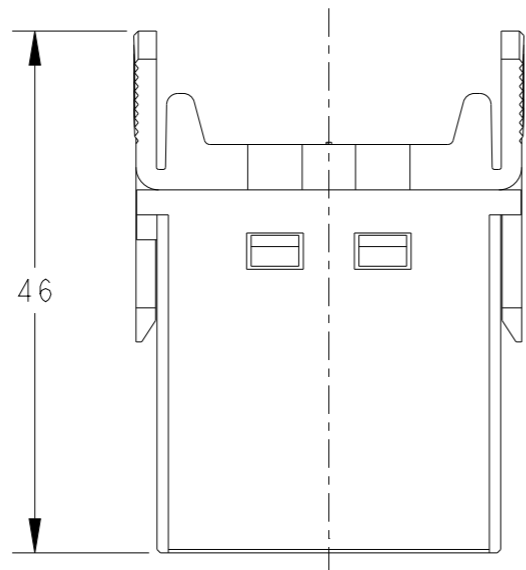
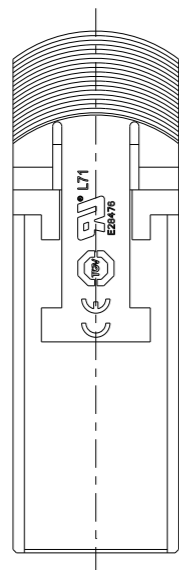
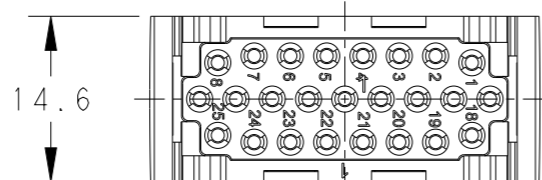
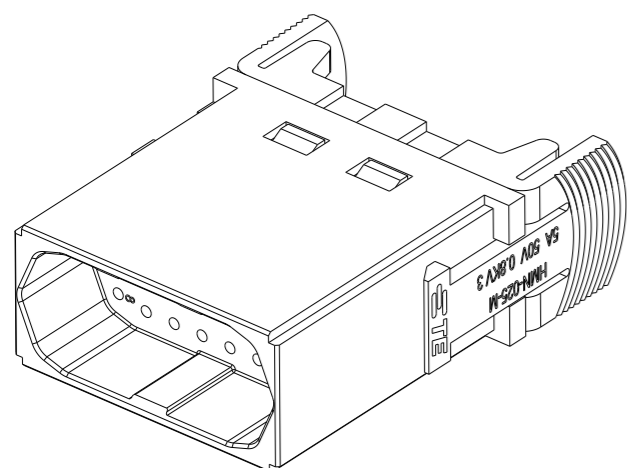
20

© COPYRIGHT 20 BY -

ALL RIGHTS RESERVED.

REVISIONS

P	LTR	DESCRIPTION	DATE	DWN	APVD
	A	INITIAL	13APR2015	DW	CW
	B	ECR-15-018270	10DEC2015	DW	CW
	C	ECR-21-111798	06OCT2021	WQR	CW



NOTES:

- TECHNICAL CHARACTERISTICS:
 INSULATION MATERIAL: PC
 RATED VOLTAGE: 50V
 RATED CURRENT: 5A
 INSULATION RESISTANCE: $\geq 400M\Omega$
 RATED IMPULSE VOLTAGE: 0.8KV
 POLLUTION DEGREE: 3
 FLAMMABILITY: UL94V-0
 MATING CYCLES: 500 CYCLES
 OPERATION TEMPERATURE: $-40\sim+125^{\circ}C$
 WIRE RANGE: $0.08\sim 0.52\text{ mm}^2$ (28~20 AWG)
 CONTACT TYPE: CRIMP CONTACT
- CONTACT NEED TO BE ORDERED SEPARATELY.
 (ORDER No. REFER TO DRAWING:T20700X10XX000)

注释:

- 技术参数:
 绝缘材料: PC
 额定电压: 50V
 额定电流: 5A
 绝缘电阻: $\geq 400M\Omega$
 额定脉冲电压: 0.8KV
 污染等级: 3
 阻燃等级: UL94V-0
 插拔次数: 500次
 工作温度: $-40\sim+125^{\circ}C$
 接线范围: $0.08\sim 0.52\text{ mm}^2$ (28~20 AWG)
 接线类型: 冷压接
- 端子需要单独订购.
 (订货号参考图面: T20700X10XX000)

HMN-025-M	T2111252101-000
DESCRIPTION	PART NUMBER



THIS DRAWING IS A CONTROLLED DOCUMENT.		DWN	13APR2015	NAME	HMN-025-M
		CHK	13APR2015		
		APVD	13APR2015		
		PRODUCT SPEC	108-137122		
DIMENSIONS: mm		TOLERANCES UNLESS OTHERWISE SPECIFIED:		APPLICATION SPEC	114-137122
		0 PLC	±-	SIZE	A3
		1 PLC	±-	CAGE CODE	00779
		2 PLC	±-	DRAWING NO	T2111252101000
		3 PLC	±-	RESTRICTED TO	-
		4 PLC	±-	SCALE	3:2
MATERIAL		ANGLES	±-	SHEET	1 OF 1
		FINISH	-	REV	C
			-	Customer Drawing	