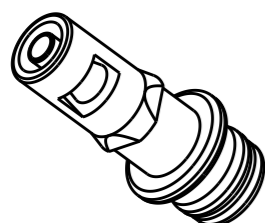


THIS DRAWING IS UNPUBLISHED. RELEASED FOR PUBLICATION 20  
© COPYRIGHT 20 BY - ALL RIGHTS RESERVED.

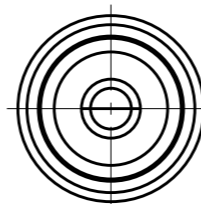
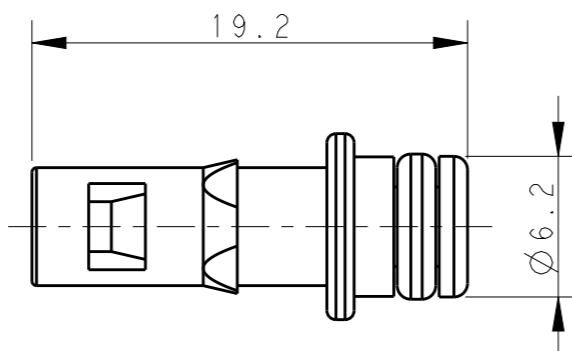
REVISIONS

| P | LTR | DESCRIPTION | DATE      | DWN | APVD |
|---|-----|-------------|-----------|-----|------|
|   | A   | INITIAL     | 10MAR2017 | RL  | CW   |
|   |     |             |           |     |      |
|   |     |             |           |     |      |

T2090002101-001 Pneu-c-M1.6



SCALE 2:1



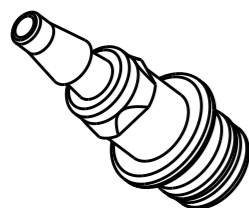
NOTES:

- MATERIAL: PC;  
SEALING MATERIAL: RUBBER
- TUBE ID:  
- 1.6 / 3.0 / 4.0mm  
(MATED WITH T2111032301-000 HMN-PA3)  
- 6.0mm (MATED WITH T2111022301-000 HMN-PA2)

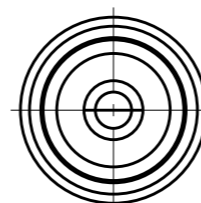
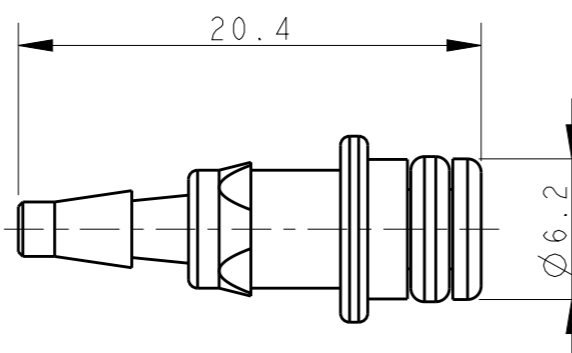
注释:

- 材料: PC;  
密封材料: 橡胶
- 导管内径:  
- 1.6 / 3.0 / 4.0mm  
(与T2111032301-000 HMN-PA3配合)  
- 6.0mm (与T2111022301-000 HMN-PA2配合)

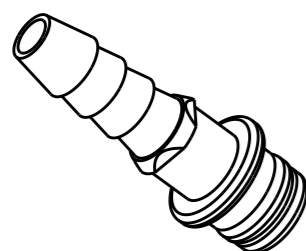
T2090002101-002 Pneu-c-M3.0



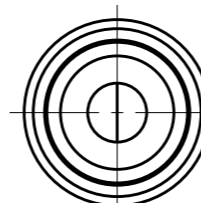
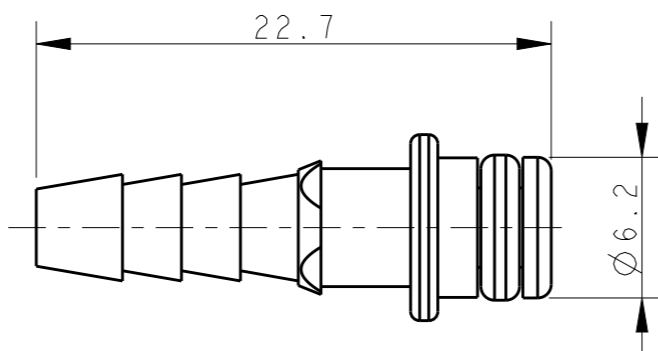
SCALE 2:1



T2090002101-003 Pneu-c-M4.0



SCALE 2:1



|                   |                        |  |                                     |
|-------------------|------------------------|--|-------------------------------------|
| T2090002101-001   | Pneu-c-M1.6            | Pneu-c $\varnothing$ 1.6 PIN CONTACT<br>Pneu-c $\varnothing$ 1.6公针 | 1.6                                 |
| T2090002101-002   | Pneu-c-M3.0            | Pneu-c $\varnothing$ 3.0 PIN CONTACT<br>Pneu-c $\varnothing$ 3.0公针 | 3.0                                 |
| T2090002101-003   | Pneu-c-M4.0            | Pneu-c $\varnothing$ 4.0 PIN CONTACT<br>Pneu-c $\varnothing$ 4.0公针 | 4.0                                 |
| PART NUMBER<br>料号 | PART DESCRIPTION<br>描述 |  | TUBE ID<br>导管内径( $\varnothing$ /mm) |

THIS DRAWING IS A CONTROLLED DOCUMENT.

| DIMENSIONS: | TOLERANCES UNLESS OTHERWISE SPECIFIED: |
|-------------|--|
| mm          |  |
|             | 0 PLC $\pm$ -                          |
|             | 1 PLC $\pm$ -                          |
|             | 2 PLC $\pm$ -                          |
|             | 3 PLC $\pm$ -                          |
|             | 4 PLC $\pm$ -                          |
|             | ANGLES $\pm$ -                         |
| MATERIAL    | FINISH                                 |
| -           | -                                      |
| -           | -                                      |

|                  |           |
|------------------|-----------|
| DWN              | 10MAR2017 |
| ROY LIU          |           |
| CHK              | 10MAR2017 |
| KYLE ZENG        |           |
| APVD             | 10MAR2017 |
| CHRIS WANG       |           |
| PRODUCT SPEC     | -         |
| APPLICATION SPEC | -         |
| WEIGHT           | -         |
| CUSTOMER DRAWING |           |

|                    |           |                  |               |
|--------------------|-----------|------------------|---------------|
| TE Connectivity    |           |                  |               |
| NAME<br>Pneu-c-MXX |           |                  |               |
| SIZE               | CAGE CODE | DRAWING NO       | RESTRICTED TO |
| A3                 | -         | ©-T209000210100X | -             |
| SCALE              |           | SHEET            | REV           |
| 3:1                |           | 1 OF 2           | A             |

4

3

2

1

THIS DRAWING IS UNPUBLISHED.

RELEASED FOR PUBLICATION

20

© COPYRIGHT 20 BY -

ALL RIGHTS RESERVED.

REVISIONS

| P | LTR | DESCRIPTION | DATE | DWN | APVD |
|---|-----|-------------|------|-----|------|
| - |     | SEE SHEET 1 | -    | -   | -    |
|   |     |             |      |     |      |
|   |     |             |      |     |      |

T2090002101-004 Pneu-c-M6.0

SCALE 2:1

NOTES:  
SEE SHEET 1

|                   |                        |  |                       |
|-------------------|------------------------|--|-----------------------|
| T2090002101-004   | Pneu-c-M6.0            | Pneu-c Ø6.0 PIN CONTACT<br>Pneu-c Ø6.0公针 | 6.0                   |
| PART NUMBER<br>料号 | PART DESCRIPTION<br>描述 |  | TUBE ID<br>导管内径(Ø/mm) |

|  |  |                                 |                    |      |
|--|--|---------------------------------|--------------------|------|
| THIS DRAWING IS A CONTROLLED DOCUMENT. |  | DWN<br>ROY LIU<br>10MAR2017     |                    |      |
| DIMENSIONS:<br>mm                      |  | CHK<br>KYLE ZENG<br>10MAR2017   |                    |      |
| TOLERANCES UNLESS OTHERWISE SPECIFIED: |  | APVD<br>CHRIS WANG<br>10MAR2017 | NAME<br>Pneu-c-MXX |      |
| 0 PLC ±-                               |  | PRODUCT SPEC                    | -                  |      |
| 1 PLC ±-                               |  | APPLICATION SPEC                | -                  |      |
| 2 PLC ±-                               |  | WEIGHT                          | -                  |      |
| 3 PLC ±-                               |  | SIZE                            | A3                 |      |
| 4 PLC ±-                               |  | CAGE CODE                       | -                  |      |
| ANGLES ±-                              |  | DRAWING NO                      | ©-T209000210100X   |      |
| FINISH                                 |  | RESTRICTED TO                   | -                  |      |
| -                                      |  | CUSTOMER DRAWING                | SCALE              | 3:1  |
| -                                      |  | SHEET                           | 2                  | OF 2 |
|  |  | REV                             | A                  |      |

1470-19 (3/13)