

REVISIONS

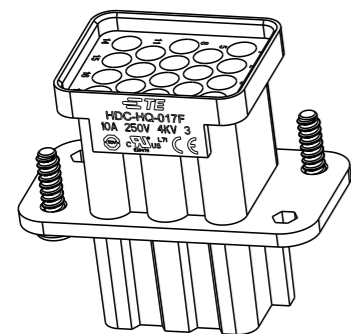
P	LTR	DESCRIPTION	DATE	DWN	APVD
A	1	ECR-18-004585	26MAR2018	DW	CW
B	1	ECR-19-006038	14MAY2019	BS	CW
C	1	ECR-21-117384	15NOV2021	WQR	CW
C	1	ECR-22-161571	03JAN2023	WQR	CW

NOTES:

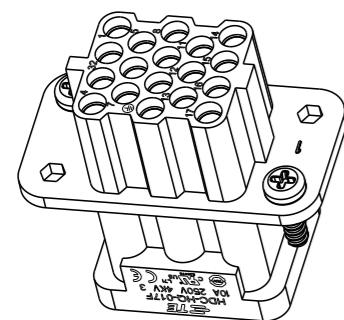
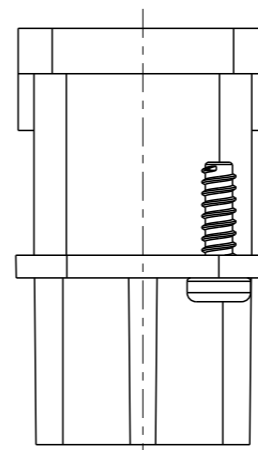
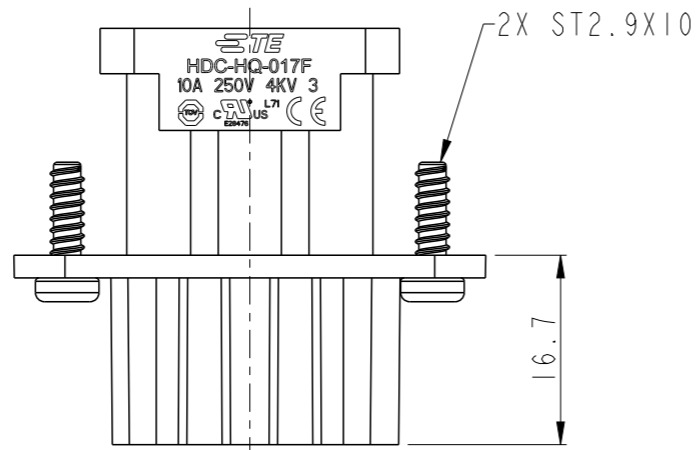
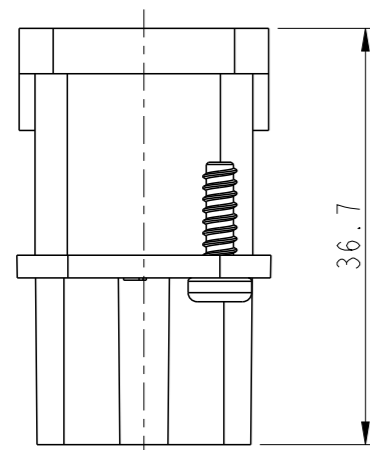
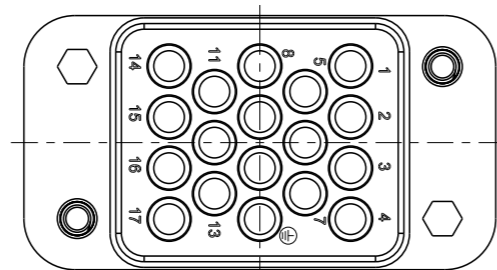
- TECHNICAL CHARACTERISTICS:
 INSULATION MATERIAL: PC (GRAY)
 RATED VOLTAGE: 250V
 RATED CURRENT: 10A
 INSULATION RESISTANCE: $\geq 400M\Omega$
 RATED IMPULSE VOLTAGE: 4KV
 POLLUTION DEGREE: 3
 FLAMMABILITY: UL94V-0
 MATING CYCLES: 500 CYCLES
 WIRE RANGE: 0.14mm²~2.5mm² (AWG26-AWG14)
 CONTACT TYPE: CRIMP CONTACT
- CONTACT NEED TO BE ORDERED SEPARATELY.
 (ORDER NO. REFER TO DRAWING: T20200X20XX000.)

注释:

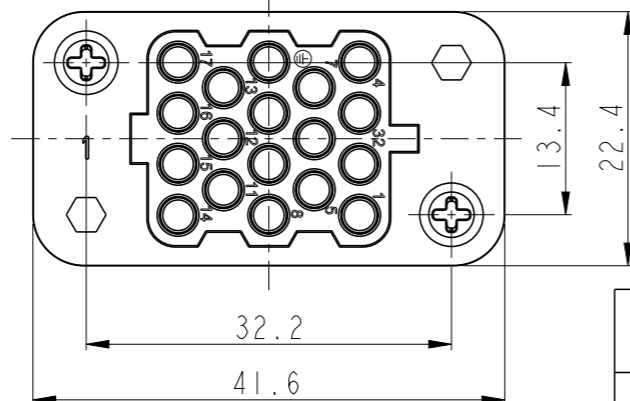
- 技术参数:
 绝缘材料: PC (GRAY)
 额定电压: 250V
 额定电流: 10A
 绝缘电阻: $\geq 400M\Omega$
 脉冲电压: 4KV
 污染等级: 3
 阻燃等级: UL94V-0
 插拔次数: 500次
 接线范围: 0.14mm²~2.5mm² (AWG26-AWG14)
 接线类型: 冷压接
- 端子需要单独订购.
 (订购单号参考图面:T20200X20XX000.)



SCALE 1:1



SCALE 1:1



T2080172201-000	HQ-017-F	HQ-017 FEMALE INSERT HQ-017母插
PART NUMBER 料号	PART DESCRIPTION 描述	

THIS DRAWING IS A CONTROLLED DOCUMENT.

DIMENSIONS:	TOLERANCES UNLESS OTHERWISE SPECIFIED:
mm	
0 PLC	±-
1 PLC	±-
2 PLC	±-
3 PLC	±-
4 PLC	±-
ANGLES	- ±
MATERIAL	FINISH
-	-
-	-

DWN	13OCT2016
CHK	13OCT2016
APVD	13OCT2016
PRODUCT SPEC	108-137116
APPLICATION SPEC	114-137116
WEIGHT	-
CUSTOMER DRAWING	

NAME		HQ-017-F	
SIZE	CAGE CODE	DRAWING NO	RESTRICTED TO
A3	-	©-T2080172201000	-
SCALE		SHEET	REV
3:2		1 OF 1	C1

