

REVISIONS

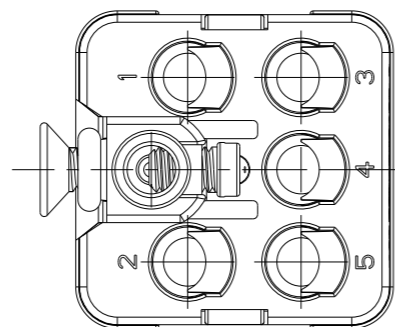
| P  | LTR           | DESCRIPTION | DATE      | DWN | APVD |
|----|---------------|-------------|-----------|-----|------|
| B1 | ECR-15-016505 |             | 11NOV2015 | DL  | CW   |
| B2 | ECR-16-009730 |             | 06JUL2016 | BS  | CW   |
| B3 | ECR-16-018198 |             | 13FEB2017 | QY  | CW   |
| C  | ECR-21-117384 |             | 09NOV2021 | WQR | CW   |

NOTES:

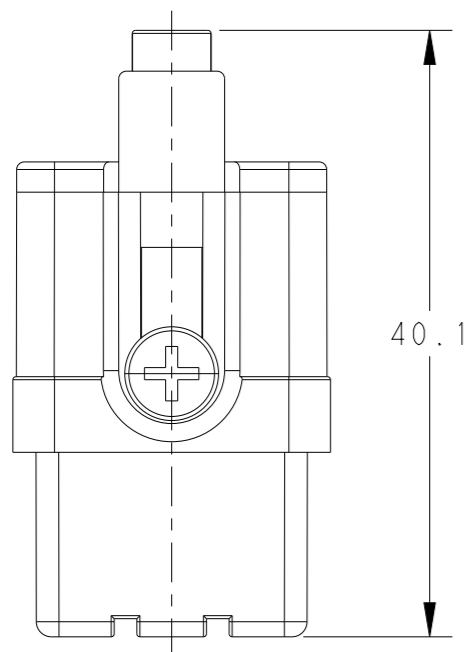
1. TECHNICAL CHARACTERISTICS:  
 INSULATION MATERIAL: PC  
 RATED VOLTAGE: 400 V  
 RATED CURRENT: 16 A  
 INSULATION RESISTANCE:  $\geq 400M\Omega$   
 RATED IMPULSE VOLTAGE: 4 KV  
 POLLUTION DEGREE: 3  
 FLAMMABILITY: UL94V-0  
 MATING CYCLES: 500 CYCLES  
 WIRE RANGE: 0.14-4.0 mm<sup>2</sup> (26-12 AWG)  
 CONTACT TYPE: CRIMP CONTACT
2. CONTACT NEED TO BE ORDERED SEPARATELY.  
 (ORDER No. REFER TO DRAWING: T20300X20XX000)

注释:

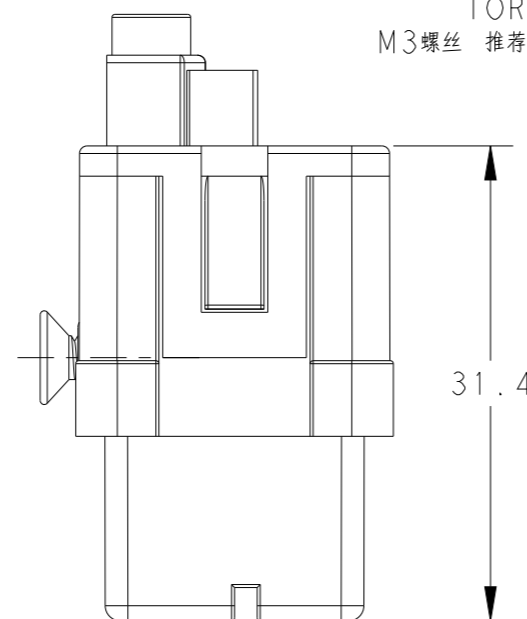
1. 技术参数:  
 绝缘材料: PC  
 额定电压: 400V  
 额定电流: 16A  
 绝缘电阻:  $\geq 400M\Omega$   
 额定脉冲电压: 4 KV  
 污染等级: 3  
 阻燃等级: UL94V-0  
 插拔次数: 500次  
 接线范围: 0.14-4.0 mm<sup>2</sup> (26-12 AWG)  
 接线类型: 冷压接
2. 端子需要单独订购.  
 (订货号参考图面: T20300X20XX000)



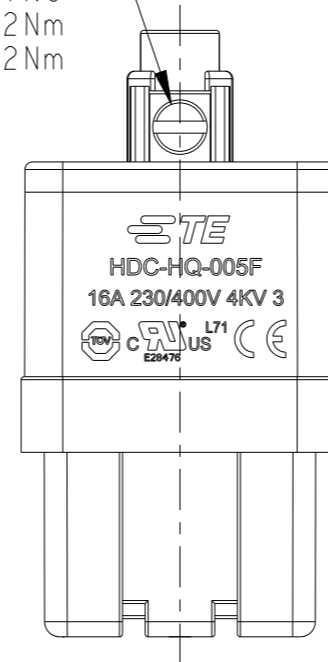
M3 SCREW  
 RECOMMENDED  
 TIGHTENING  
 TORQUE 0.2Nm  
 M3螺丝 推荐锁紧力矩0.2Nm



40.1



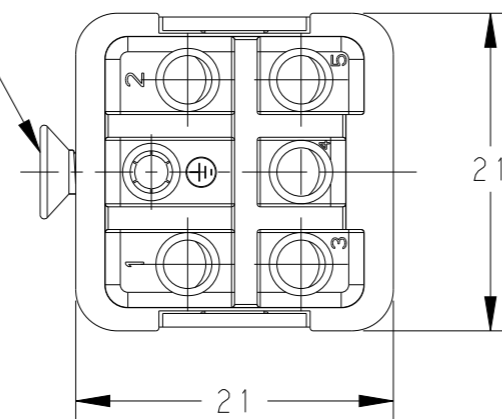
31.4



**STE**  
**HDC-HQ-005F**  
**16A 230/400V 4KV 3**

UL L71  
 CE

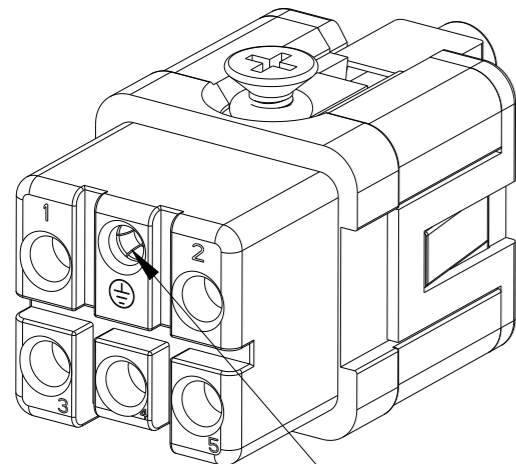
M3 SCREW RECOMMENDED  
 TIGHTENING TORQUE 0.2Nm  
 M3螺丝 推荐锁紧力矩0.2Nm




21

TYPE-1: T2080052201-000 TE LOGO  
 类型-1: T2080052201-000 TE LOGO

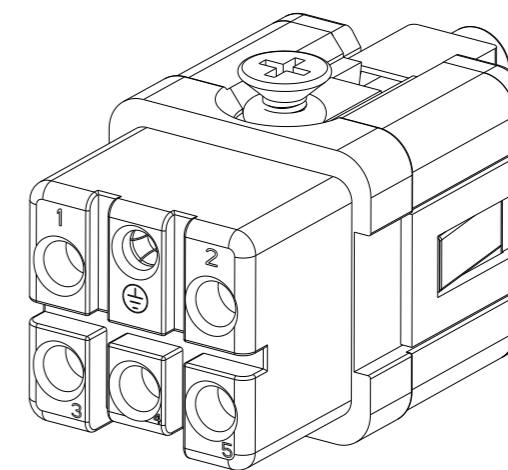
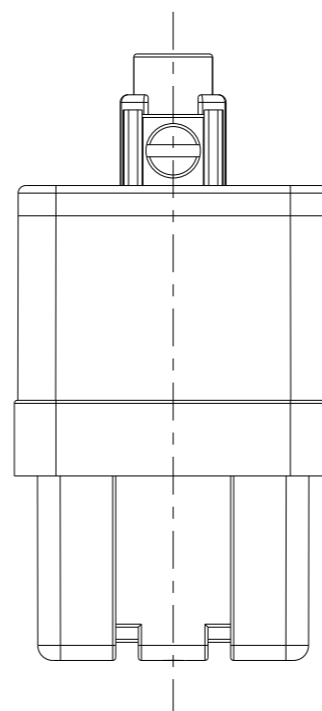
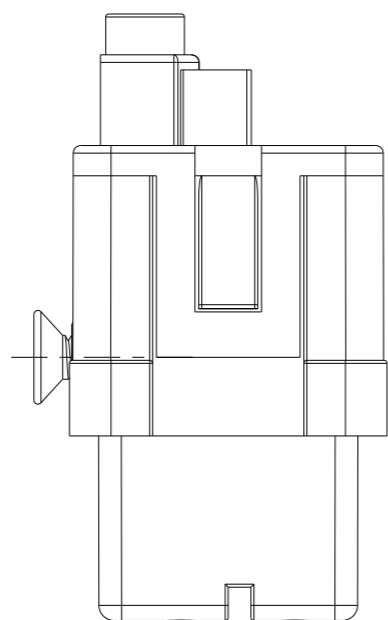
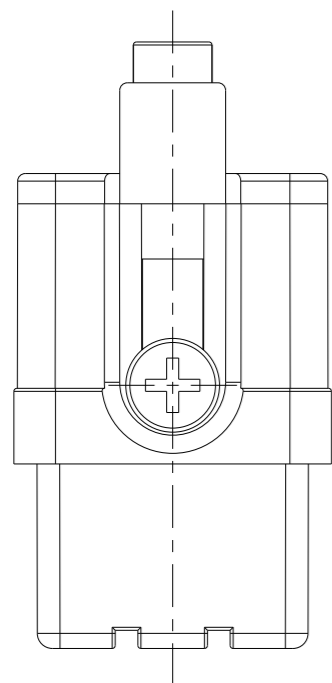
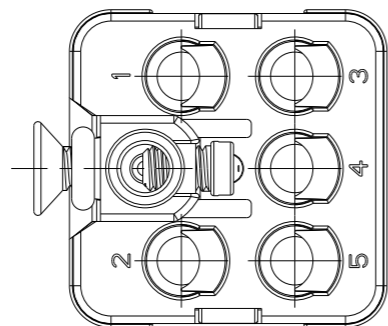
TYPE-2: T2080052201-001 STAINLESS STEEL SCREW, TE LOGO  
 类型-2: T2080052201-001 不锈钢螺丝, TE LOGO



GROUNDING CONTACT TYPE: SCREW CONTACT  
 GROUNDING CONTACT FINISH: SILVER PLATED  
 WIRE RANGE: 2.5mm (AWG14)  
 接地端子类型: 螺丝连接端子 / 接地端子表面处理: 镀银 / 接线范围: 2.5mm<sup>2</sup> (AWG14)

|  |        |                  |            |   |           |                  |               |
|--|--------|------------------|------------|---|-----------|------------------|---------------|
| THIS DRAWING IS A CONTROLLED DOCUMENT. |        | DWN              | 10JAN2015  |  TE Connectivity |           |                  |               |
| DIMENSIONS:                            |        | CHK              | 10JAN2015  |   |           |                  |               |
| mm                                     |        | APVD             | 10JAN2015  |   |           |                  |               |
| TOLERANCES UNLESS OTHERWISE SPECIFIED: |        | NAME             | HQ-005-F   |   |           |                  |               |
| 0 PLC                                  | ±-     | PRODUCT SPEC     | 108-137054 | SIZE  | CAGE CODE | DRAWING NO       | RESTRICTED TO |
| 1 PLC                                  | ±-     | APPLICATION SPEC | 114-137054 | A3  | 00779     | ©-T2080052201000 | -             |
| 2 PLC                                  | ±-     | WEIGHT           | -          | SCALE   |           | SHEET            | REV           |
| 3 PLC                                  | ±-     |                  |            | 2:1   |           | 1 OF 2           | C             |
| 4 PLC                                  | ±-     |                  |            | Customer Drawing  |           |                  |               |
| ANGLES                                 | ±-     |                  |            |   |           |                  |               |
| MATERIAL                               | FINISH |                  |            |   |           |                  |               |
| -                                      | -      |                  |            |   |           |                  |               |
| -                                      | -      |                  |            |   |           |                  |               |

| P | LTR | DESCRIPTION | DATE | DWN | APVD |
|---|-----|-------------|------|-----|------|
| - |     | SEE SHEET 1 | -    | -   | -    |
|   |     |             |      |     |      |
|   |     |             |      |     |      |

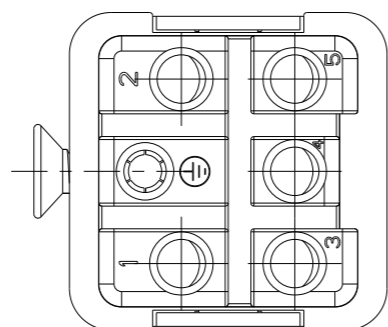


NOTES:  
SEE SHEET 1


注释:  
见页 1

TYPE-3: T2080052201-002 STAINLESS STEEL SCREW, NO LOGO  
类型-3: T2080052201-002 不锈钢螺丝, 无LOGO

ALL DIMENSIONS ARE SAME AS TYPE 1,  
EXCEPT THOSE DEFINED IN THIS TYPE.  
除了在本类型中定义的尺寸外, 其它尺寸同类型 1



|                   |                        |  |                |
|-------------------|------------------------|--|----------------|
| T2080052201-002   | HQ-005-F               | HQ-005 FEMALE INSERT,<br>STAINLESS STEEL SCREW, NO LOGO<br>HQ-005 母插, 不锈钢螺丝, 无LOGO | TYPE-3<br>类型-3 |
| T2080052201-001   | HQ-005-F               | HQ-005 FEMALE INSERT, STAINLESS STEEL SCREW<br>HQ-005 母插, 不锈钢螺丝                    | TYPE-2<br>类型-2 |
| T2080052201-000   | HQ-005-F               | HQ-005 FEMALE INSERT<br>HQ-005 母插  | TYPE-1<br>类型-1 |
| PART NUMBER<br>料号 | PART DESCRIPTION<br>描述 |  | TYPE<br>类型     |

|   |  |                                |   |  |
|---|--|--------------------------------|---|--|
| THIS DRAWING IS A CONTROLLED DOCUMENT.                                |  | DWN 10JAN2015<br>David Wang    |  TE Connectivity |  |
| DIMENSIONS:<br>mm   |  | CHK 10JAN2015<br>Chris Wang    |   |  |
| TOLERANCES UNLESS OTHERWISE SPECIFIED:                                |  | APVD 10JAN2015<br>Xiang Xu     | NAME<br>HQ-005-F  |  |
| 0 PLC ±-<br>1 PLC ±-<br>2 PLC ±-<br>3 PLC ±-<br>4 PLC ±-<br>ANGLES ±- |  | PRODUCT SPEC<br>108-137054     | SIZE CAGE CODE DRAWING NO RESTRICTED TO   |  |
| MATERIAL  |  | APPLICATION SPEC<br>114-137054 | A300779 C-T2080052201000  |  |
| FINISH  |  | WEIGHT                         | SCALE 2:1 SHEET 2 OF 2 REV C  |  |
|   |  | Customer Drawing               |   |  |