

4

3

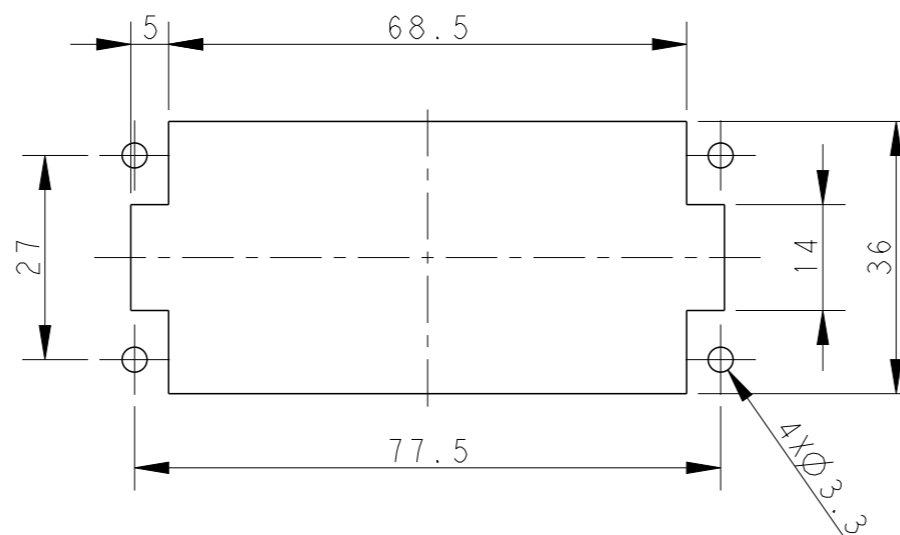
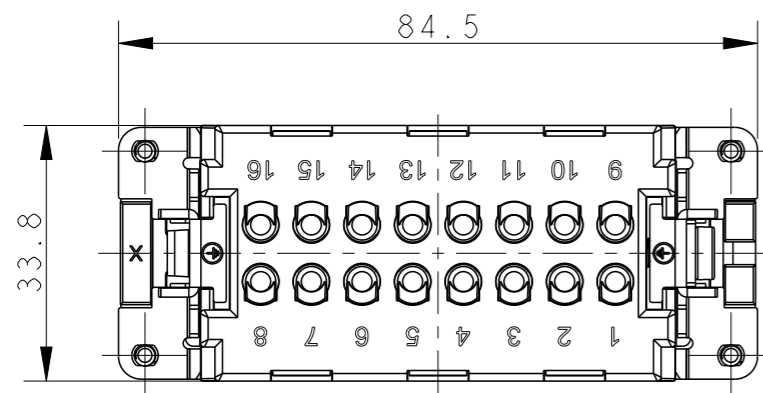
2

1

THIS DRAWING IS UNPUBLISHED. RELEASED FOR PUBLICATION 20  
© COPYRIGHT 20 BY - ALL RIGHTS RESERVED.

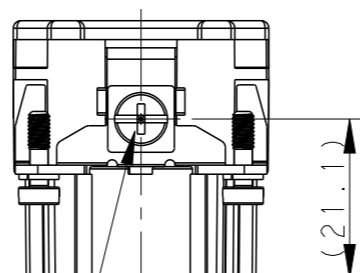
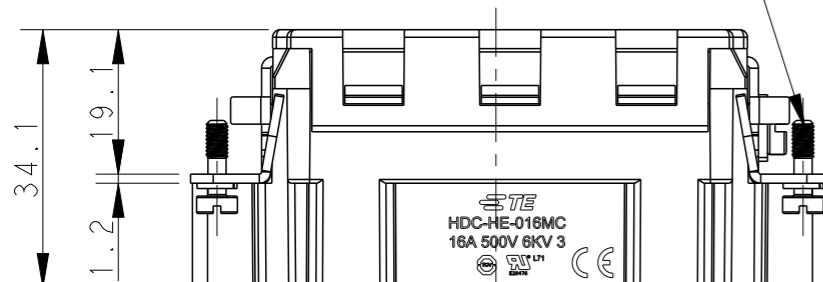
REVISIONS

| P  | LTR | DESCRIPTION   | DATE      | DWN | APVD |
|----|-----|---------------|-----------|-----|------|
| B  |     | ECR-15-013759 | 12OCT2015 | DW  | CW   |
| B1 |     | ECR-16-015492 | 16NOV2016 | QY  | CW   |
| C  |     | ECR-21-106515 | 19JUL2021 | SQ  | CW   |
| C1 |     | ECR-22-158213 | 29MAY2023 | RW  | CW   |

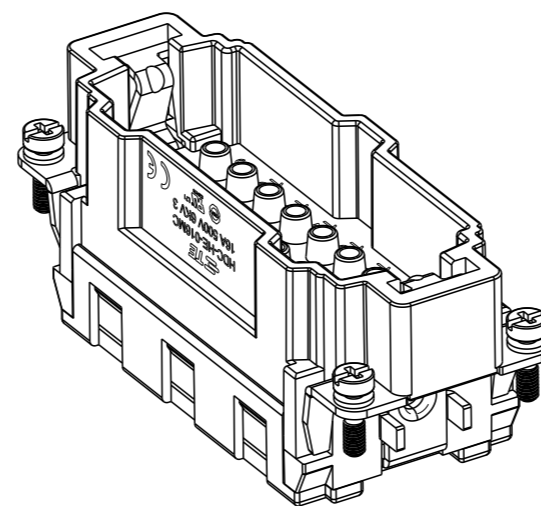
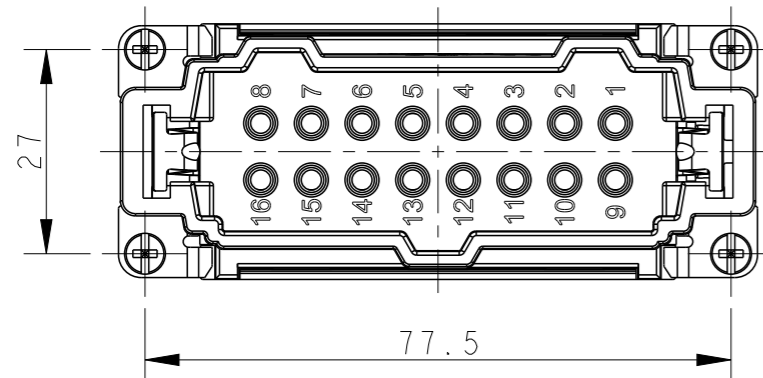


4X M3 SCREW, RECOMMENDED TIGHTENING TORQUE 0.5Nm  
4X M3螺丝, 推荐锁紧力矩0.5Nm

PANEL CUT FOR INSERTS FOR USING WITHOUT HOODS/ HOUSINGS  
不使用防护外壳时芯件的安装开孔图



M4 SCREW, RECOMMENDED TIGHTENING TORQUE 1.2Nm  
M4螺丝, 推荐锁紧力矩1.2Nm



NOTES:

- TECHNICAL CHARACTERISTICS:  
INSULATION MATERIAL: PC  
RATED VOLTAGE: 500V  
RATED CURRENT: 16A  
INSULATION RESISTANCE:  $\geq 400M\Omega$   
RATED IMPULSE VOLTAGE: 6KV  
POLLUTION DEGREE: 3  
FLAMMABILITY: UL94V-0  
MATING CYCLES: 500 CYCLES  
WIRE RANGE:  $0.14mm^2 \sim 4mm^2$  (AWG26-AWG12)  
CONTACT TYPE: CRIMP CONTACT
- CONTACTS NEED TO BE ORDERED SEPARATELY.  
(ORDER No. REFER TO DRAWING: T20300X10XX000)

注释:

- 技术参数:  
绝缘材料: PC  
额定电压: 500V  
额定电流: 16A  
绝缘电阻:  $\geq 400M\Omega$   
脉冲电压: 6KV  
污染等级: 3  
阻燃等级: UL94V-0  
插拔次数: 500次  
接线范围:  $0.14mm^2 \sim 4mm^2$  (AWG26-AWG12)  
接线类型: 冷压接
- 端子需要单独订购。  
(订货号参考图面: T20300X10XX000)

TYPE-1, T2040164101-000, TE LOGO  
类型-1, T2040164101-000, TE LOGO  
TYPE-1, T2040164101-007, TE LOGO  
类型-1, T2040164101-007, TE LOGO

|  |  |                                |  |                        |  |
|--|--|--------------------------------|--|------------------------|--|
| THIS DRAWING IS A CONTROLLED DOCUMENT. |  | DWN 15APR2015<br>Gino.Yao      |  | <b>TE Connectivity</b> |  |
| DIMENSIONS:<br>mm                      |  | CHK 15APR2015<br>Chris.Wang    |  |                        |  |
| TOLERANCES UNLESS OTHERWISE SPECIFIED: |  | APVD 15APR2015<br>Xiang.Xu     |  | NAME<br>HE-016-MC      |  |
| 0 PLC $\pm$ -                          |  | PRODUCT SPEC<br>108-137044     |  | SIZE                   |  |
| 1 PLC $\pm$ -                          |  | APPLICATION SPEC<br>114-137044 |  | CAGE CODE              |  |
| 2 PLC $\pm$ -                          |  | WEIGHT                         |  | DRAWING NO             |  |
| 3 PLC $\pm$ -                          |  | Customer Drawing               |  | A300779                |  |
| 4 PLC $\pm$ -                          |  | SCALE 1:1                      |  | SHEET 1 OF 2           |  |
| ANGLES $\pm$ -                         |  | RESTRICTED TO                  |  | ©-T2040164101000       |  |
| FINISH                                 |  | SCALE 1:1                      |  | REV C1                 |  |
| MATERIAL                               |  | SCALE 1:1                      |  | SHEET 1 OF 2           |  |
|  |  | RESTRICTED TO                  |  | REV C1                 |  |

4

3

2

1

THIS DRAWING IS UNPUBLISHED.

RELEASED FOR PUBLICATION

20

© COPYRIGHT 20 BY -

ALL RIGHTS RESERVED.

REVISIONS

| P | LTR | DESCRIPTION | DATE | DWN | APVD |
|---|-----|-------------|------|-----|------|
| - |     | SEE SHEET 1 | -    | -   | -    |
|   |     |             |      |     |      |
|   |     |             |      |     |      |

NOTE:  
SEE SHEET 1  
注释:  
见页 1

TYPE-2, T2040164101-001, STAINLESS STEEL SCREW, NO LOGO  
类型-2, T2040164101-001, 不锈钢螺丝, 无LOGO

|                   |                        |   |                |
|-------------------|------------------------|---|----------------|
| T2040164101-001   | HE-016-MC              | HE-016 MALE INSERT, CRIMPING, STAINLESS STEEL SCREW, NO LOGO<br>HE-016公插, 冷压针, 不锈钢螺丝, 无LOGO | TYPE-2<br>类型-2 |
| T2040164101-007   | HE-016-MC              | HE-016 MALE INSERT, CRIMPING<br>HE-016公插, 冷压针   | TYPE-1<br>类型-1 |
| T2040164101-000   | HE-016-MC              | HE-016 MALE INSERT, CRIMPING<br>HE-016公插, 冷压针   | TYPE-1<br>类型-1 |
| PART NUMBER<br>料号 | PART DESCRIPTION<br>描述 |   | TYPE<br>类型     |

ALL SPEC DIMENSION REFER TO TYPE 1  
所有产品规格尺寸参照 TYPE 1

|  |  |                                |                   |  |
|--|--|--------------------------------|-------------------|--|
| THIS DRAWING IS A CONTROLLED DOCUMENT. |  | DWN<br>Gino.Yao<br>15APR2015   |                   |  |
| DIMENSIONS:<br>mm                      |  | CHK<br>Chris.Wang<br>15APR2015 |                   |  |
| TOLERANCES UNLESS OTHERWISE SPECIFIED: |  | APVD<br>Xiang.Xu<br>15APR2015  | NAME<br>HE-016-MC |  |
| 0 PLC ±-                               |  | PRODUCT SPEC<br>108-137044     | SIZE              |  |
| 1 PLC ±-                               |  | APPLICATION SPEC<br>114-137044 | CAGE CODE         |  |
| 2 PLC ±-                               |  | WEIGHT                         | DRAWING NO        |  |
| 3 PLC ±-                               |  | Customer Drawing               | RESTRICTED TO     |  |
| 4 PLC ±-                               |  |                                | A300779           |  |
| ANGLES ±-                              |  |                                | C-T2040164101000  |  |
| FINISH                                 |  |                                | SCALE 1:1         |  |
| -                                      |  |                                | SHEET 2 OF 2      |  |
| -                                      |  |                                | REV C1            |  |

1470-19 (3/13)