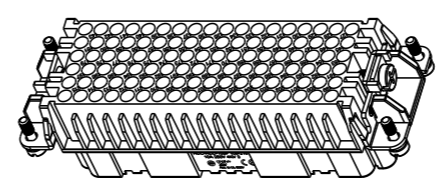
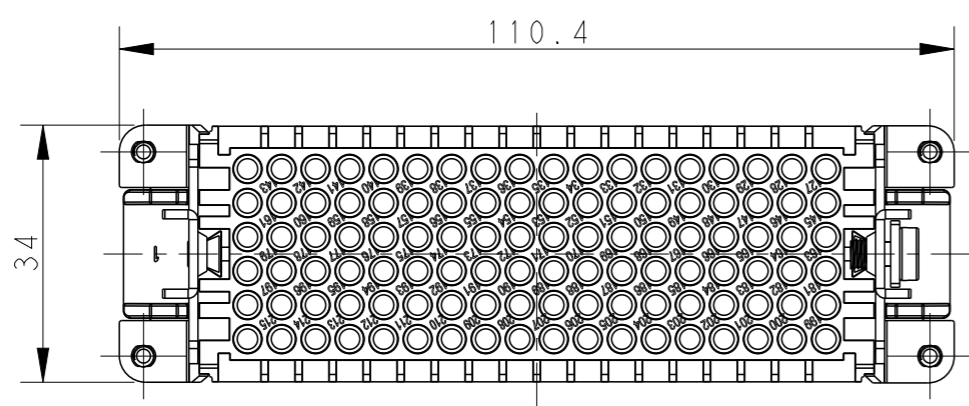


THIS DRAWING IS UNPUBLISHED. RELEASED FOR PUBLICATION 20
 © COPYRIGHT 20 BY - ALL RIGHTS RESERVED.

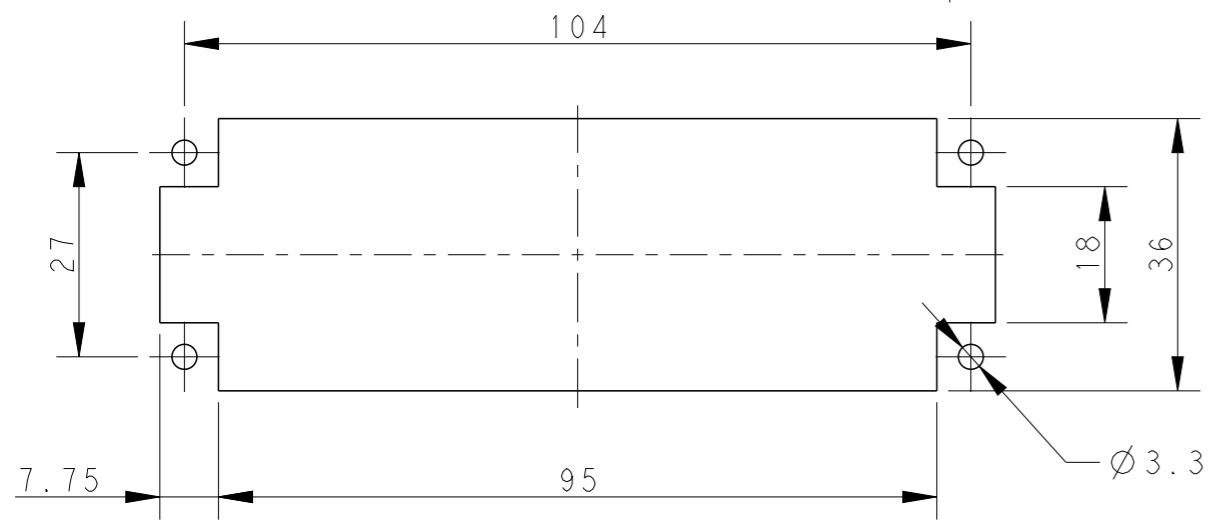
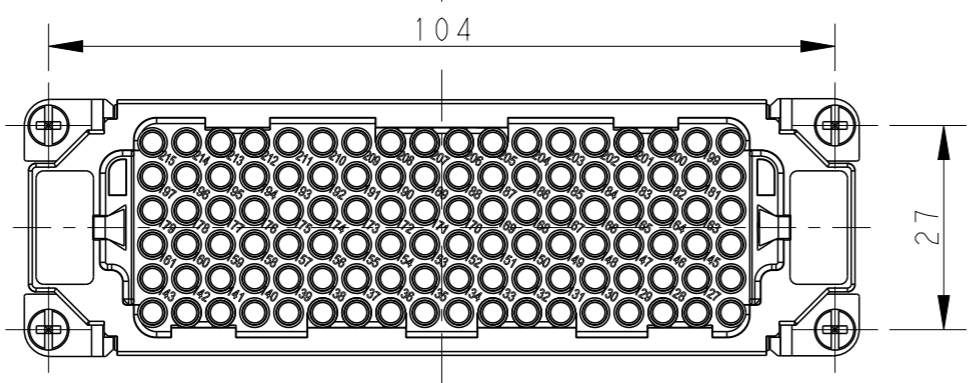
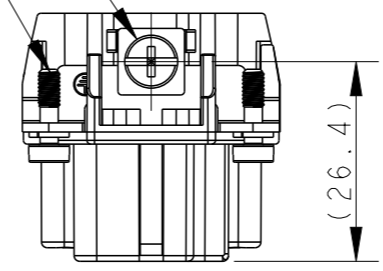
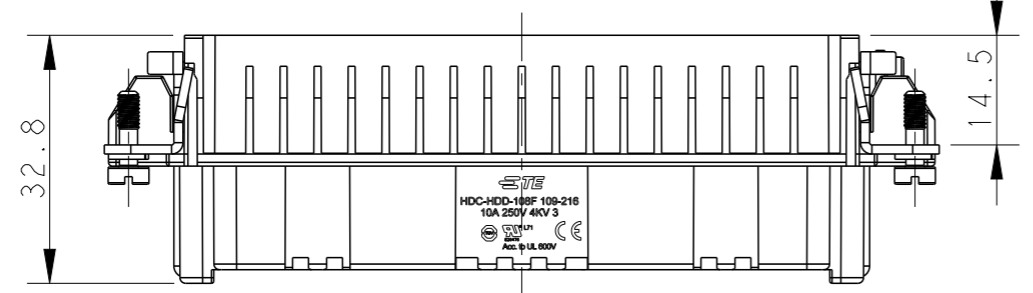
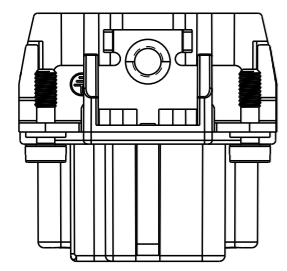
REVISIONS

P	LTR	DESCRIPTION	DATE	DWN	APVD
A1		ECR-15-009224	23JUN2015	DL	CW
B		ECR-15-013292	24SEP2015	DL	CW
C		ECR-21-105887	26JUL2021	BS	CW
D		ECR-22-150866	27SEP2022	DL	CW



SCALE 1:2

M4 SCREW
 RECOMMENDED TIGHTENING TORQUE 1.2Nm
 4 X M3 SCREW
 RECOMMENDED TIGHTENING TORQUE 0.5Nm



PANEL CUT OUT FOR INSERTS FOR USING WITHOUT HOODS/HOUSINGS

NOTES:

- TECHNICAL CHARACTERISTICS:
 INSULATION MATERIAL: PC
 RATED VOLTAGE: 250 V
 RATED CURRENT: 10 A
 INSULATION RESISTANCE: >=400MΩ
 RATED IMPULSE VOLTAGE: 4 KV
 POLLUTION DEGREE: 3
 FLAMMABILITY: UL94V-0
 MATING CYCLES: 500 CYCLES
 WIRE RANGE: 0.14-2.5 mm² (26-14 AWG)
 CONTACT TYPE: CRIMP CONTACT
- CONTACT NEED TO BE ORDERED SEPARATELY.
 (ORDER No. REFER TO DRAWING: T20200X20XX000)

注释:

- 技术参数:
 绝缘材料: PC
 额定电压: 250V
 额定电流: 10A
 绝缘电阻: >=400MΩ
 额定脉冲电压: 4 KV
 污染等级: 3
 阻燃等级: UL94V-0
 插拔次数: 500次
 接线范围: 0.14-2.5 mm² (26-14 AWG)
 接线类型: 冷压接
- 端子需要单独订购.
 (订货号参考图面: T20200X20XX000)

THIS DRAWING IS A CONTROLLED DOCUMENT.

DIMENSIONS:	TOLERANCES UNLESS OTHERWISE SPECIFIED:
mm	
	0 PLC ±-
	1 PLC ±-
	2 PLC ±-
	3 PLC ±-
	4 PLC ±-
	ANGLES ±-
MATERIAL	FINISH
-	-
-	-

DWN	DAVID LI	18MAR2015
CHK	CHRIS WANG	18MAR2015
APVD	XU XIANG	18MAR2015
PRODUCT SPEC	108-137043	
APPLICATION SPEC	114-137043	
WEIGHT	-	
CUSTOMER DRAWING		

HDC-HDD-108F 109-216		T2032162201-000	
DESCRIPTION		PART NUMBER	
TE Connectivity			
NAME HDC-HDD-108F 109-216			
SIZE	CAGE CODE	DRAWING NO	RESTRICTED TO
A3	-	©-T2032162201000	
SCALE		SHEET	REV
1:1		1 OF 1	D