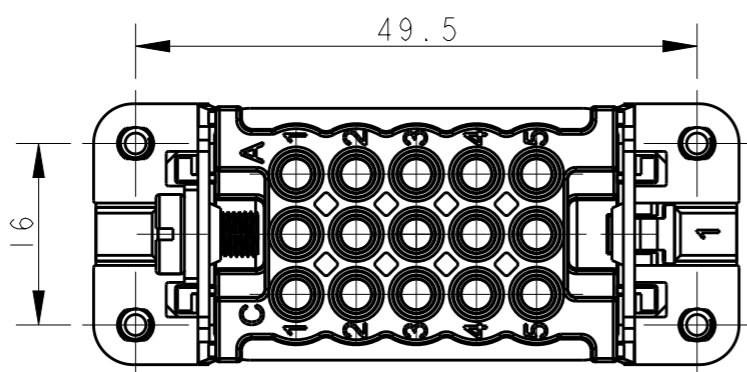


THIS DRAWING IS UNPUBLISHED. RELEASED FOR PUBLICATION 20
 © COPYRIGHT 20 BY - ALL RIGHTS RESERVED.

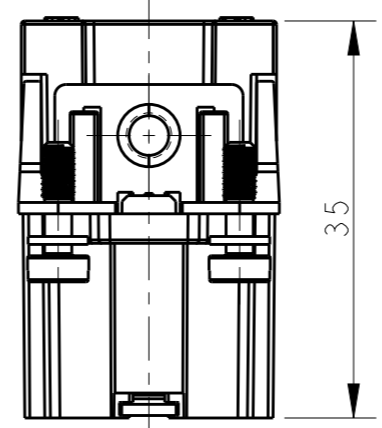
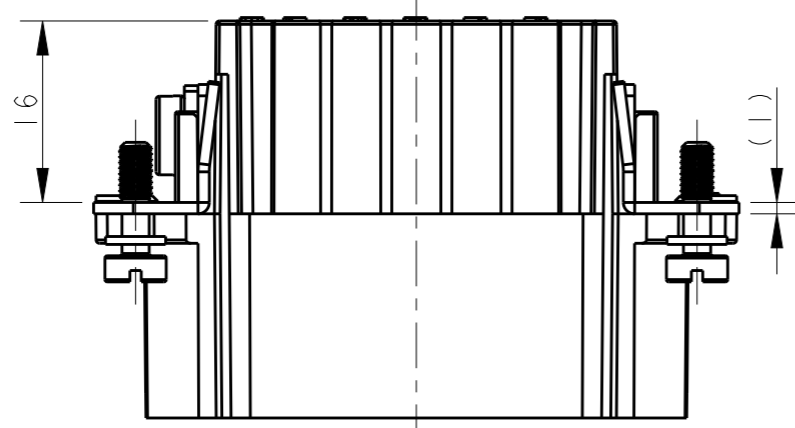
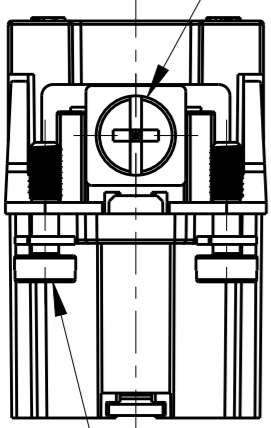
REVISIONS					
P	LTR	DESCRIPTION	DATE	DWN	APVD
	A	INITIAL	30MAR2017	QY	CW



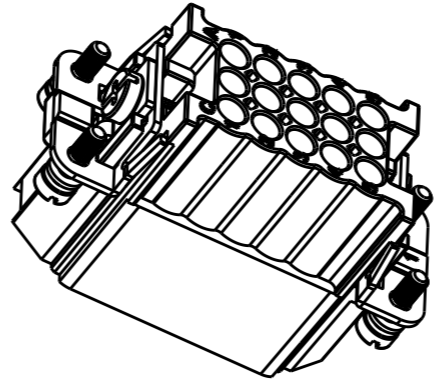
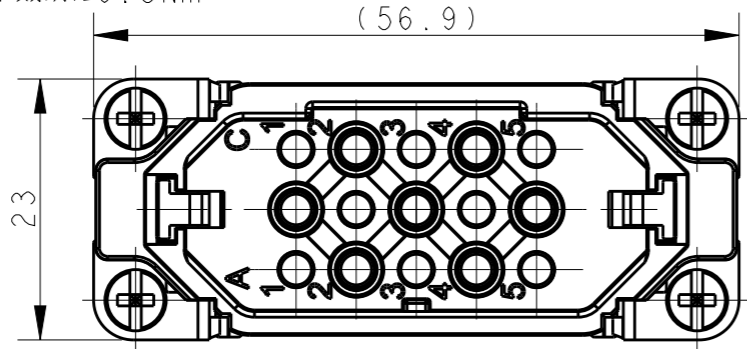
NOTES:
 1. TECHNICAL CHARACTERISTICS:
 INSULATION MATERIAL: PC
 RATED VOLTAGE: 250 V
 RATED CURRENT: 10 A
 INSULATION RESISTANCE: >=400MΩ
 RATED IMPULSE VOLTAGE: 4 KV
 POLLUTION DEGREE: 3
 FLAMMABILITY: UL94V-0
 MATING CYCLES: 500 CYCLES
 WIRE RANGE: 0.14-2.5 mm² (26-14 AWG)
 CONTACT TYPE: CRIMP CONTACT
 2. CONTACT NEED TO BE ORDERED SEPARATELY.
 (ORDER No. REFER TO DRAWING: T20200X10XX000)

注释:
 1. 技术参数:
 绝缘材料: PC
 额定电压: 250V
 额定电流: 10A
 绝缘电阻: >=400MΩ
 额定脉冲电压: 4 KV
 污染等级: 3
 阻燃等级: UL94V-0
 插拔次数: 500次
 接线范围: 0.14-2.5 mm² (26-14 AWG)
 接线类型: 冷压接
 2. 端子需要单独订购.
 (订货号参考图面: T20200X10XX000)

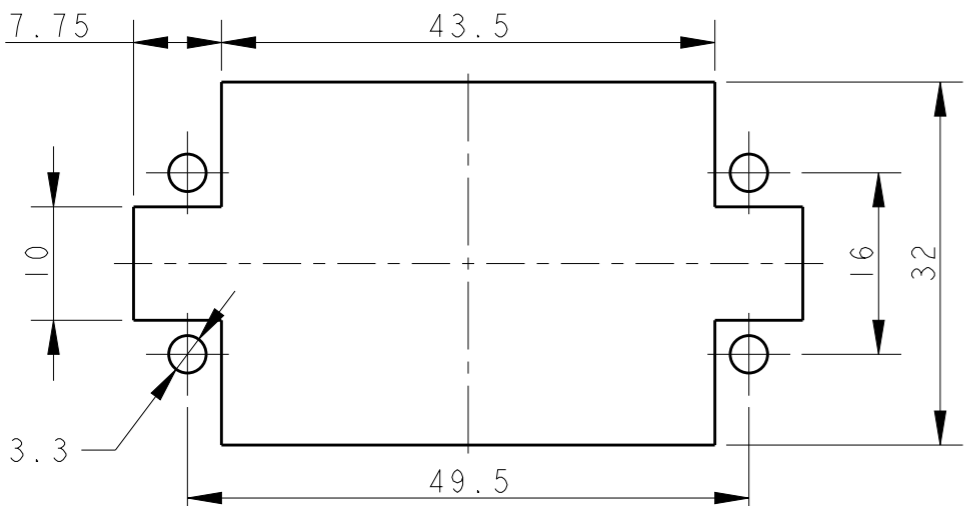
M4 SCREW, RECOMMENDED TIGHTENING TORQUE 1.2Nm
 M4 螺丝, 推荐锁紧力矩 1.2Nm



4X M3 SCREW, RECOMMENDED TIGHTENING TORQUE 0.5Nm
 4X M3 螺丝, 推荐锁紧力矩 0.5Nm



SCALE 1:1



PANEL CUT OUT FOR INSERTS FOR USING WITHOUT HOODS/HOUSINGS
 不使用防护外壳时芯件的安装开孔图

T2020152101-001	HD-015-M	HD-015 MALE INSERT, STAINLESS STEEL SCREW, NO LOGO HD-015公插, 不锈钢螺丝, 无LOGO
PART NUMBER 料号	PART DESCRIPTION 描述	

THIS DRAWING IS A CONTROLLED DOCUMENT.	
DIMENSIONS: mm	TOLERANCES UNLESS OTHERWISE SPECIFIED:
	0 PLC ±-
	1 PLC ±-
	2 PLC ±-
	3 PLC ±-
	4 PLC ±-
	ANGLES ±-
MATERIAL	FINISH
-	-

DWN QIANG YUAN 30MAR2017	NAME HD-015-M	TE Connectivity		
CHK GINO YAO 30MAR2017				
APVD CHRIS WANG 30MAR2017				
PRODUCT SPEC 108-137042				
APPLICATION SPEC 114-137042	SIZE A3	CAGE CODE -	DRAWING NO T2020152101001	RESTRICTED TO -
CUSTOMER DRAWING	WEIGHT -	SCALE 3:2	SHEET 1 OF 1	REV A