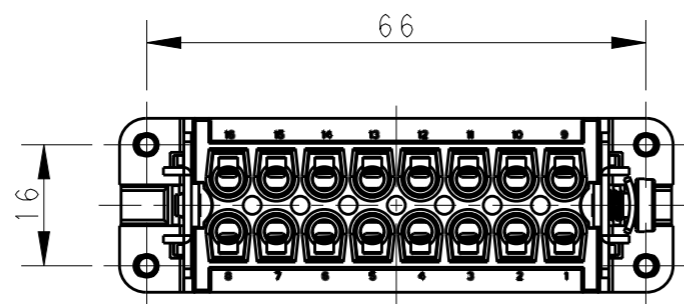
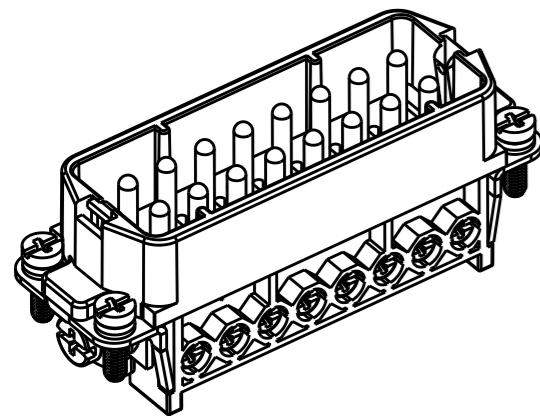
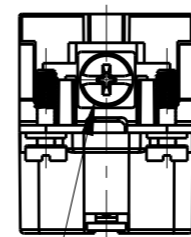
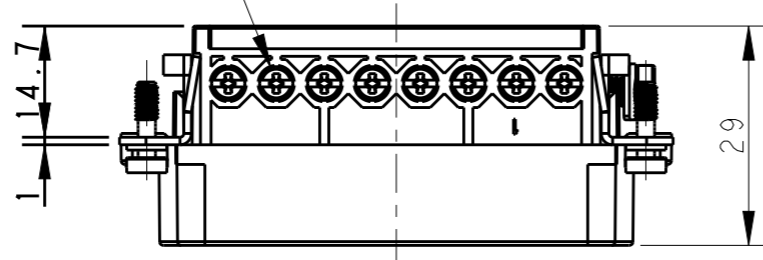


REVISIONS

P	LTR	DESCRIPTION	DATE	DWN	APVD
	A	INITIAL	20OCT2017	RL	CW
	B	ECR-17-017888	14DEC2017	RL	CW
	B1	ECR-18-008588	09JUL2018	KW	CW

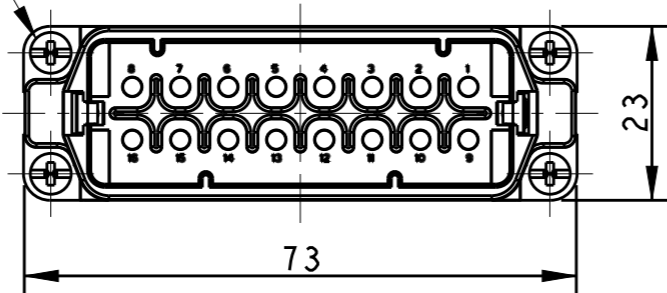


16X M3 SCREW, RECOMMENDED
TIGHTENING TORQUE 0.5Nm
16X M3 螺丝推荐扭力矩为 0.5Nm



M4 SCREW RECOMMENDED
TIGHTENING TORQUE 1.2Nm
M4 螺丝推荐扭力矩为 1.2Nm

4X M3 SCREW, RECOMMENDED
TIGHTENING TORQUE 0.5Nm
4X M3 螺丝推荐扭力矩为 0.5Nm



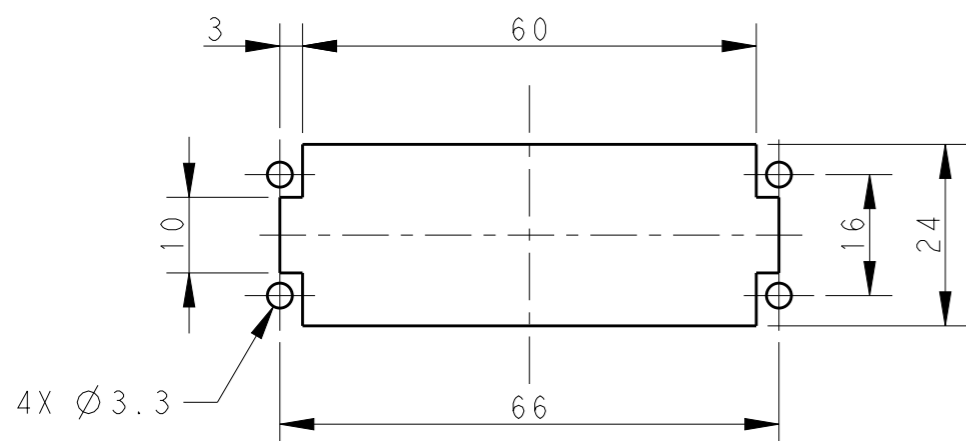
NOTES:

- TECHNICAL CHARACTERISTICS:
INSULATION MATERIAL: PC
RATED VOLTAGE: 250 V
RATED CURRENT: 16 A
INSULATION RESISTANCE: $\geq 400M\Omega$
RATED IMPULSE VOLTAGE: 4 KV
POLLUTION DEGREE: 3
FLAMMABILITY: UL94V-0
MATING CYCLES: 500 CYCLES
WIRE RANGE: 0.5-2.5 mm² (20-14 AWG)
CONTACT FINISH: SILVER PLATED
CONTACT TYPE: SCREW CONTACT


注释:

- 技术参数:
绝缘材料: PC
额定电压: 250V
额定电流: 16A
绝缘电阻: $\geq 400M\Omega$
额定脉冲电压: 4 KV
污染等级: 3
阻燃等级: UL94V-0
插拔次数: 500 次
接线范围: 0.5-2.5 mm² (20-14 AWG)
端子表面处理: 镀银
接线类型: 螺丝连接

PANEL CUT FOR INSERTS FOR USE
WITHOUT HOODS/ HOUSINGS
不装壳体的面板安装开孔尺寸



T2010162101-001	HA-016-M	HA-016 MALE INSERT, NO LOGO HA-016公插, 无LOGO
PART NUMBER 料号	PART DESCRIPTION 描述	

THIS DRAWING IS A CONTROLLED DOCUMENT.		DWN ROY LIU 20OCT2017	 TE Connectivity	NAME HA-016-M	
DIMENSIONS: mm		CHK GINO YAO 20OCT2017		PRODUCT SPEC 108-137045	
TOLERANCES UNLESS OTHERWISE SPECIFIED:		APVD CHRIS WANG 20OCT2017		APPLICATION SPEC 114-137045	
0 PLC ± 1 PLC ± 2 PLC ± 3 PLC ± 4 PLC ± ANGLES ±		MATERIAL -		FINISH -	WEIGHT -
CUSTOMER DRAWING		SCALE 1:1	SHEET 1 OF 1	RESTRICTED TO -	