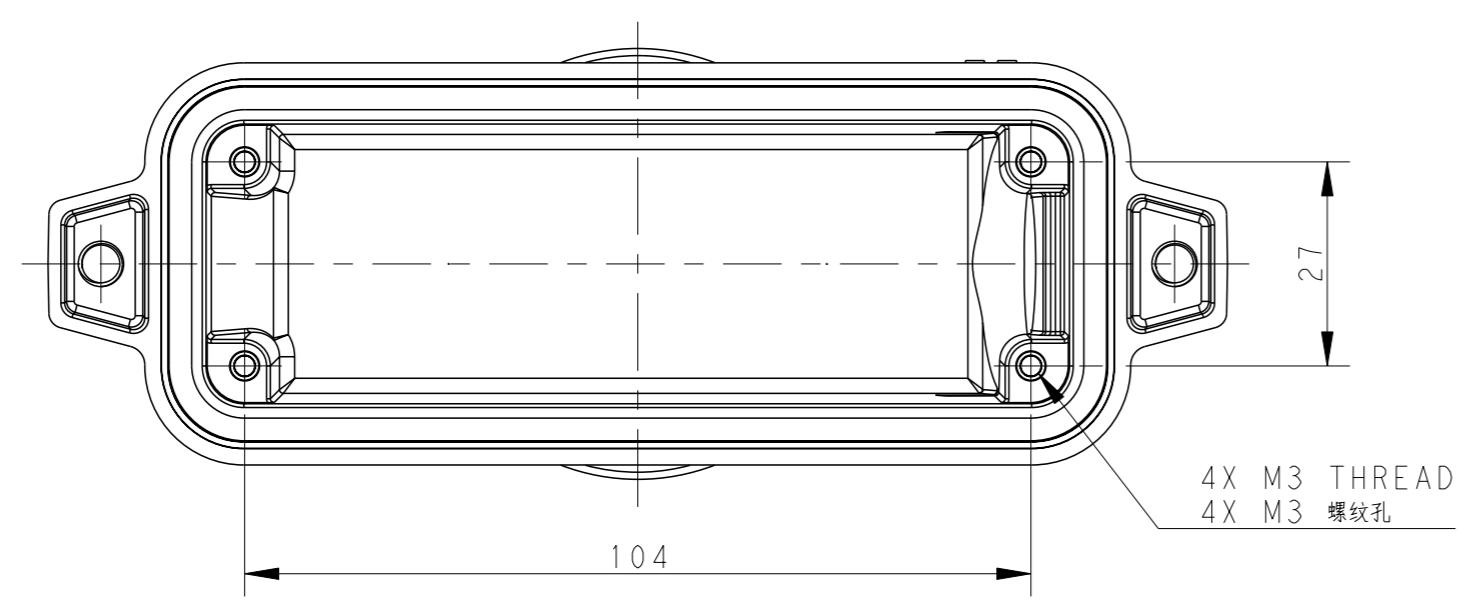
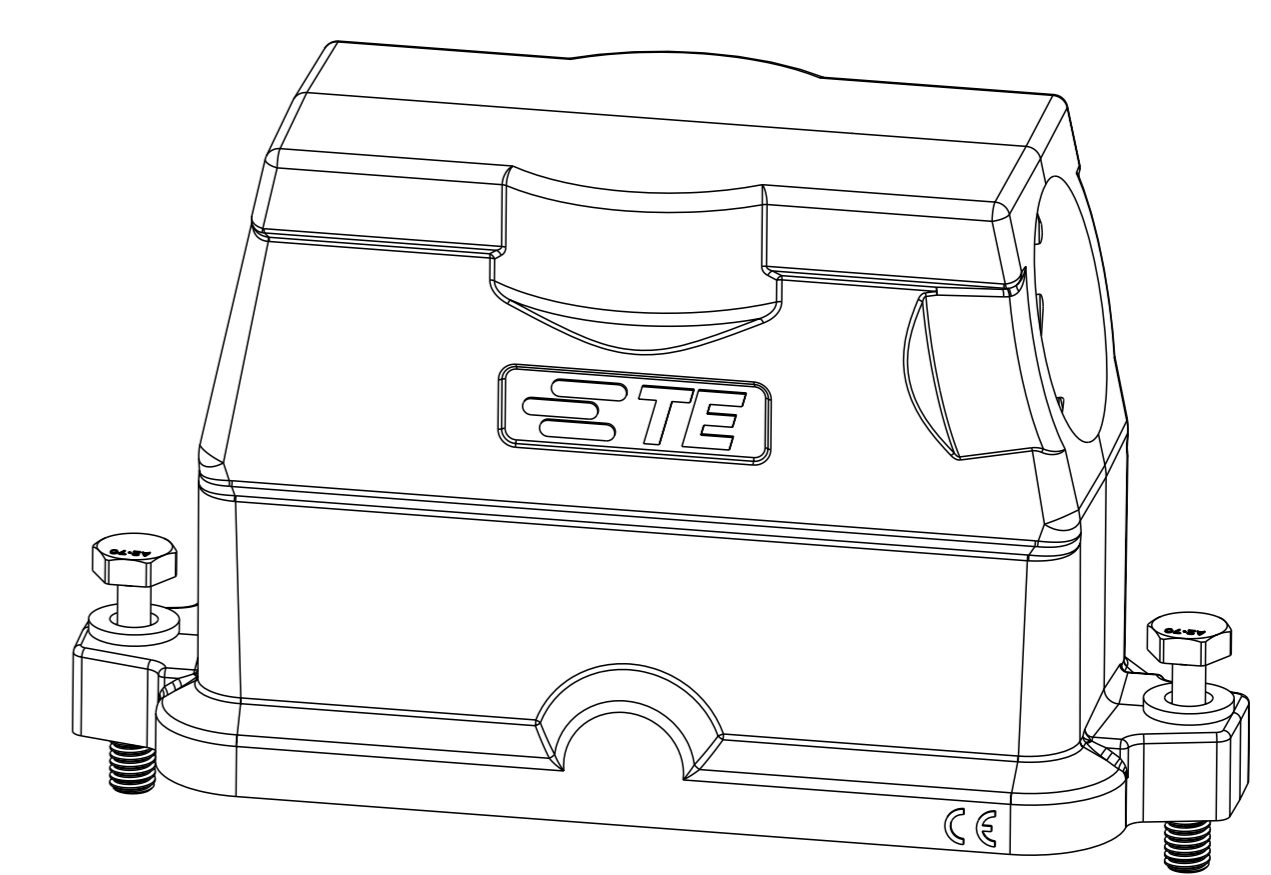
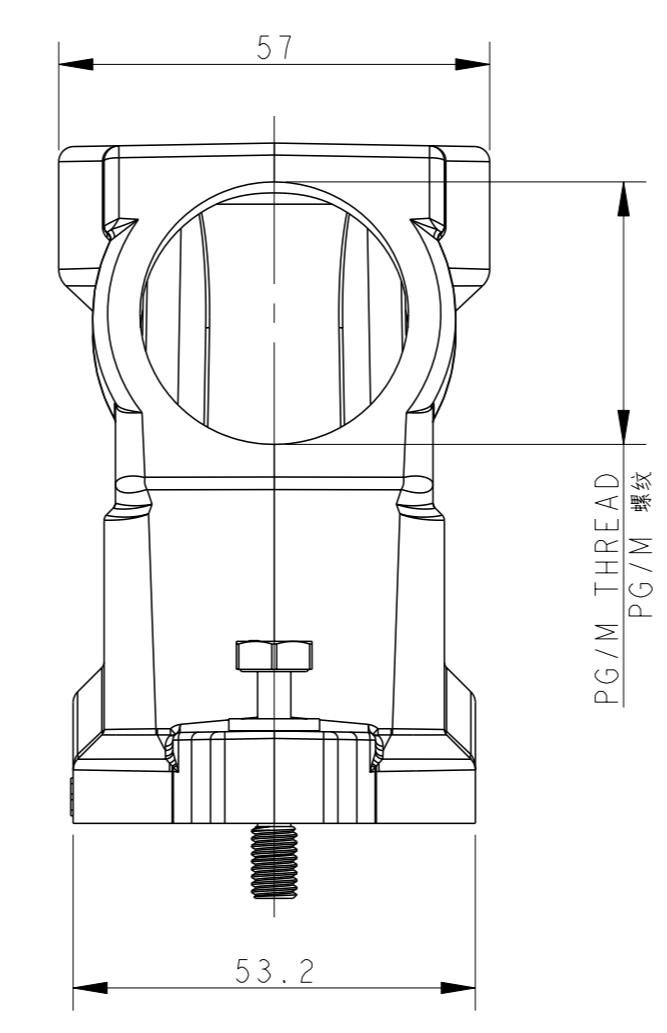
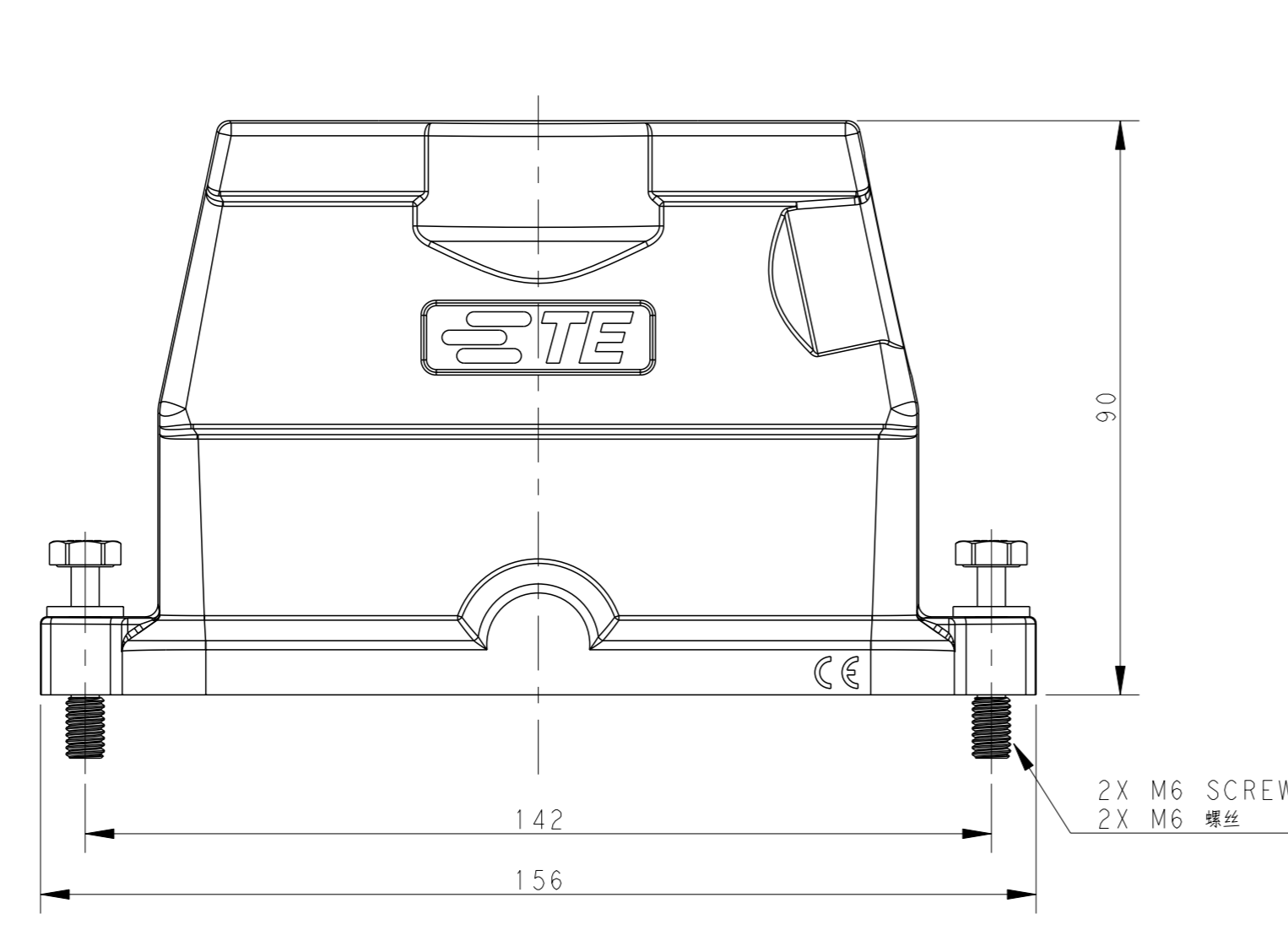


REVISIONS				
#	CTH	DESCRIPTION	DATE	OWN APVD
A		INITIAL RELEASE	07JUN2016	DW CW
B		ECR-20-016312	03JUN2021	BS CW

NOTES:
 1. TECHNICAL CHARACTERISTICS:
 HOOD MATERIAL: DIE CAST ALUMINIUM ALLOY
 SURFACE: SEE TABLE
 DEGREE OF PROTECTION: IP68 (MATED)

注释:
 1. 技术参数:
 壳体材料: 铝合金
 表面处理: 见表格
 防护等级: IP68 (配合)



PART NUMBER 料号	DESCRIPTION 描述	PG/M THREAD PG/M 螺纹
T1912241140-009	H24BPR-TSHC-M40-EMC-C H24BPR HOOD, CENTER LOCKING, SIDE ENTRY M40, POWDER COATED, SILVER WHITE H24BPR中部锁定侧出壳M40 银白色	M40
T1912241132-009	H24BPR-TSHC-M32-EMC-C H24BPR HOOD, CENTER LOCKING, SIDE ENTRY M32, POWDER COATED, SILVER WHITE H24BPR中部锁定侧出壳M32 银白色	M32
T1912241129-009	H24BPR-TSHC-PG29-EMC-C H24BPR HOOD, CENTER LOCKING, SIDE ENTRY PG29, POWDER COATED, SILVER WHITE H24BPR中部锁定侧出壳PG29 银白色	PG29
T1912241125-009	H24BPR-TSHC-M25-EMC-C H24BPR HOOD, CENTER LOCKING, SIDE ENTRY M25, POWDER COATED, SILVER WHITE H24BPR中部锁定侧出壳M25 银白色	M25
T1912241121-009	H24BPR-TSHC-PG21-EMC-C H24BPR HOOD, CENTER LOCKING, SIDE ENTRY PG21, POWDER COATED, SILVER WHITE H24BPR中部锁定侧出壳PG21 银白色	PG21
T1912240140-009	H24BPR-TSHC-M40-EMC-C H24BPR HOOD, CENTER LOCKING, SIDE ENTRY M40, POWDER COATED, BLACK H24BPR中部锁定侧出壳M40 黑色	M40
T1912240132-009	H24BPR-TSHC-M32-EMC-C H24BPR HOOD, CENTER LOCKING, SIDE ENTRY M32, POWDER COATED, BLACK H24BPR中部锁定侧出壳M32 黑色	M32
T1912240129-009	H24BPR-TSHC-PG29-EMC-C H24BPR HOOD, CENTER LOCKING, SIDE ENTRY PG29, POWDER COATED, BLACK H24BPR中部锁定侧出壳PG29 黑色	PG29
T1912240125-009	H24BPR-TSHC-M25-EMC-C H24BPR HOOD, CENTER LOCKING, SIDE ENTRY M25, POWDER COATED, BLACK H24BPR中部锁定侧出壳M25 黑色	M25
T1912240121-009	H24BPR-TSHC-PG21-EMC-C H24BPR HOOD, CENTER LOCKING, SIDE ENTRY PG21, POWDER COATED, BLACK H24BPR中部锁定侧出壳PG21 黑色	PG21

THIS DRAWING IS A CONTROLLED DOCUMENT.		OWN: DAVID WANG 07JUN2016	TE Connectivity
DIMENSIONS: mm		CHK: CHRIS WANG	
TOLERANCES UNLESS OTHERWISE SPECIFIED:		APVD: XIANG XU 07JUN2016	NAME: H24BPR-TSHC-PG/M-EMC-C
0 PLC ± 1 PLC ± 2 PLC ± 3 PLC ± 4 PLC ±		PRODUCT SPEC: 108-137191	SIZE: A1
ANGLES FINISH ±		APPLICATION SPEC: 114-137191	CAGE CODE: -
MATERIAL: -		WEIGHT: -	DRAWING NO: C-T191224XXXXX09
-		CUSTOMER DRAWING	RESTRICTED TO: B
-		SCALE: 1:1	SHEET 1 OF 1

Printed on 7 Jun 2021 15:34 (China Standard Time) from T191224667