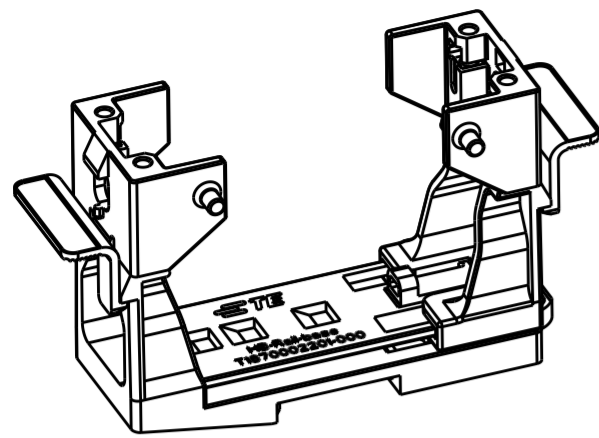


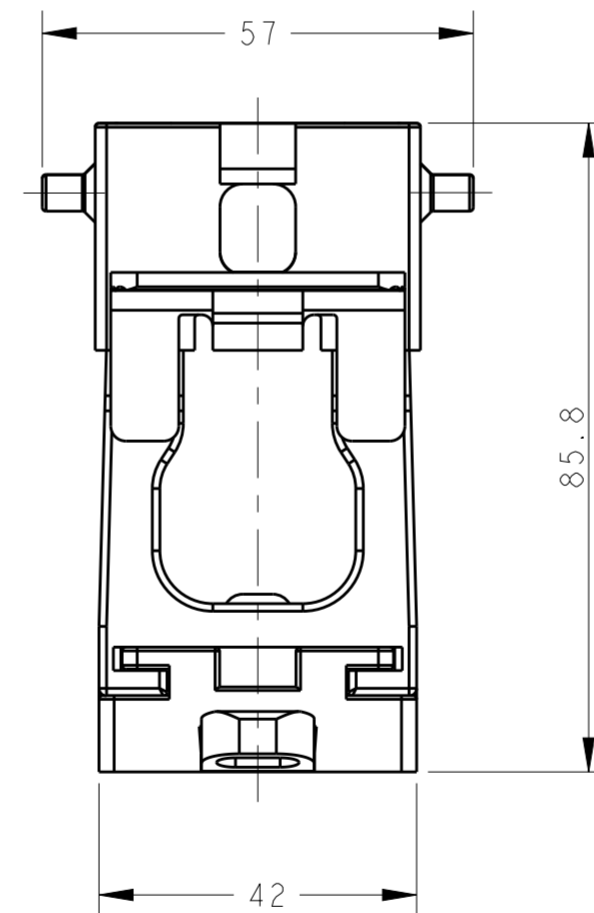
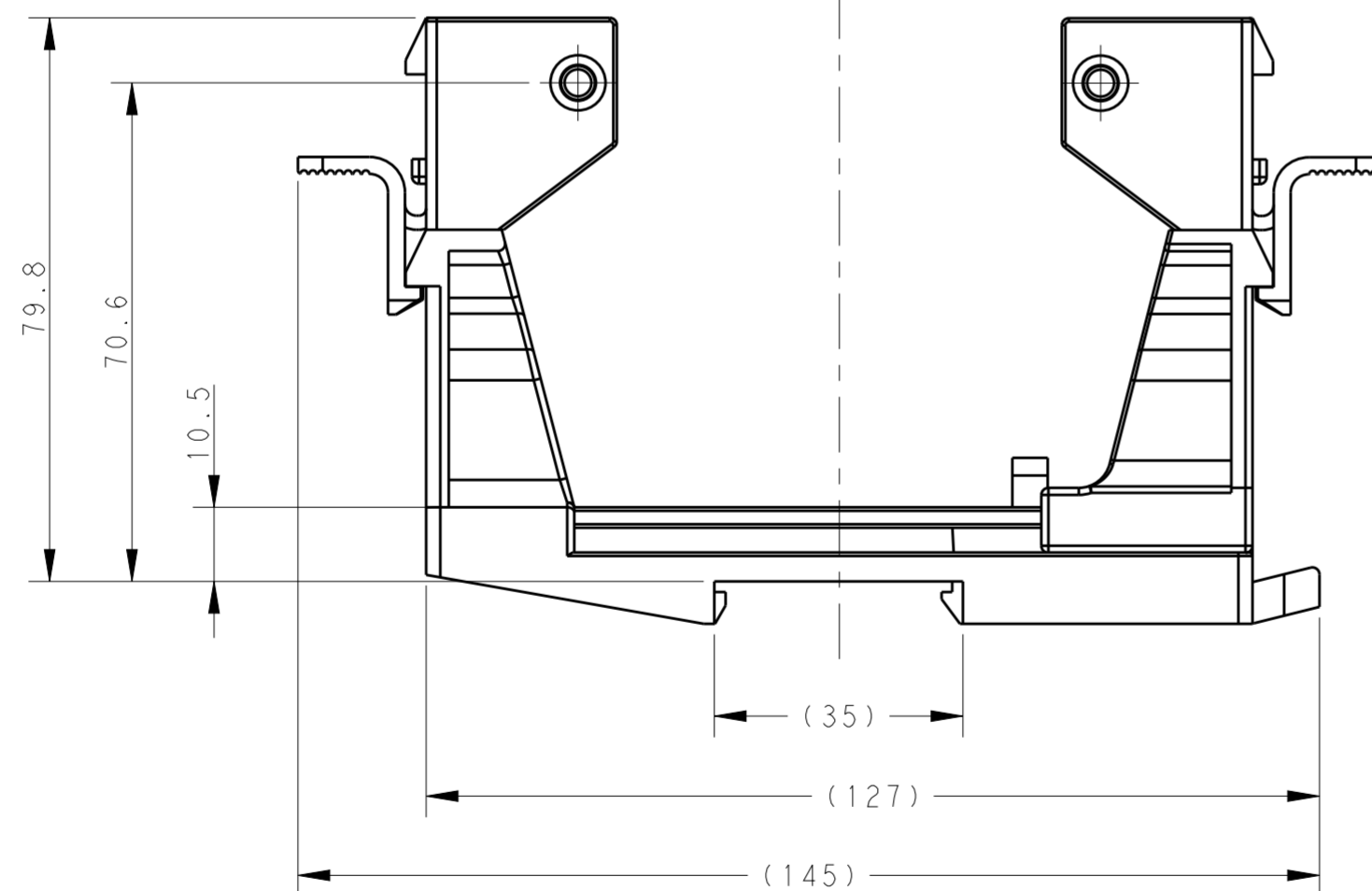
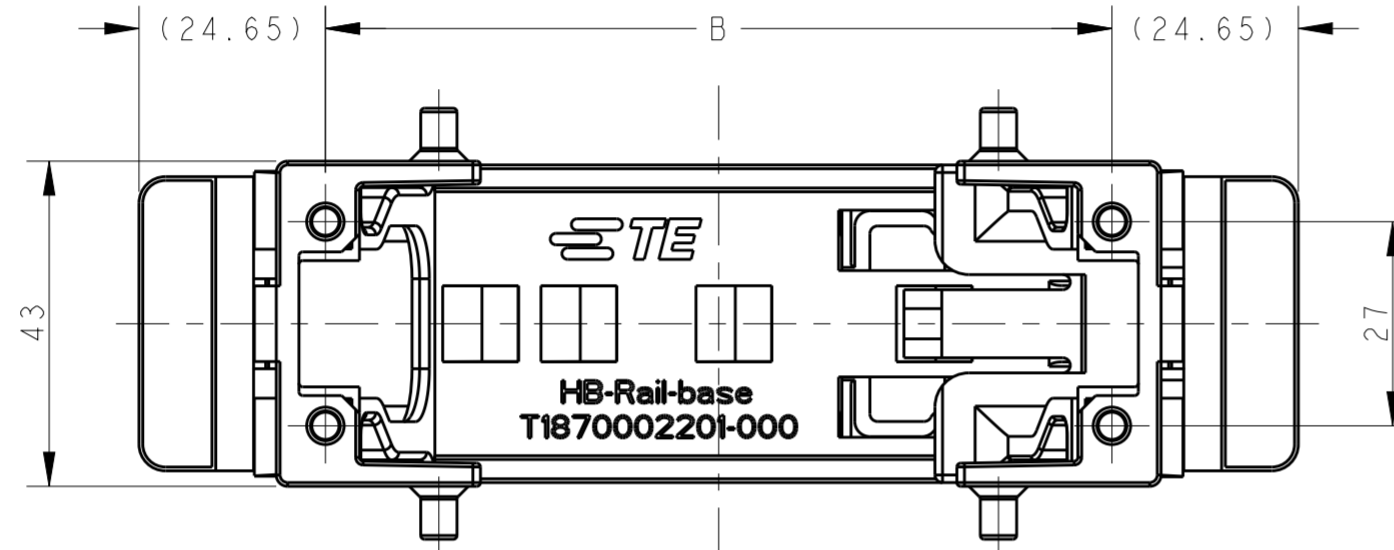
THIS DRAWING IS UNPUBLISHED. RELEASED FOR PUBLICATION 20
 © COPYRIGHT 20 BY - ALL RIGHTS RESERVED.

REVISIONS				
P	LTR	DESCRIPTION	DATE	APVD
	A	INITIAL	28JAN2016	DW CW
	A1	ECR-16-004255	21MAR2016	DW CW



SCALE 1:2

HB-RAIL-BASE FOR H6B 按H6B芯件导轨安装支架底座使用时	44
HB-RAIL-BASE FOR H10B 按H10B芯件导轨安装支架底座使用时	57
HB-RAIL-BASE FOR H16B 按H16B芯件导轨安装支架底座使用时	77.5
HB-RAIL-BASE FOR H24B 按H24B芯件导轨安装支架底座使用时	104
PART DESCRIPTION 描述	DIMENSOIN B 尺寸B



NOTES:

- 1. TECHNICAL CHARACTERISTICS:
 INSULATION MATERIAL: PC
 FLAMMABILITY: UL94V-0
 OPERATION TEMPERATURE: -40°C~+125°C

注释:

- 1. 技术参数:
 绝缘材料: PC
 阻燃等级: UL94V-0
 工作温度: -40°C~+125°C

T1870002201-000	HB-RAIL-BASE HB芯件导轨安装支架底座(H6B-H24B)
PART NUMBER 料号	PART DESCRIPTION 描述

THIS DRAWING IS A CONTROLLED DOCUMENT.		DWN 28JAN2016 DAVID WANG	TE Connectivity	
DIMENSIONS: mm		CHK 28JAN2016 CHRIS WANG		
TOLERANCES UNLESS OTHERWISE SPECIFIED:		APVD 28JAN2016 XIANG XU	NAME HB-RAIL-BASE	
		PRODUCT SPEC	SIZE CAGE CODE DRAWING NO RESTRICTED TO	
MATERIAL		APPLICATION SPEC	A200779 C-T1870002201000	
		WEIGHT	SCALE 1:1 SHEET 1 OF 1 REV A1	
		CUSTOMER DRAWING		