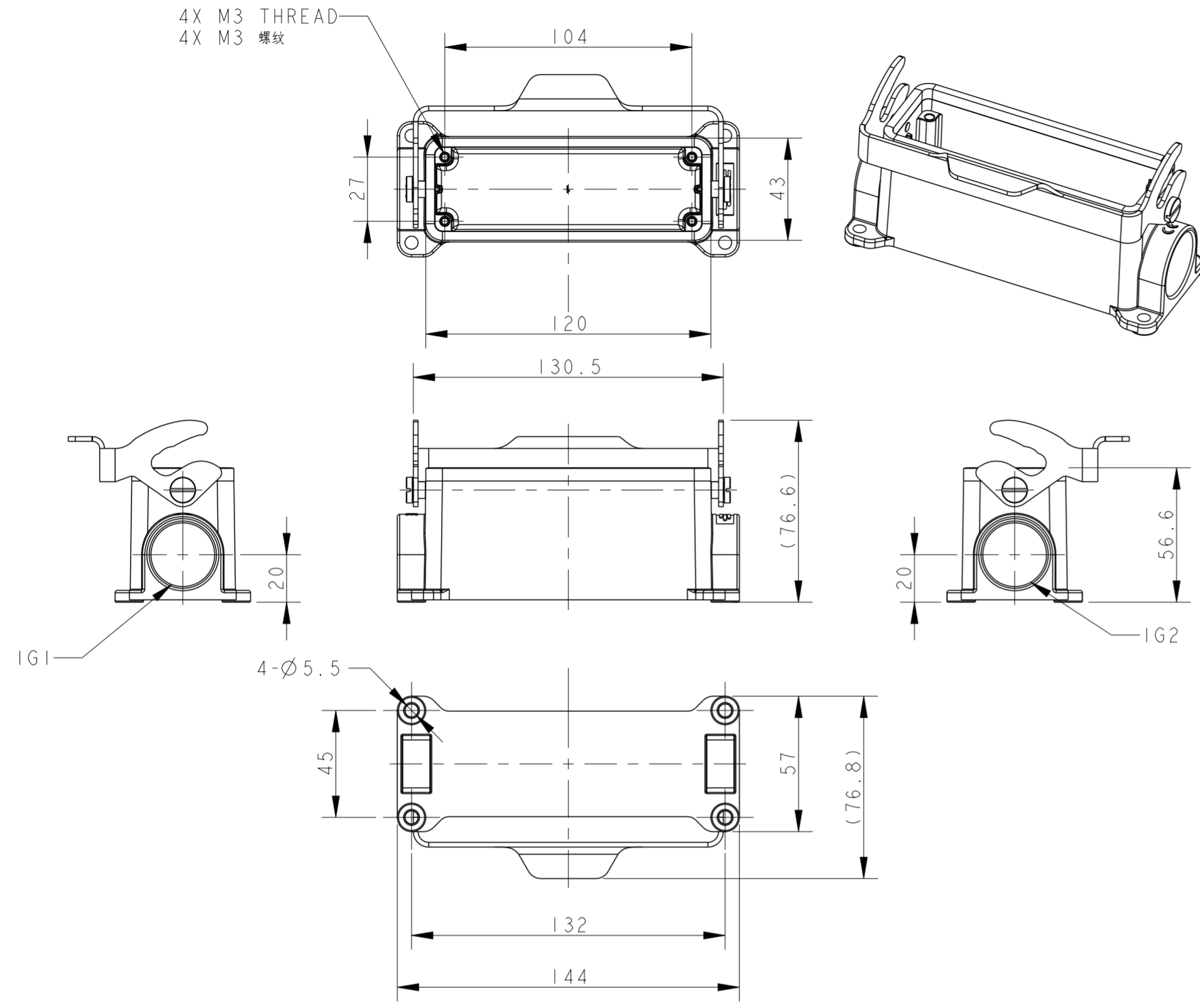


THIS DRAWING IS UNPUBLISHED. RELEASED FOR PUBLICATION 20
 © COPYRIGHT 20 BY - ALL RIGHTS RESERVED.

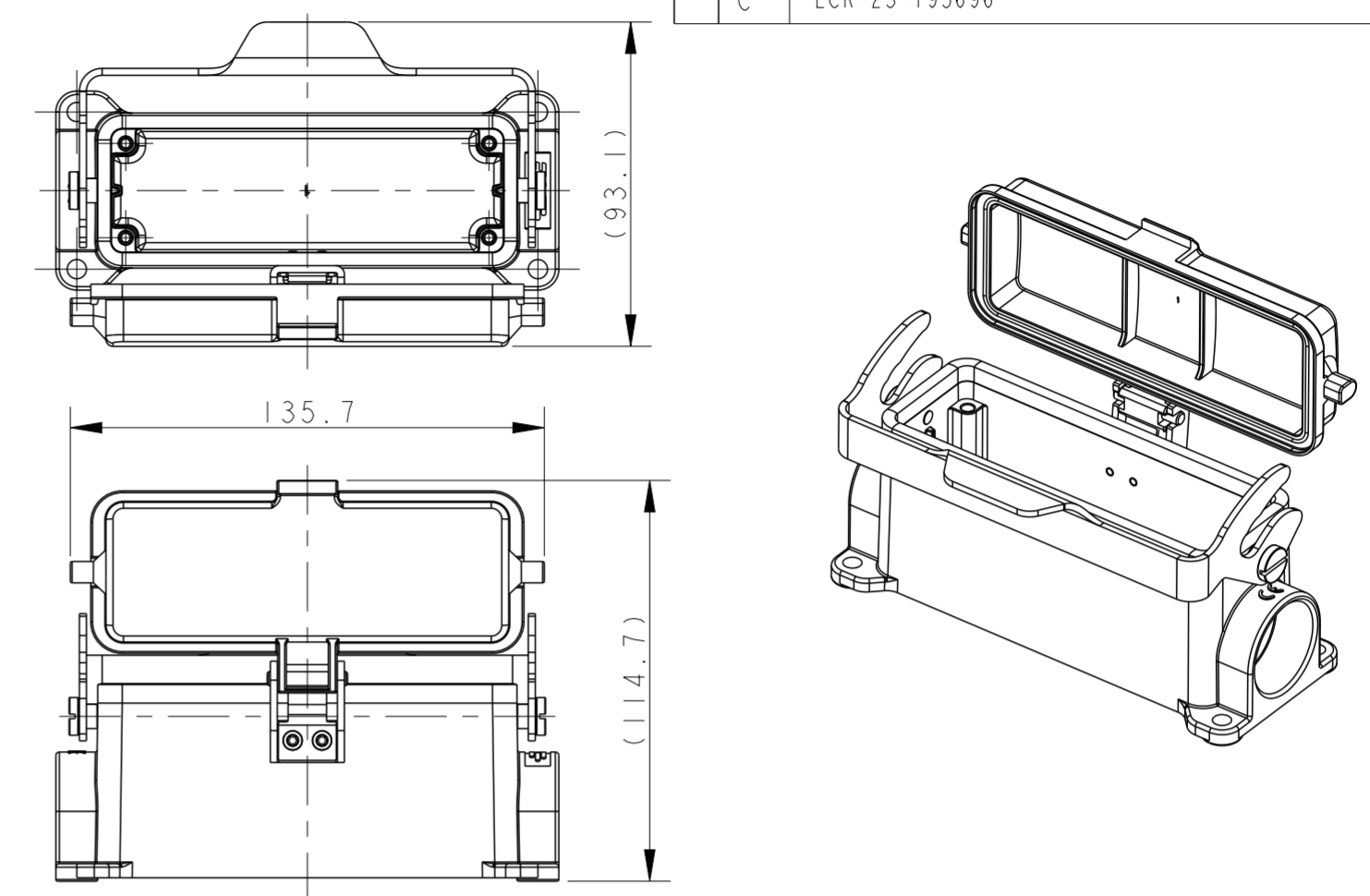
REVISIONS				
P	LTR	DESCRIPTION	DATE	APVD
A		INITIAL RELEASE	02JUL2015	DL CW
AI		ECR-18-019196	02JAN2019	WOR CW
B		ECR-20-014876	27JUL2021	WOR CW
C		ECR-23-195696	09MAY2024	BS CW



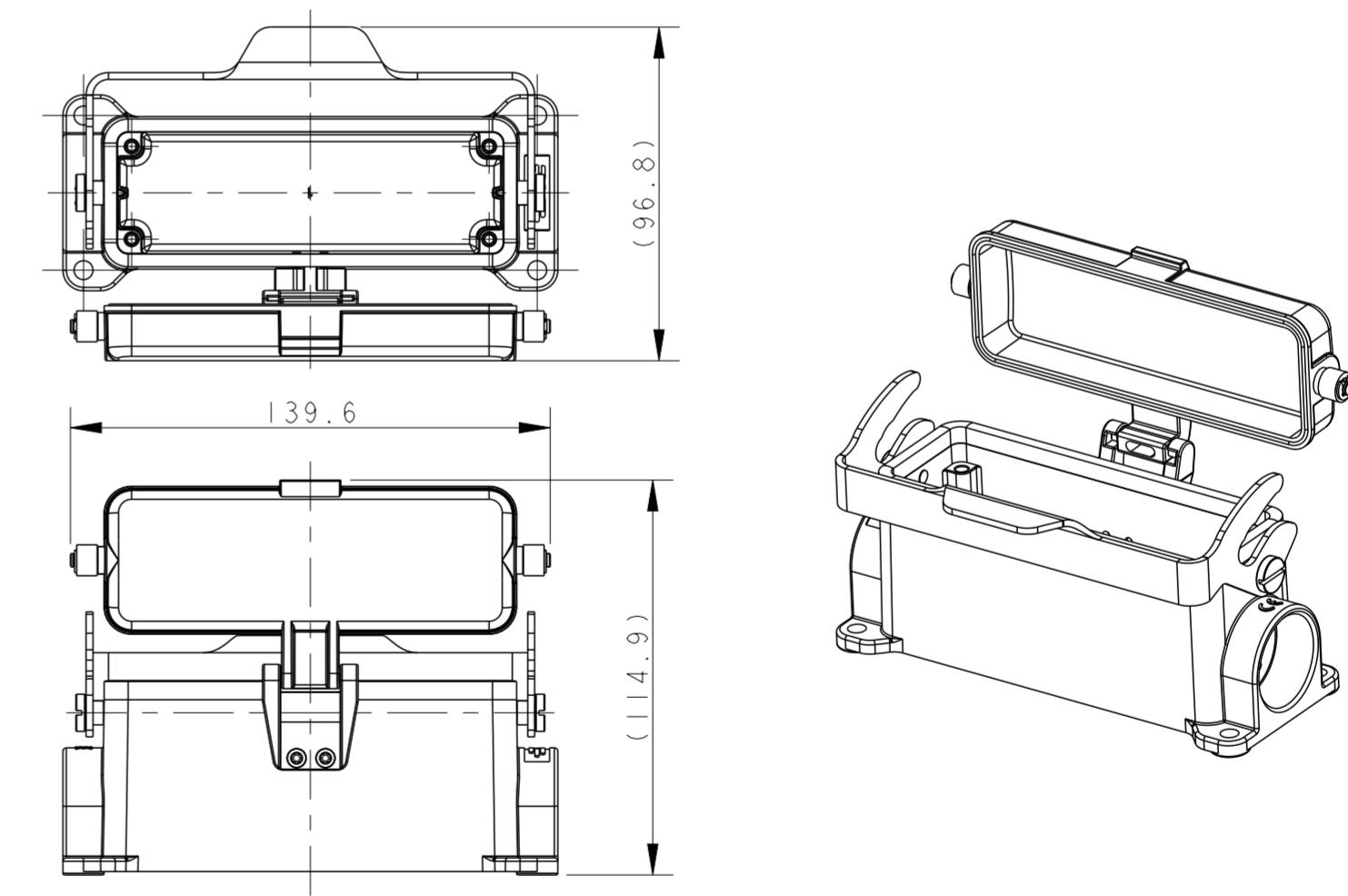
TYPE 1: H24B HOUSING, SURFACE MOUNTED, METAL SINGLE LOCKING.
 类型1: H24B下壳, 表面安装, 彩锌单扣.

NOTES:
 1. TECHNICAL CHARACTERISTICS:
 BODY MATERIAL: DIE CAST ALUMINIUM ALLOY
 SURFACE TREATMENT: POWDER-COATED, GRAY
 DEGREE OF PROTECTION: IP65 (MATED)

注释:
 1. 技术参数:
 主体材料: 铝合金
 表面处理: 粉末喷涂, 灰色
 防护等级: IP65(配合)



TYPE 2: H24B HOUSING, SURFACE MOUNTED, METAL SINGLE LOCKING+PLASTIC PROTECTION COVER
 OTHER SPEC REFER TO TYPE 1
 类型2: H24B下壳, 表面安装, 彩锌单扣+带塑料保护盖
 其余规范参考类型1

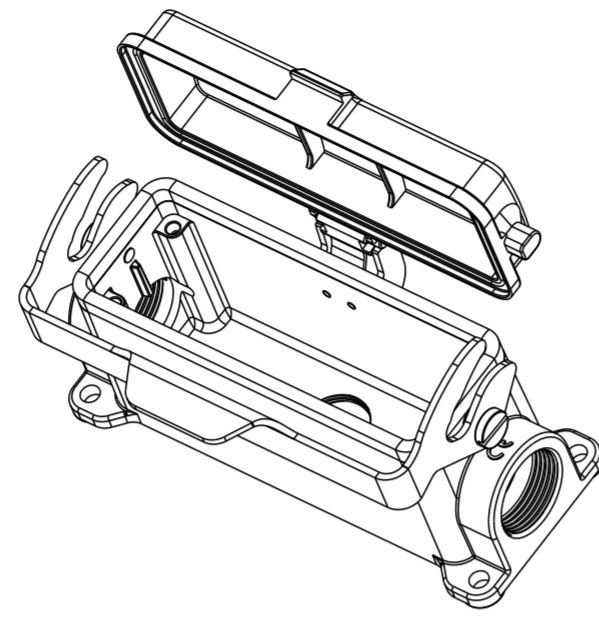
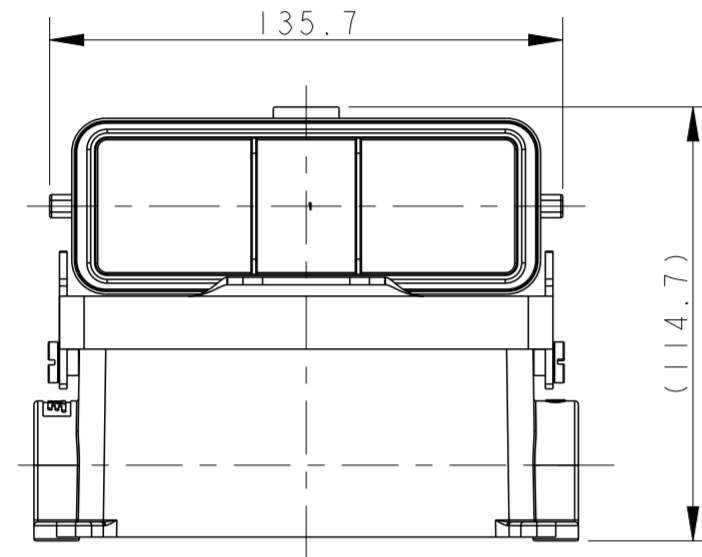
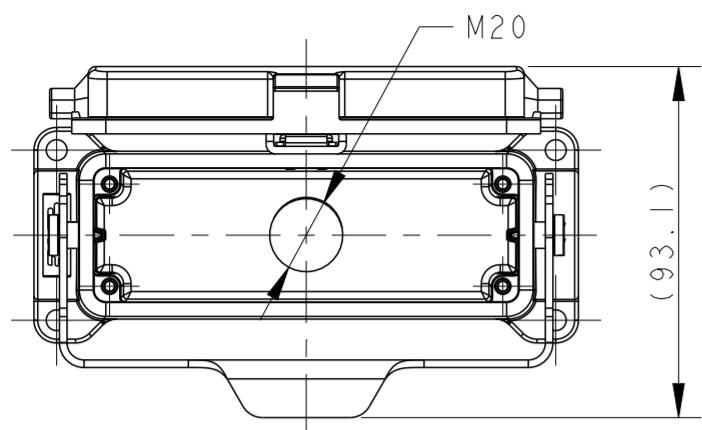


TYPE 3: H24B HOUSING, SURFACE MOUNTED, METAL SINGLE LOCKING+METAL PROTECTION COVER
 OTHER SPEC REFER TO TYPE 1
 类型3: H24B下壳, 表面安装, 彩锌单扣+带金属保护盖
 其余规范参考类型1

THIS DRAWING IS A CONTROLLED DOCUMENT.		DWN DAVID LI 02JUL2015	STE TE Connectivity	
		CHK CHRIS WANG 02JUL2015		
		APVD XU XIANG 02JUL2015	NAME H24B-SGR/SDR/SDRM/SGRH/SDRH/SDRHM-LB-PG/M	
DIMENSIONS: mm		PRODUCT SPEC 108-137013	SIZE A2	CAGE CODE -
TOLERANCES UNLESS OTHERWISE SPECIFIED:		APPLICATION SPEC 114-137013	DRAWING NO. C-T16X0243XXXX00	RESTRICTED TO -
MATERIAL -		WEIGHT -	SCALE 1:2	SHEET 1 OF 4
		Customer Drawing	REV C	

THIS DRAWING IS UNPUBLISHED. RELEASED FOR PUBLICATION 20
 © COPYRIGHT 20 BY - ALL RIGHTS RESERVED.

REVISIONS				
P	LTR	DESCRIPTION	DATE	DWN APVD
-	-	SEE SHEET 1	-	-



TYPE 4: H24B HOUSING, SURFACE MOUNTED, METAL SINGLE LOCKING, SIDE ENTRY 2M25, BOTTOM ENTRY M20+PLASTIC PROTECTION COVER
 OTHER SPEC REFER TO TYPE 2
 类型4: H24B下壳, 表面安装, 彩锌单扣, 侧出2M25, 底出M20+带塑料保护盖
 其余规范参考类型2

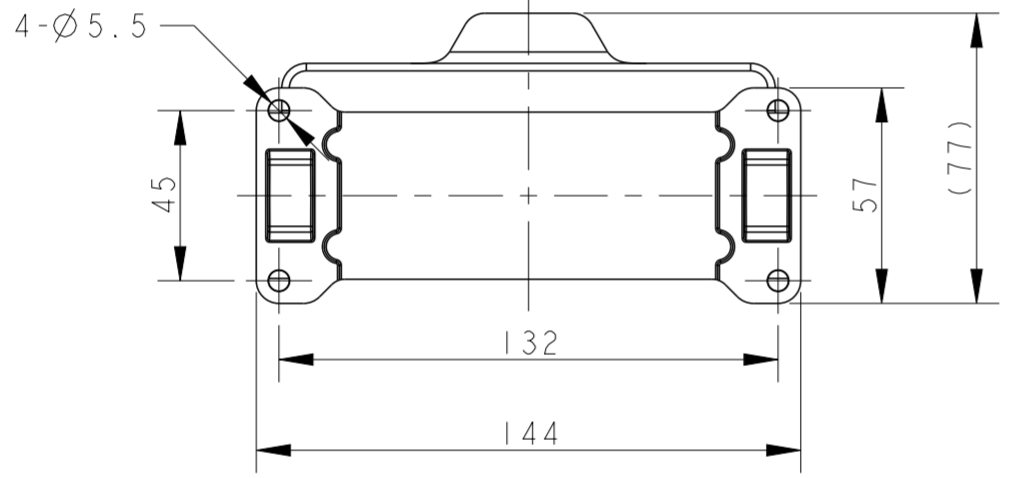
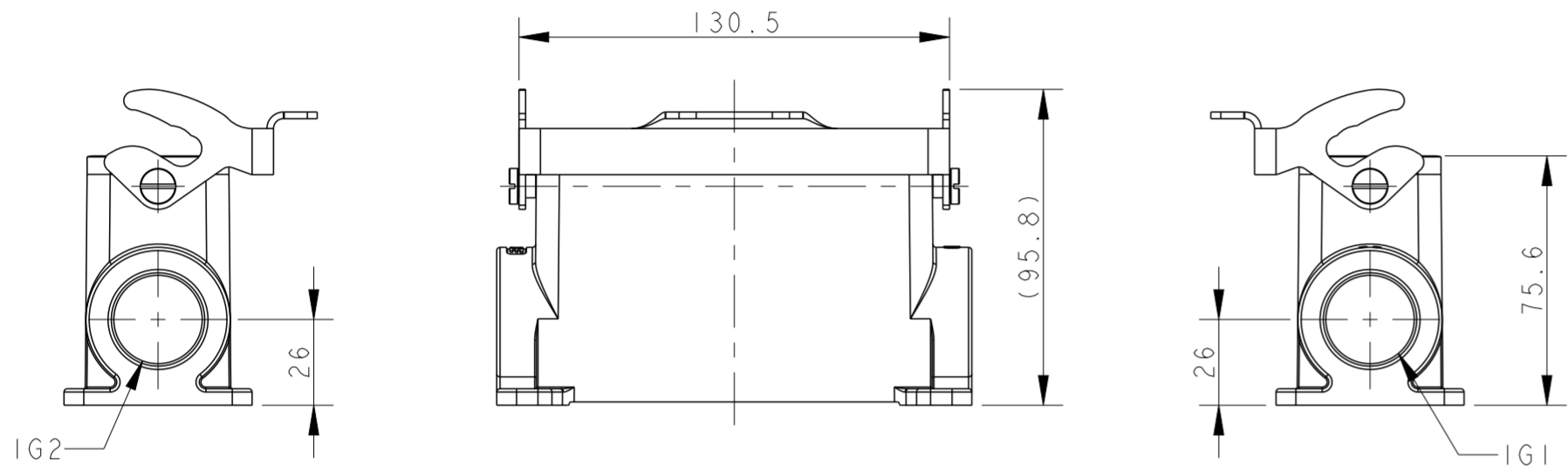
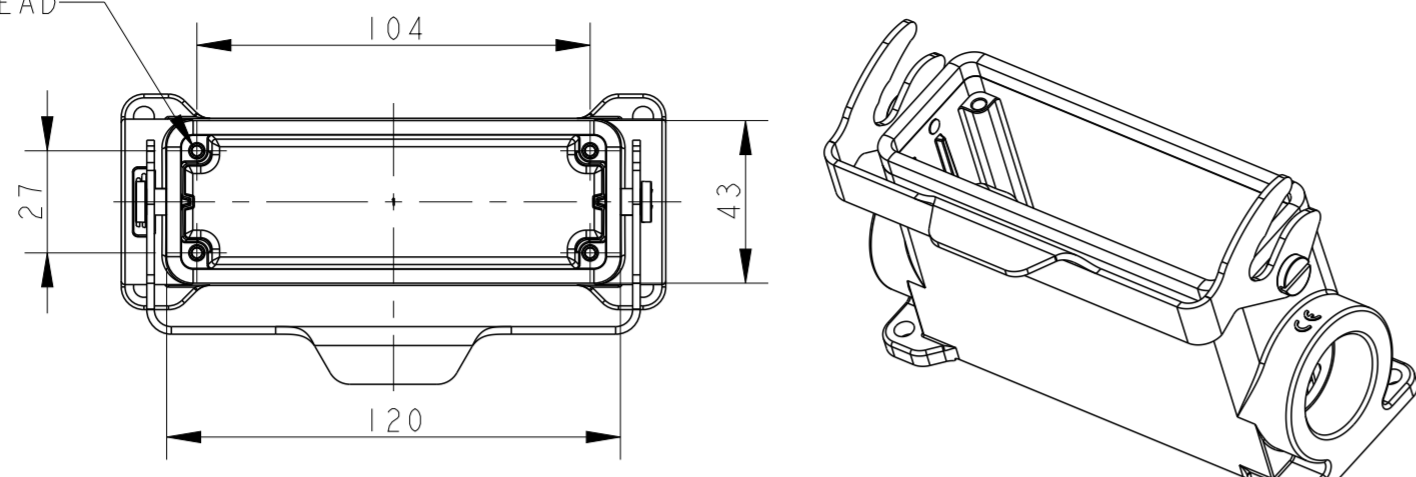
PART NUMBER	DESCRIPTION	IG1	IG2	TYPE
T1610243121-000	H24B-SGR-LB-PG21 H24B HOUSING, SURFACE MOUNTED, METAL SINGLE LOCKING, PG21, POWDER COATED, GREY H24B下壳, 表面安装, 彩锌单扣, PG21, 灰色粉末喷涂	PG21	-	TYPE 1 类型 1
T1610243125-000	H24B-SGR-LB-M25 H24B HOUSING, SURFACE MOUNTED, METAL SINGLE LOCKING, M25, POWDER COATED, GREY H24B下壳, 表面安装, 彩锌单扣, M25, 灰色粉末喷涂	M25	-	
T1610243221-000	H24B-SGR-LB-2PG21 H24B HOUSING, SURFACE MOUNTED, METAL SINGLE LOCKING, 2PG21, POWDER COATED, GREY H24B下壳, 表面安装, 彩锌单扣, 2PG21, 灰色粉末喷涂	PG21	PG21	
T1610243225-000	H24B-SGR-LB-2M25 H24B HOUSING, SURFACE MOUNTED, METAL SINGLE LOCKING, 2M25, POWDER COATED, GREY H24B下壳, 表面安装, 彩锌单扣, 2M25, 灰色粉末喷涂	M25	M25	TYPE 2 类型 2
T1620243121-000	H24B-SDR-LB-PG21 H24B HOUSING, SURFACE MOUNTED, METAL SINGLE LOCKING, PG21, PLASTIC PROTECTION COVER, POWDER COATED, GREY H24B下壳, 表面安装, 彩锌单扣, PG21, 带塑料保护盖, 灰色粉末喷涂	PG21	-	
T1620243125-000	H24B-SDR-LB-M25 H24B HOUSING, SURFACE MOUNTED, METAL SINGLE LOCKING, M25, PLASTIC PROTECTION COVER, POWDER COATED, GREY H24B下壳, 表面安装, 彩锌单扣, M25, 带塑料保护盖, 灰色粉末喷涂	M25	-	
T1620243221-000	H24B-SDR-LB-2PG21 H24B HOUSING, SURFACE MOUNTED, METAL SINGLE LOCKING, 2PG21, PLASTIC PROTECTION COVER, POWDER COATED, GREY H24B下壳, 表面安装, 彩锌单扣, 2PG21, 带塑料保护盖, 灰色粉末喷涂	PG21	PG21	
T1620243225-000	H24B-SDR-LB-2M25 H24B HOUSING, SURFACE MOUNTED, METAL SINGLE LOCKING, 2M25, PLASTIC PROTECTION COVER, POWDER COATED, GREY H24B下壳, 表面安装, 彩锌单扣, 2M25, 带塑料保护盖, 灰色粉末喷涂	M25	M25	TYPE 3 类型 3
T1620243421-000	H24B-SDRM-LB-PG21 H24B HOUSING, SURFACE MOUNTED, METAL SINGLE LOCKING, PG21, METAL PROTECTION COVER, POWDER COATED, GREY H24B下壳, 表面安装, 彩锌单扣, PG21, 带金属保护盖, 灰色粉末喷涂	PG21	-	
T1620243425-000	H24B-SDRM-LB-M25 H24B HOUSING, SURFACE MOUNTED, METAL SINGLE LOCKING, M25, METAL PROTECTION COVER, POWDER COATED, GREY H24B下壳, 表面安装, 彩锌单扣, M25, 带金属保护盖, 灰色粉末喷涂	M25	-	
T1620243321-000	H24B-SDRM-LB-2PG21 H24B HOUSING, SURFACE MOUNTED, METAL SINGLE LOCKING, 2PG21, METAL PROTECTION COVER, POWDER COATED, GREY H24B下壳, 表面安装, 彩锌单扣, 2PG21, 带金属保护盖, 灰色粉末喷涂	PG21	PG21	
T1620243325-000	H24B-SDRM-LB-2M25 H24B HOUSING, SURFACE MOUNTED, METAL SINGLE LOCKING, 2M25, METAL PROTECTION COVER, POWDER COATED, GREY H24B下壳, 表面安装, 彩锌单扣, 2M25, 带金属保护盖, 灰色粉末喷涂	M25	M25	TYPE 4 类型 4
T1620242520-000	H24B-SDR-LB-2M25/M20 H24B HOUSING, SURFACE MOUNTED, METAL SINGLE LOCKING, SIDE ENTRY 2M25, BOTTOM ENTRY M20, PLASTIC PROTECTION COVER, POWDER COATED, GREY H24B下壳, 表面安装, 彩锌单扣, 侧出2M25, 底出M20, 带塑料保护盖, 灰色粉末喷涂	M25	M25	
PART NUMBER 料号	DESCRIPTION 描述	IG1	IG2	TYPE 类型

THIS DRAWING IS A CONTROLLED DOCUMENT.		DWN DAVID LI 02JUL2015	STE TE Connectivity	
		CHK CHRIS WANG 02JUL2015		
DIMENSIONS: mm		APVD XU XIANG 02JUL2015	NAME H24B-SGR/SDR/SDRM/SGRH/SDRH/SDRHM-LB-PG/M	
TOLERANCES UNLESS OTHERWISE SPECIFIED:		PRODUCT SPEC 108-137013	SIZE A2	
0 PLC ±-		APPLICATION SPEC 114-137013	CAGE CODE -	
1 PLC ±-		WEIGHT -	DRAWING NO. C-T16X0243XXXX00	
2 PLC ±-		Customer Drawing	RESTRICTED TO -	
3 PLC ±-			SCALE 1:2	
4 PLC ±-			SHEET 2 OF 4	
ANGLES ±-			REV C	
FINISH -				
-				

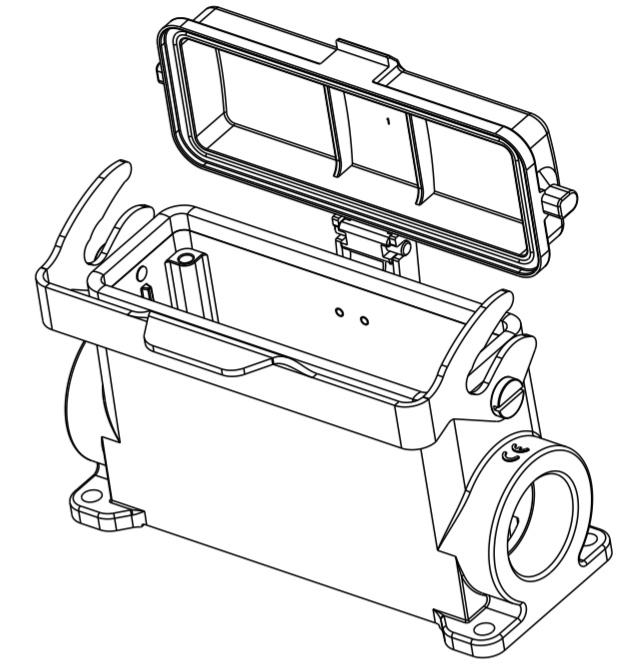
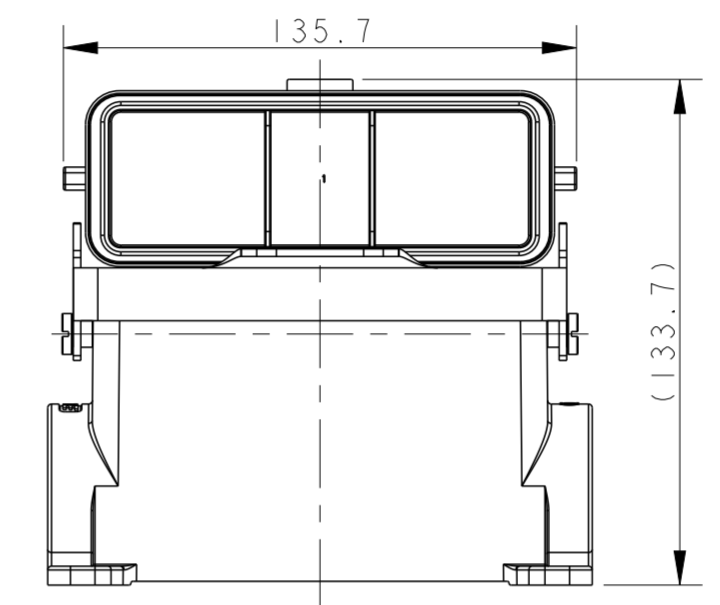
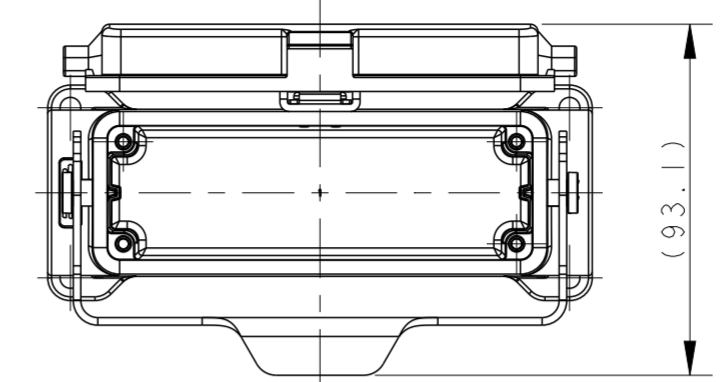
THIS DRAWING IS UNPUBLISHED. RELEASED FOR PUBLICATION 20
 © COPYRIGHT 20 BY - ALL RIGHTS RESERVED.

REVISIONS					
P	LTR	DESCRIPTION	DATE	DWN	APVD
-		SEE SHEET 1	-	-	-

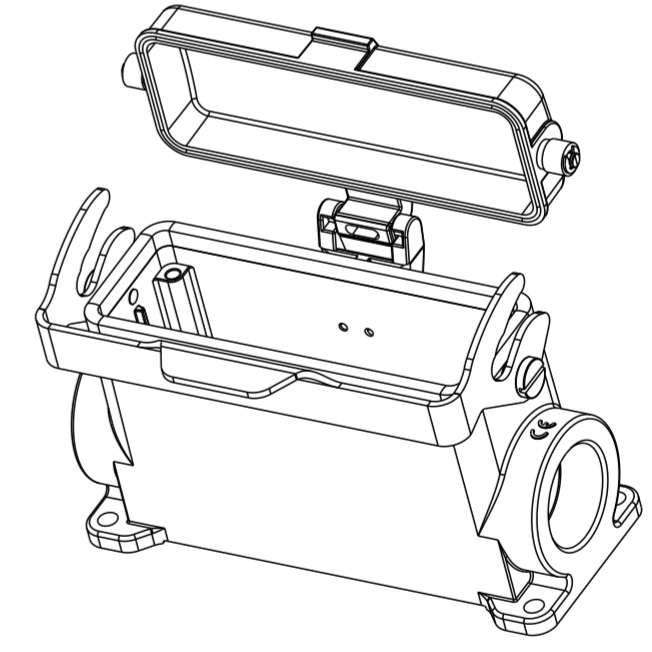
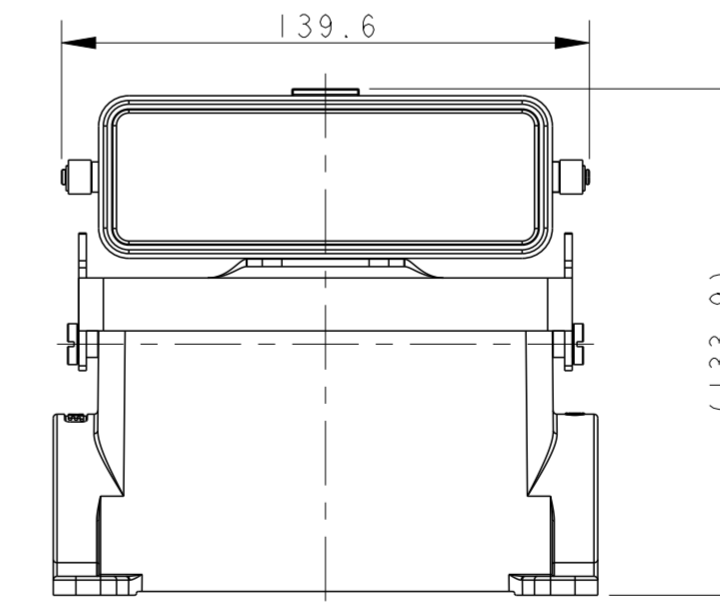
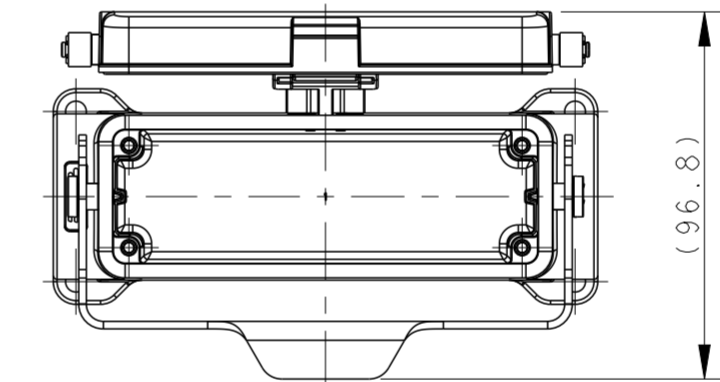
4X M3 THREAD
4X M3 螺纹



TYPE 5: H24B HOUSING, SURFACE MOUNTED, METAL SINGLE LOCKING, HIGH CONSTRUCTION
 类型5: H24B下壳, 表面安装, 彩锌单扣, 高结构



TYPE 6: H24B HOUSING, SURFACE MOUNTED, METAL SINGLE LOCKING, HIGH CONSTRUCTION+PLASTIC PROTECTION COVER
 OTHER SPEC REFER TO TYPE 5
 类型6: H24B下壳, 表面安装, 彩锌单扣, 高结构+带塑料保护盖
 其余规范参考类型5



TYPE 7: H24B HOUSING, SURFACE MOUNTED, METAL SINGLE LOCKING, HIGH CONSTRUCTION+METAL PROTECTION COVER
 OTHER SPEC REFER TO TYPE 5
 类型7: H24B下壳, 表面安装, 彩锌单扣, 高结构+带金属保护盖
 其余规范参考类型5

THIS DRAWING IS A CONTROLLED DOCUMENT.		DWN DAVID LI 02JUL2015	TE Connectivity		
DIMENSIONS: mm		CHK CHRIS WANG 02JUL2015			
TOLERANCES UNLESS OTHERWISE SPECIFIED:		APVD XU XIANG 02JUL2015	NAME H24B-SGR/SDR/SDRM/SGRH/SDRH/SDRHM-LB-PG/M		
0 PLC ±		PRODUCT SPEC 108-137013	SIZE A2	CAGE CODE -	DRAWING NO. C-T16X0243XXXX00
1 PLC ±		APPLICATION SPEC 114-137013	RESTRICTED TO -	SCALE 1:2	
2 PLC ±		WEIGHT -	SHEET 3 OF 4		REV C
3 PLC ±		Customer Drawing			
4 PLC ±					
ANGLES ±					
FINISH -					
MATERIAL -					

THIS DRAWING IS UNPUBLISHED. RELEASED FOR PUBLICATION 20
 © COPYRIGHT 20 BY - ALL RIGHTS RESERVED.

REVISIONS					
P	LTR	DESCRIPTION	DATE	DWN	APVD
-	-	SEE SHEET 1	-	-	-

PART NUMBER	DESCRIPTION	IG1	IG2	TYPE	
T1650243121-000	H24B-SGRH-LB-PG21 H24B HOUSING,SURFACE MOUNTED,METAL SINGLE LOCKING, PG21, HIGH CONSTRUCTION, POWDER COATED, GREY H24B下壳,表面安装,彩锌单扣,PG21,高结构,灰色粉末喷涂	PG21	-	TYPE 5 类型 5	
T1650243125-000	H24B-SGRH-LB-M25 H24B HOUSING,SURFACE MOUNTED,METAL SINGLE LOCKING, M25, HIGH CONSTRUCTION, POWDER COATED, GREY H24B下壳,表面安装,彩锌单扣,M25,高结构,灰色粉末喷涂	M25	-		
T1650243129-000	H24B-SGRH-LB-PG29 H24B HOUSING,SURFACE MOUNTED,METAL SINGLE LOCKING, PG29, HIGH CONSTRUCTION, POWDER COATED, GREY H24B下壳,表面安装,彩锌单扣,PG29,高结构,灰色粉末喷涂	PG29	-		
T1650243132-000	H24B-SGRH-LB-M32 H24B HOUSING,SURFACE MOUNTED,METAL SINGLE LOCKING, M32, HIGH CONSTRUCTION, POWDER COATED, GREY H24B下壳,表面安装,彩锌单扣,M32,高结构,灰色粉末喷涂	M32	-		
T1650243221-000	H24B-SGRH-LB-2PG21 H24B HOUSING,SURFACE MOUNTED,METAL SINGLE LOCKING, 2PG21, HIGH CONSTRUCTION, POWDER COATED, GREY H24B下壳,表面安装,彩锌单扣,2PG21,高结构,灰色粉末喷涂	PG21	PG21		
T1650243229-000	H24B-SGRH-LB-2PG29 H24B HOUSING,SURFACE MOUNTED,METAL SINGLE LOCKING, 2PG29, HIGH CONSTRUCTION, POWDER COATED, GREY H24B下壳,表面安装,彩锌单扣,2PG29,高结构,灰色粉末喷涂	PG29	PG29		
T1650243232-000	H24B-SGRH-LB-2M32 H24B HOUSING,SURFACE MOUNTED,METAL SINGLE LOCKING, 2M32, HIGH CONSTRUCTION, POWDER COATED, GREY H24B下壳,表面安装,彩锌单扣,2M32,高结构,灰色粉末喷涂	M32	M32		
T1660243121-000	H24B-SDRH-LB-PG21 H24B HOUSING,SURFACE MOUNTED,METAL SINGLE LOCKING,PG21, HIGH CONSTRUCTION, PLASTIC PROTECTION COVER, POWDER COATED, GREY H24B下壳,表面安装,彩锌单扣,PG21,高结构,带塑料保护盖,灰色粉末喷涂	PG21	-		TYPE 6 类型 6
T1660243129-000	H24B-SDRH-LB-PG29 H24B HOUSING,SURFACE MOUNTED,METAL SINGLE LOCKING,PG29, HIGH CONSTRUCTION, PLASTIC PROTECTION COVER, POWDER COATED, GREY H24B下壳,表面安装,彩锌单扣,PG29,高结构,带塑料保护盖,灰色粉末喷涂	PG29	-		
T1660243132-000	H24B-SDRH-LB-M32 H24B HOUSING,SURFACE MOUNTED,METAL SINGLE LOCKING,M32, HIGH CONSTRUCTION, PLASTIC PROTECTION COVER, POWDER COATED, GREY H24B下壳,表面安装,彩锌单扣,M32,高结构,带塑料保护盖,灰色粉末喷涂	M32	-		
T1660243221-000	H24B-SDRH-LB-2PG21 H24B HOUSING,SURFACE MOUNTED,METAL SINGLE LOCKING,2PG21, HIGH CONSTRUCTION, PLASTIC PROTECTION COVER, POWDER COATED, GREY H24B下壳,表面安装,彩锌单扣,2PG21,高结构,带塑料保护盖,灰色粉末喷涂	PG21	PG21		
T1660243229-000	H24B-SDRH-LB-2PG29 H24B HOUSING,SURFACE MOUNTED,METAL SINGLE LOCKING,2PG29, HIGH CONSTRUCTION, PLASTIC PROTECTION COVER, POWDER COATED, GREY H24B下壳,表面安装,彩锌单扣,2PG29,高结构,带塑料保护盖,灰色粉末喷涂	PG29	PG29		
T1660243232-000	H24B-SDRH-LB-2M32 H24B HOUSING,SURFACE MOUNTED,METAL SINGLE LOCKING,2M32, HIGH CONSTRUCTION, PLASTIC PROTECTION COVER, POWDER COATED, GREY H24B下壳,表面安装,彩锌单扣,2M32,高结构,带塑料保护盖,灰色粉末喷涂	M32	M32		
T1660243121-100	H24B-SDRHM-LB-PG21 H24B HOUSING,SURFACE MOUNTED,METAL SINGLE LOCKING,PG21, HIGH CONSTRUCTION, METAL PROTECTION COVER, POWDER COATED, GREY H24B下壳,表面安装,彩锌单扣,PG21,高结构,带金属保护盖,灰色粉末喷涂	PG21	-		
T1660243129-100	H24B-SDRHM-LB-PG29 H24B HOUSING,SURFACE MOUNTED,METAL SINGLE LOCKING,PG29, HIGH CONSTRUCTION, METAL PROTECTION COVER, POWDER COATED, GREY H24B下壳,表面安装,彩锌单扣,PG29,高结构,带金属保护盖,灰色粉末喷涂	PG29	-		
T1660243132-100	H24B-SDRHM-LB-M32 H24B HOUSING,SURFACE MOUNTED,METAL SINGLE LOCKING,M32, HIGH CONSTRUCTION, METAL PROTECTION COVER, POWDER COATED, GREY H24B下壳,表面安装,彩锌单扣,M32,高结构,带金属保护盖,灰色粉末喷涂	M32	-		
T1660243221-100	H24B-SDRHM-LB-2PG21 H24B HOUSING,SURFACE MOUNTED,METAL SINGLE LOCKING,2PG21, HIGH CONSTRUCTION, METAL PROTECTION COVER, POWDER COATED, GREY H24B下壳,表面安装,彩锌单扣,2PG21,高结构,带金属保护盖,灰色粉末喷涂	PG21	PG21		
T1660243229-100	H24B-SDRHM-LB-2PG29 H24B HOUSING,SURFACE MOUNTED,METAL SINGLE LOCKING,2PG29, HIGH CONSTRUCTION, METAL PROTECTION COVER, POWDER COATED, GREY H24B下壳,表面安装,彩锌单扣,2PG29,高结构,带金属保护盖,灰色粉末喷涂	PG29	PG29		
T1660243232-100	H24B-SDRHM-LB-2M32 H24B HOUSING,SURFACE MOUNTED,METAL SINGLE LOCKING,2M32, HIGH CONSTRUCTION, METAL PROTECTION COVER, POWDER COATED, GREY H24B下壳,表面安装,彩锌单扣,2M32,高结构,带金属保护盖,灰色粉末喷涂	M32	M32		
PART NUMBER 料号	DESCRIPTION 描述	IG1	IG2	TYPE 类型	

THIS DRAWING IS A CONTROLLED DOCUMENT.		DWN DAVID LI 02 JUL 2015	STE TE Connectivity	
DIMENSIONS: mm		CHK CHRIS WANG 02 JUL 2015		
TOLERANCES UNLESS OTHERWISE SPECIFIED:		APVD XU XIANG 02 JUL 2015	NAME H24B-SGR/SDR/SDRM/SGRH/SDRH/SDRHM-LB-PG/M	
0 PLC ±-		PRODUCT SPEC 108-137013	SIZE A2	
1 PLC ±-		APPLICATION SPEC 114-137013	CAGE CODE -	
2 PLC ±-		WEIGHT -	DRAWING NO. C-T16X0243XXXX00	
3 PLC ±-		Customer Drawing	RESTRICTED TO -	
4 PLC ±-			SCALE 1:2	
ANGLES ±-			SHEET 4 OF 4	
FINISH -			REV C	