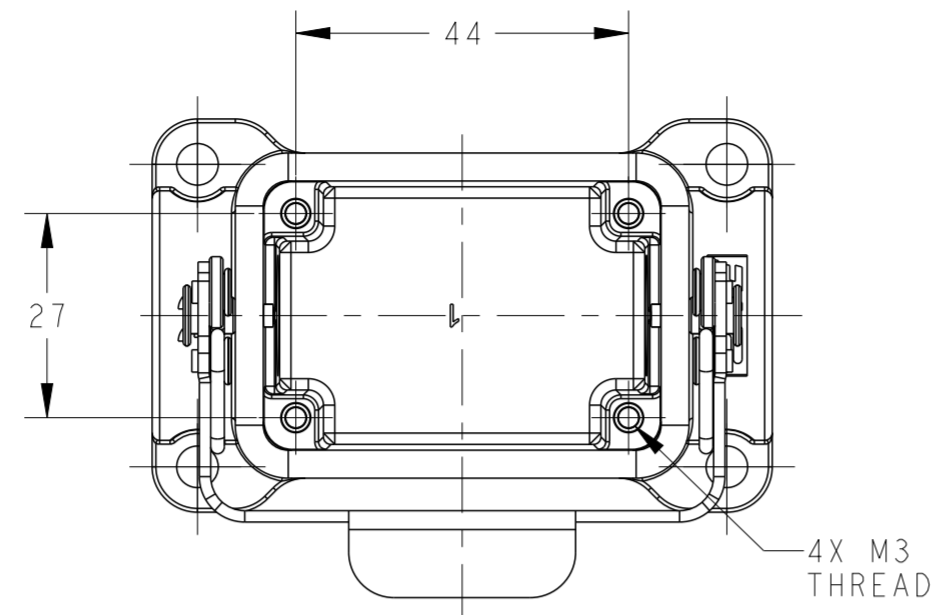


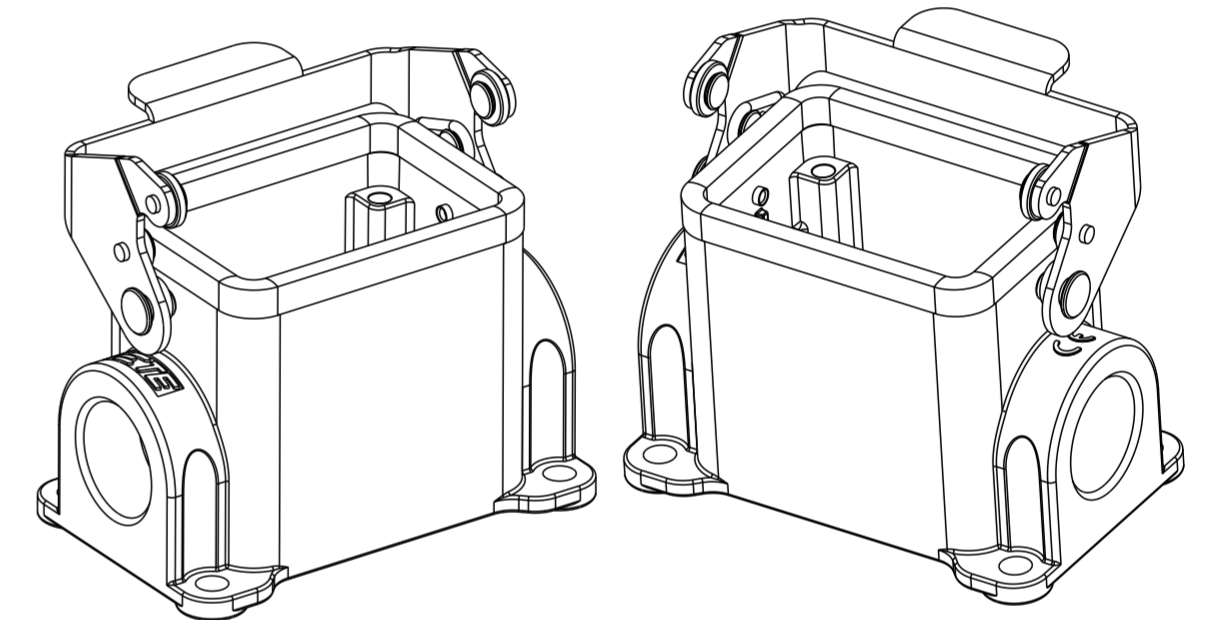
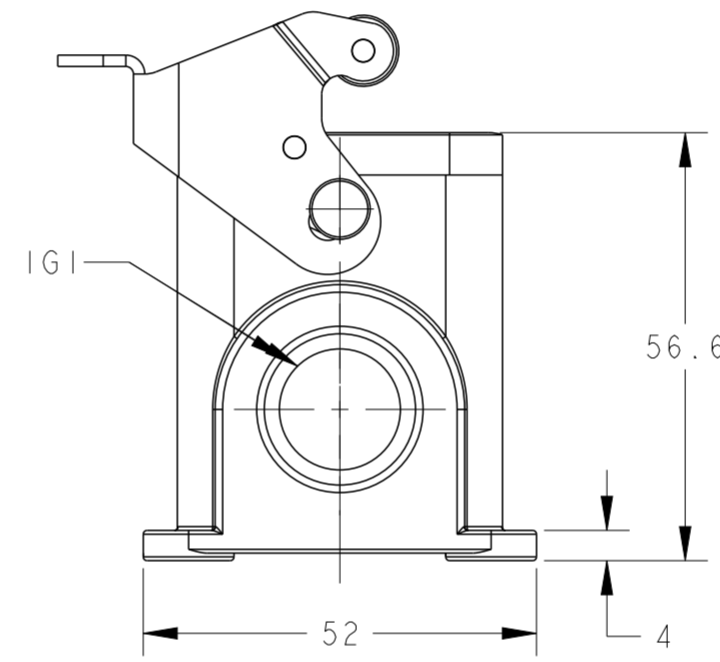
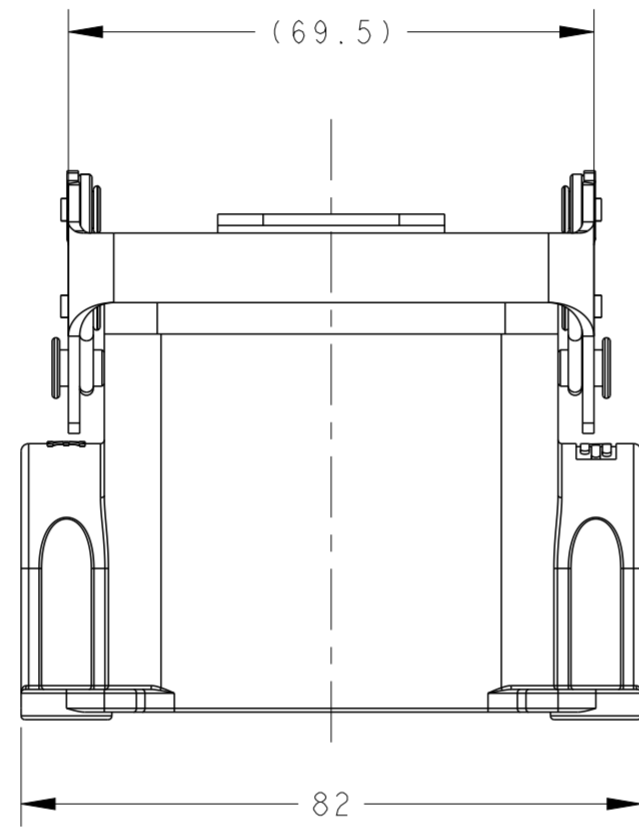
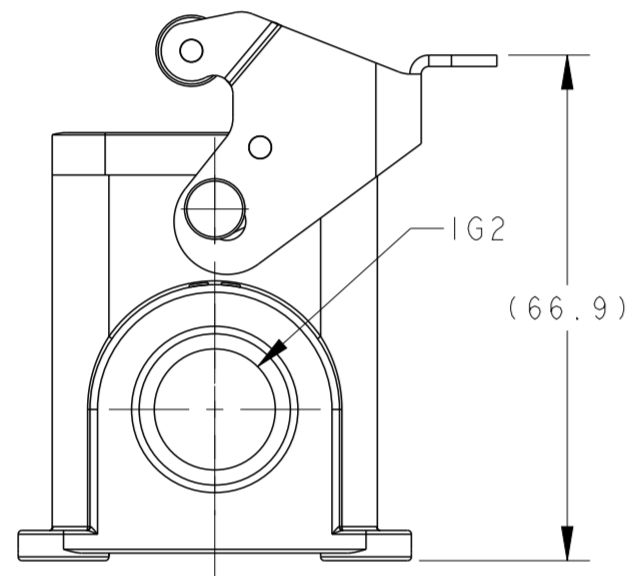
THIS DRAWING IS UNPUBLISHED. RELEASED FOR PUBLICATION 20
 © COPYRIGHT 20 BY - ALL RIGHTS RESERVED.

REVISIONS				
P	LTR	DESCRIPTION	DATE	APVD
A		INITIAL	23JUN2015	DW CW
B		ECR-20-007968	11JUN2020	WOR CW

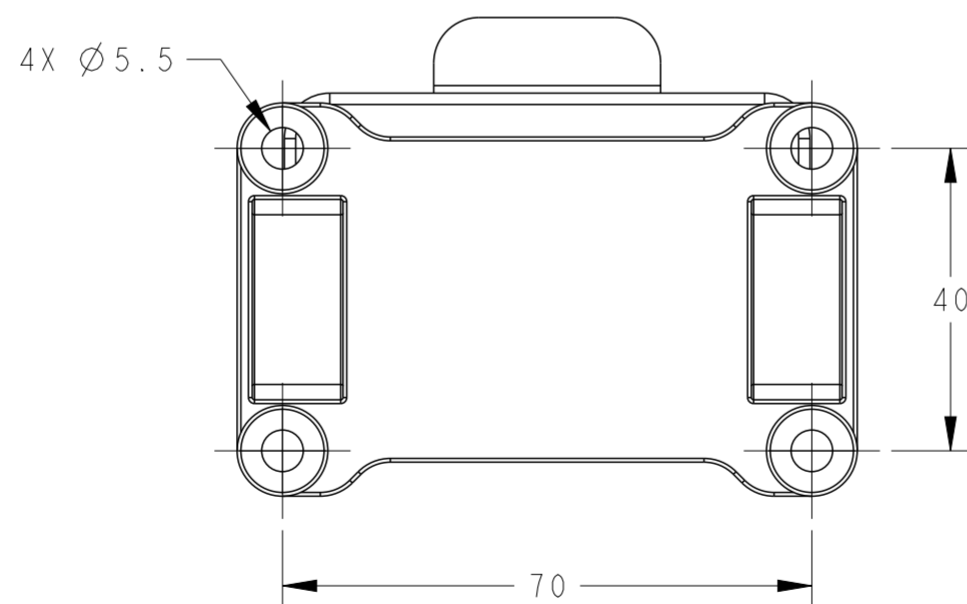


NOTES:
 1. TECHNICAL CHARACTERISTICS:
 HOUSING MATERIAL: DIE CAST ALUMINIUM ALLOY
 SURFACE: POWDER COATED, GREY
 DEGREE OF PROTECTION: IP65 (MATED)

注释:
 1. 技术参数:
 表面安装下壳材料: 铝合金
 表面处理: 粉末涂层, 灰色
 防护等级: IP65(配合)



SCALE 4:5



T1610062113-000	H6B-SGRS-PG13.5	PG13.5	-
T1610062116-000	H6B-SGRS-PG16	PG16	-
T1610062120-000	H6B-SGRS-M20	M20	-
T1610062125-000	H6B-SGRS-M25	M25	-
T1610062216-000	H6B-SGRS-2PG16	PG16	PG16
T1610062220-000	H6B-SGRS-2M20	M20	M20
T1610062225-000	H6B-SGRS-2M25	M25	M25
PART NUMBER	DESCRIPTION	IG1	IG2

THIS DRAWING IS A CONTROLLED DOCUMENT.		DWN 23JUN2015 David Wang	TE Connectivity	
		CHK 23JUN2015 Chris Wang		
DIMENSIONS: mm		APVD 23JUN2015 Xiang Xu	NAME H6B-SGRS-M/PG	
TOLERANCES UNLESS OTHERWISE SPECIFIED:		PRODUCT SPEC 108-137013	RESTRICTED TO	
0 PLC ±		APPLICATION SPEC 114-137013	SIZE A2	CAGE CODE 00779
1 PLC ±		WEIGHT -	DRAWING NO. T1610062XXXX00	
2 PLC ±		Customer Drawing	SCALE 1:1	SHEET 1 OF 1
3 PLC ±			REV B	
4 PLC ±				
ANGLES ±				
FINISH -				
-				