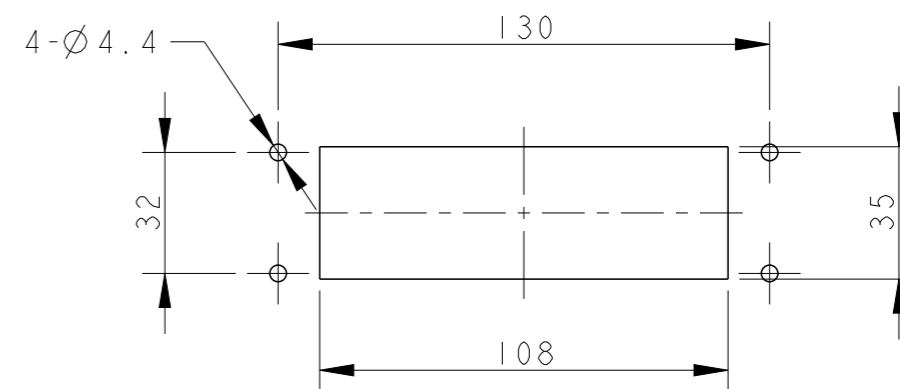
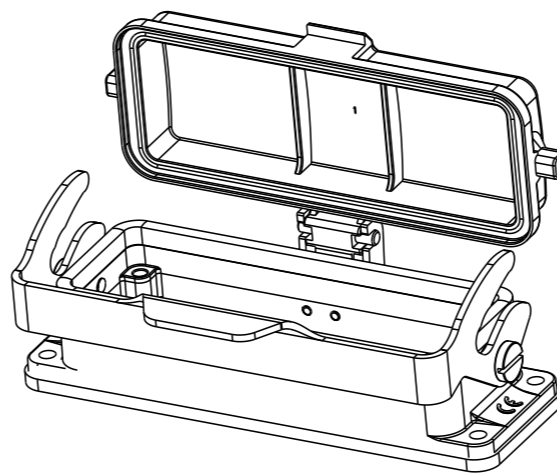
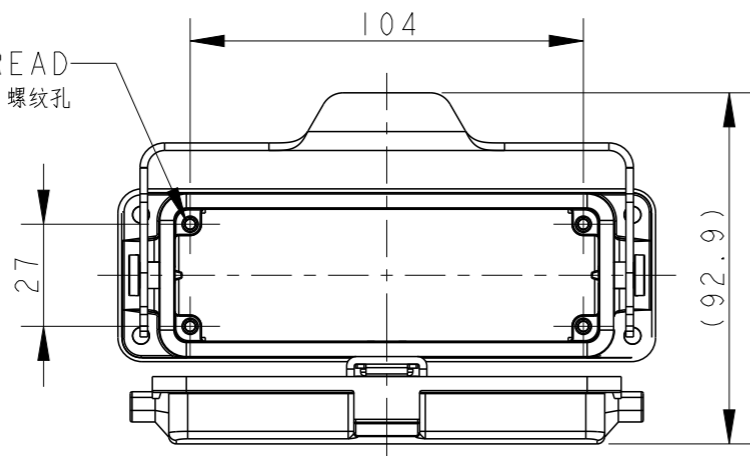


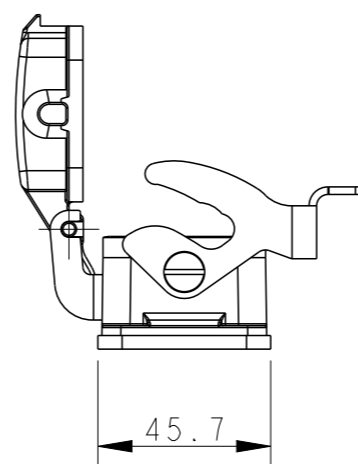
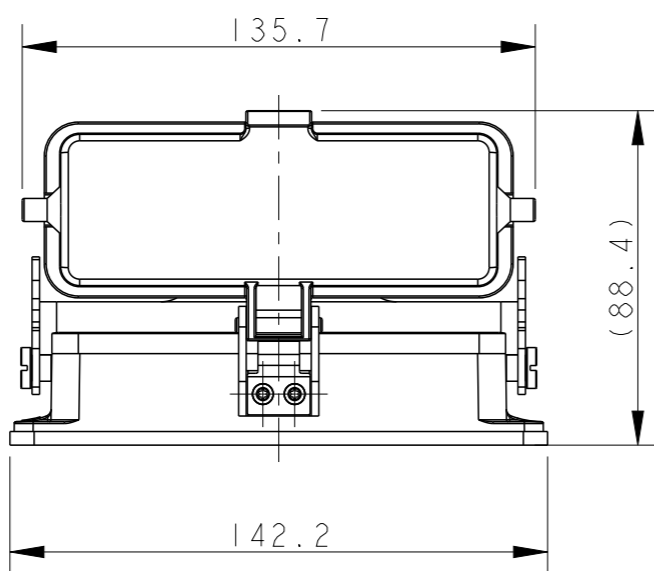
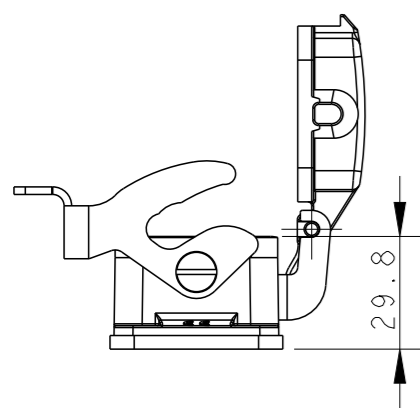
REVISIONS

P	LTR	DESCRIPTION	DATE	DWN	APVD
A		INITIAL RELEASE	18JUN2015	DL	CW
B		ECR-20-014876	23JUL2021	WQR	CW
C		ECR-23-195696	09MAY2024	BS	CW

4X M3 THREAD
4X M3 螺纹孔



PANNEL CUT OUT

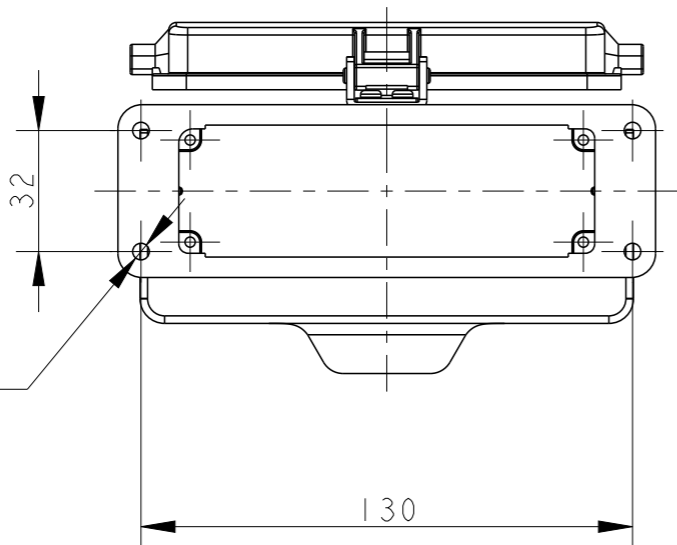


NOTES:


- 1. TECHNICAL CHARACTERISTICS:
 BODY MATERIAL: DIE CAST ALUMINIUM ALLOY
 SURFACE TREATMENT: POWDER-COATED, GRAY
 DEGREE OF PROTECTION: IP65 (MATED)

注释:

- 1. 技术参数:
 主体材料: 铝合金
 表面处理: 粉末喷涂, 灰色
 防护等级: IP65(配合)



T1510243000-000	H24B-AD-LB
ASSEMBLY PART NUMBER	ASSEMBLY PART DESCRIPTION

THIS DRAWING IS A CONTROLLED DOCUMENT.		DWN	DAVID LI	18JUN2015	 TE Connectivity	
DIMENSIONS: mm		CHK	CHRIS WANG	18JUN2015		
TOLERANCES UNLESS OTHERWISE SPECIFIED:		APVD	XU XIANG	18JUN2015		
0 PLC ±- 1 PLC ±- 2 PLC ±- 3 PLC ±- 4 PLC ±- ANGLES ±- FINISH -		PRODUCT SPEC	108-137013			
MATERIAL	TBD	APPLICATION SPEC	114-137013		NAME	H24B-AD-LB
		WEIGHT	-		SIZE	A3
		CUSTOMER DRAWING			CAGE CODE	-
		SCALE	1:2		DRAWING NO	©-T1510243000000
		SHEET	1 OF 1		RESTRICTED TO	
		REV	C			