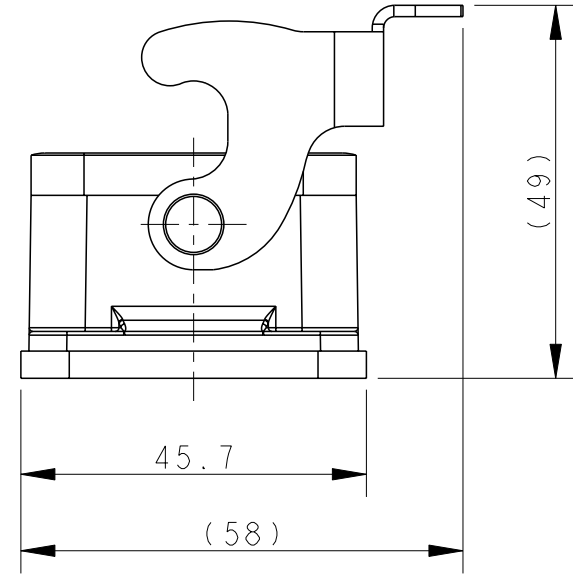
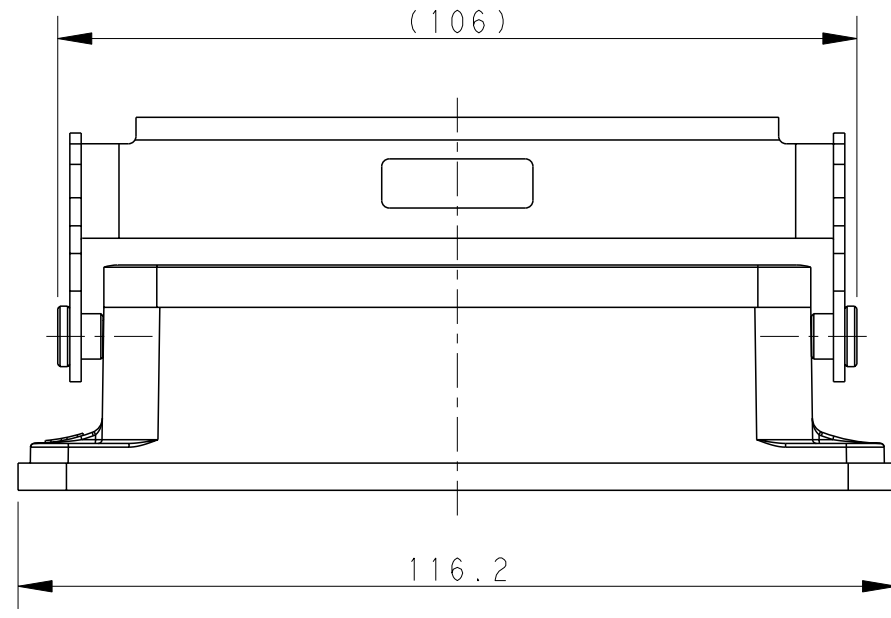


THIS DRAWING IS UNPUBLISHED. RELEASED FOR PUBLICATION 20
 © COPYRIGHT 20 BY - ALL RIGHTS RESERVED.

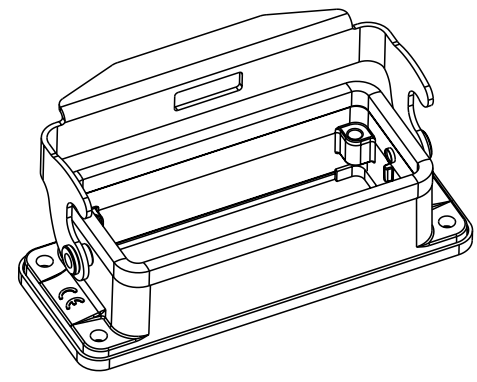
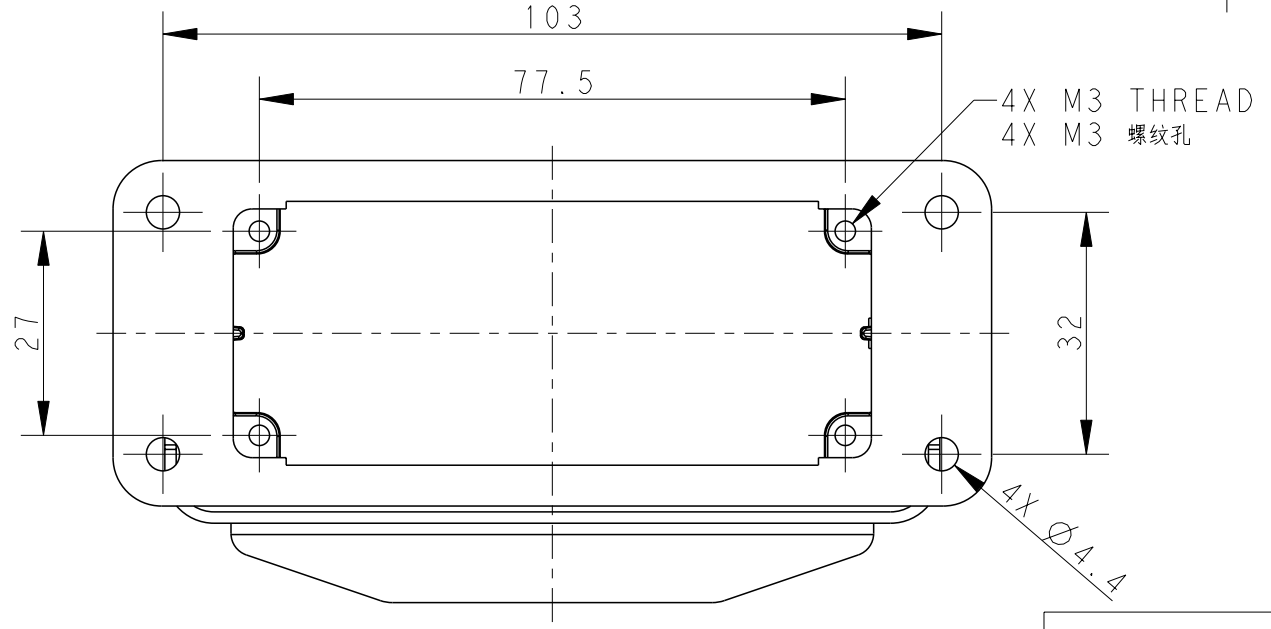
REVISIONS

| P | LTR | DESCRIPTION | DATE | DWN | APVD |
|---|-----|---------------|-----------|-----|------|
| | A | INITIAL | 28MAR2016 | DW | CW |
| | A1 | ECR-18-017710 | 14NOV2018 | CD | CW |
| | B | ECR-20-008190 | 14SEP2020 | WQR | CW |



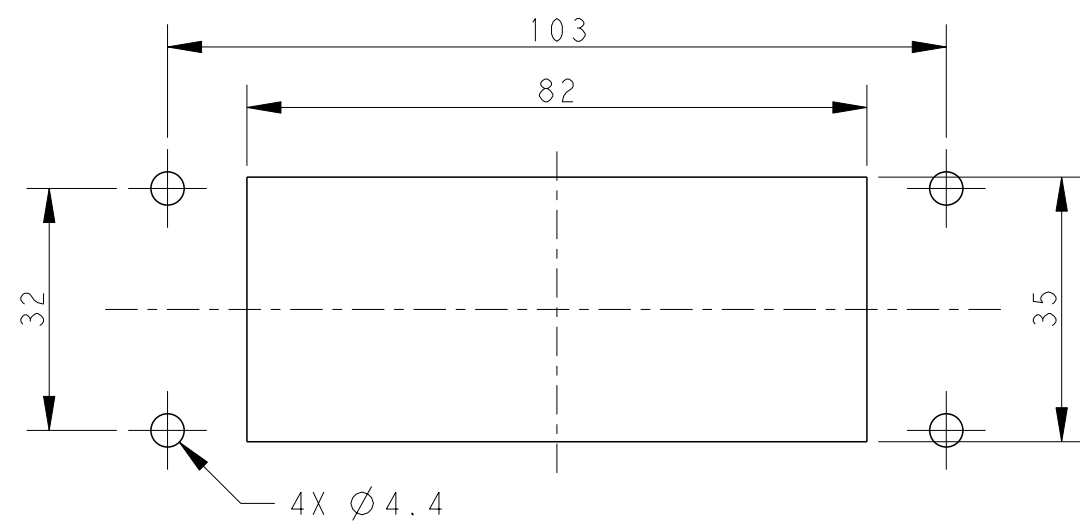
NOTES:
 1. TECHNICAL CHARACTERISTICS:
 HOUSING MATERIAL: DIE CAST ALUMINIUM ALLOY
 SURFACE: SEE TABLE
 DEGREE OF PROTECTION: IP65 (MATED)

注释:
 1. 技术参数:
 下壳材料: 铝合金
 表面处理: 见表格
 防护等级: IP65(配合)



SCALE 1:2

PANEL CUT OUT



| | | |
|---------------------|--------------------------|---|
| T1500162000-001 | H16B-AGS-LB | H16B HOUSING, BULKHEAD MOUNTED, STAINLESS STEEL SINGLE LOCKING POWDER COATED, DEEP GREY H16B下壳, 开孔安装, 不锈钢单扣, 深灰色粉末喷涂 |
| T1500162000-000 | H16B-AGS-LB | H16B HOUSING, BULKHEAD MOUNTED, STAINLESS STEEL SINGLE LOCKING POWDER COATED, GREY H16B下壳, 开孔安装, 不锈钢单扣, 灰色粉末喷涂 |
| PART NUMBER 零件料号 | PART DESCRIPTION 零件描述 | |

THIS DRAWING IS A CONTROLLED DOCUMENT.

| DIMENSIONS: | TOLERANCES UNLESS OTHERWISE SPECIFIED: |
|-------------|--|
| mm | |
| | 0 PLC ±- |
| | 1 PLC ±- |
| | 2 PLC ±- |
| | 3 PLC ±- |
| | 4 PLC ±- |
| | ANGLES ±- |
| MATERIAL | FINISH |
| - | - |
| - | - |

| | |
|------------------|------------|
| DWN | 28MAR2016 |
| DAVID WANG | |
| CHK | 28MAR2016 |
| CHRIS WANG | |
| APVD | 28MAR2016 |
| XIANG XU | |
| PRODUCT SPEC | 108-137013 |
| APPLICATION SPEC | 114-137013 |
| WEIGHT | - |
| Customer Drawing | |

TE TE Connectivity

NAME: H16B-AGS-LB

| SIZE | CAGE CODE | DRAWING NO | RESTRICTED TO |
|------|-----------|------------------|---------------|
| A3 | 00779 | C-T1500162000000 | - |

SCALE 1:1 SHEET 1 OF 1 REV B

printed on 14 Apr 2021 14:36 (China Standard Time) from TE343646