

THIS DRAWING IS UNPUBLISHED.

RELEASED FOR PUBLICATION

20

© COPYRIGHT 20 BY -

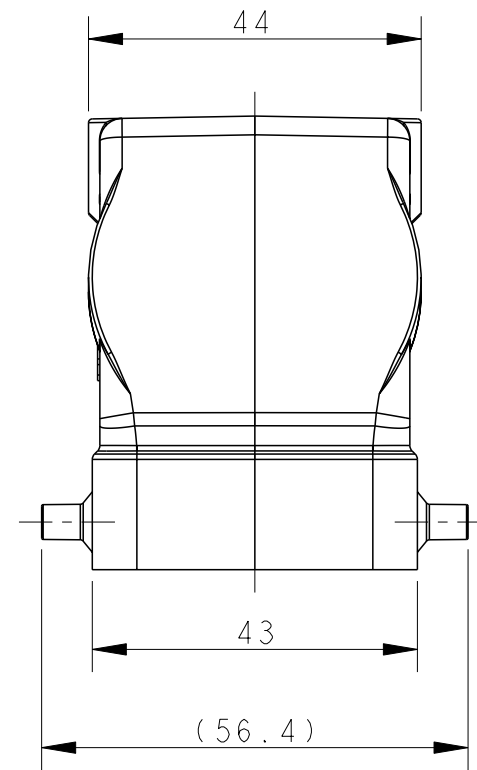
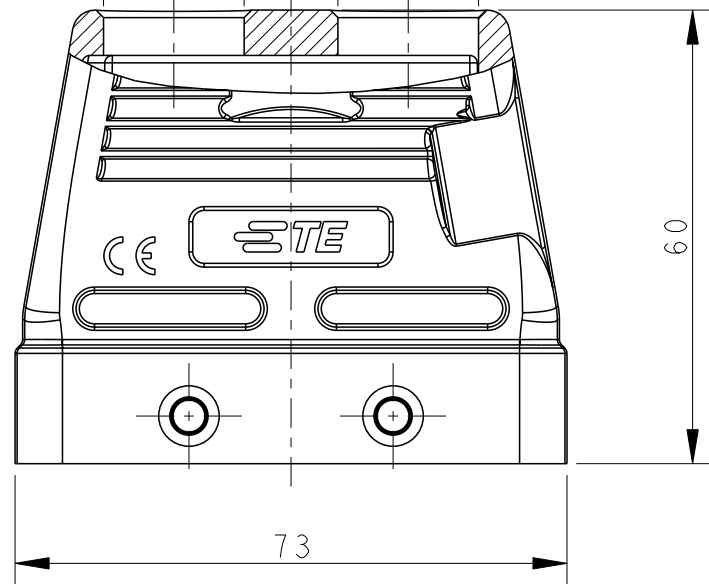
ALL RIGHTS RESERVED.

REVISIONS

P	LTR	DESCRIPTION	DATE	DWN	APVD
	A	INITIAL	19SEP2016	BS	CW
	B	ECR-18-015555	10OCT2018	GY	CW
	C	ECR-20-008181	28JUN2020	WQR	CW
	C1	ECR-21-103925	28MAY2021	WQR	CW

PG/M THREAD-1  
PG/M 螺纹孔-1

PG/M THREAD-2  
PG/M 螺纹孔-2

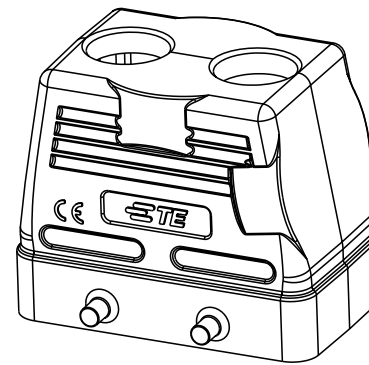
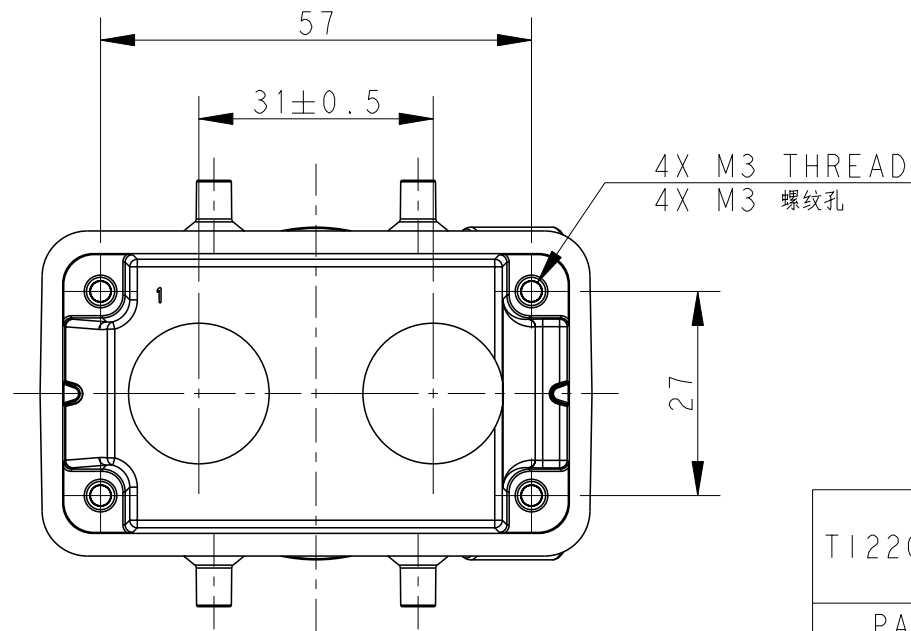


NOTES:

- 1. TECHNICAL CHARACTERISTICS:  
HOOD MATERIAL: DIE CAST ALUMINIUM ALLOY  
SURFACE: POWDER COATED, GREY  
DEGREE OF PROTECTION: IP65 (MATED)

注释:

- 1. 技术参数:  
上壳材料: 铝合金  
表面处理: 灰色粉末喷涂  
防护等级: IP65(配合)



T1220100220-000	H10B-TG-2M20	H10B HOOD, TOP ENTRY 2M20, 4 EAR, LOW CONSTRUCTION, POWDER COATED, GREY H10B上壳、顶出2M20、4耳、低结构、灰色粉末喷涂	M20	M20
PART NUMBER 零件料号	PART DESCRIPTION 零件描述		PG/M THREAD-1 PG/M 螺纹孔-1	PG/M THREAD-2 PG/M 螺纹孔-2

THIS DRAWING IS A CONTROLLED DOCUMENT.

DIMENSIONS: mm	TOLERANCES UNLESS OTHERWISE SPECIFIED:
	0 PLC ±-
	1 PLC ±-
	2 PLC ±-
	3 PLC ±-
	4 PLC ±-
MATERIAL	ANGLES ±-
-	FINISH ±-
-	-

DWN	19SEP2016
BELL SU	
CHK	19SEP2016
KYLE ZENG	
APVD	19SEP2016
CHRIS WANG	
PRODUCT SPEC	108-137013
APPLICATION SPEC	114-137013
WEIGHT	-
CUSTOMER DRAWING	

		TE Connectivity	
		NAME H10B-TG-2M20	
SIZE	CAGE CODE	DRAWING NO	RESTRICTED TO
A3	00779	C-T12201002XX000	
SCALE		SHEET	REV
1:1		1 OF 1	C1

printed on 17 Jun 2021 10:06 (China Standard Time) from TE343646

A

A