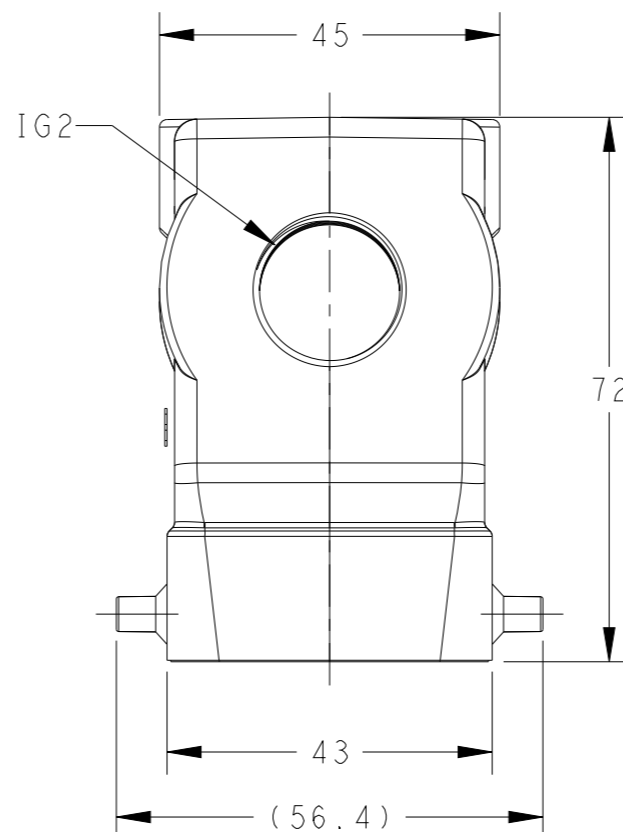
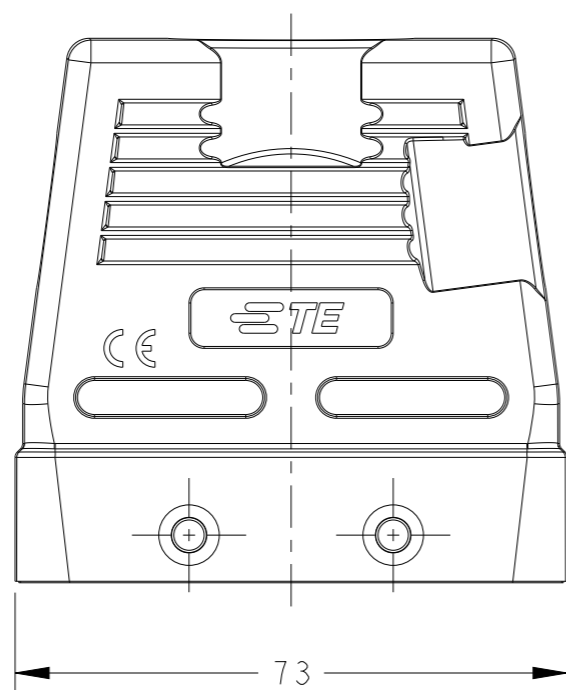
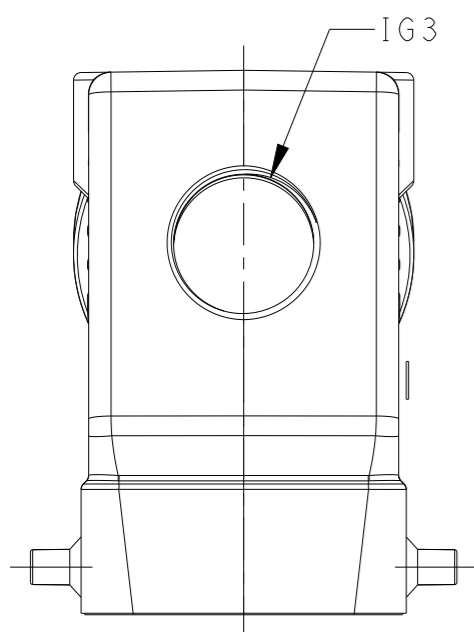


REVISIONS

P	LTR	DESCRIPTION	DATE	DWN	APVD
	A	INITIAL	11JUN2015	DW	CW
	B	ECR-20-008181	24JUN2020	WQR	CW
	B1	ECR-21-103925	27MAY2021	WQR	CW

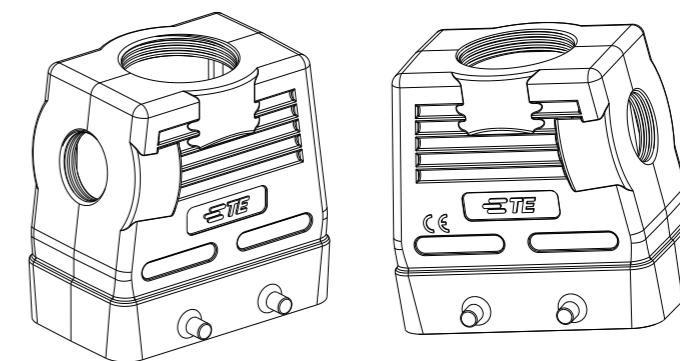


NOTES:

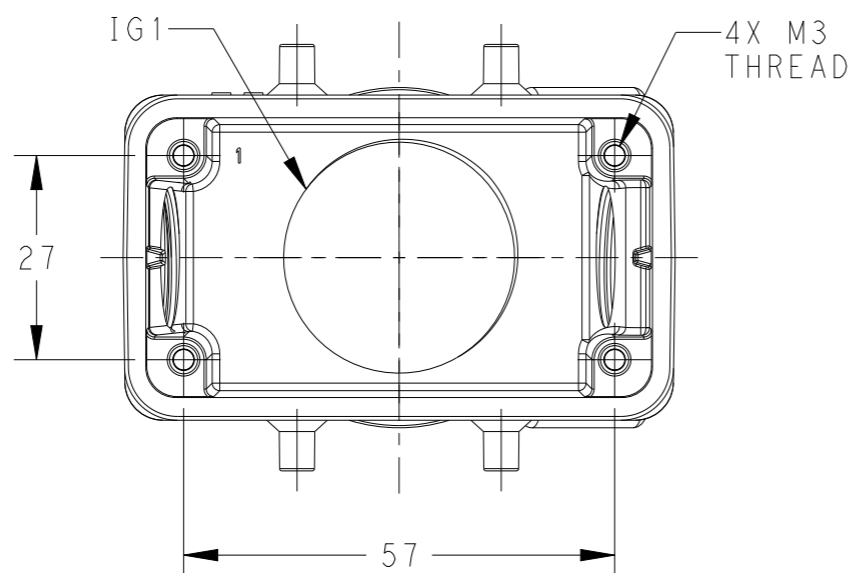
- 1. TECHNICAL CHARACTERISTICS:
HOOD MATERIAL: DIE CAST ALUMINIUM ALLOY
SURFACE: POWDER COATED, GREY
DEGREE OF PROTECTION: IP65 (MATED)

注释:


- 1. 技术参数:
上壳材料: 铝合金
表面处理: 粉末涂层, 灰色
防护等级: IP65(配合)



SCALE 1:2



T1190102032-000	H10B-TGH/TSH-M32/2M20	M32	M20	M20
PART NUMBER	DESCRIPTION	IG1	IG2	IG3

THIS DRAWING IS A CONTROLLED DOCUMENT.		DWN 11JUN2015 David Wang	 TE Connectivity NAME H10B-TGH/TSH-M32/2M20			
DIMENSIONS: mm		CHK 11JUN2015 Chris Wang				PRODUCT SPEC 108-137013
TOLERANCES UNLESS OTHERWISE SPECIFIED:		APVD 11JUN2015 Xiang Xu				APPLICATION SPEC 114-137013
0 PLC ±- 1 PLC ±- 2 PLC ±- 3 PLC ±- 4 PLC ±- ANGLES ±- MATERIAL - FINISH -		WEIGHT -				SIZE A3 CAGE CODE 00779 DRAWING NO. C-T1190102032000 RESTRICTED TO -
		Customer Drawing	SCALE 1:1	SHEET 1 OF 1	REV B1	