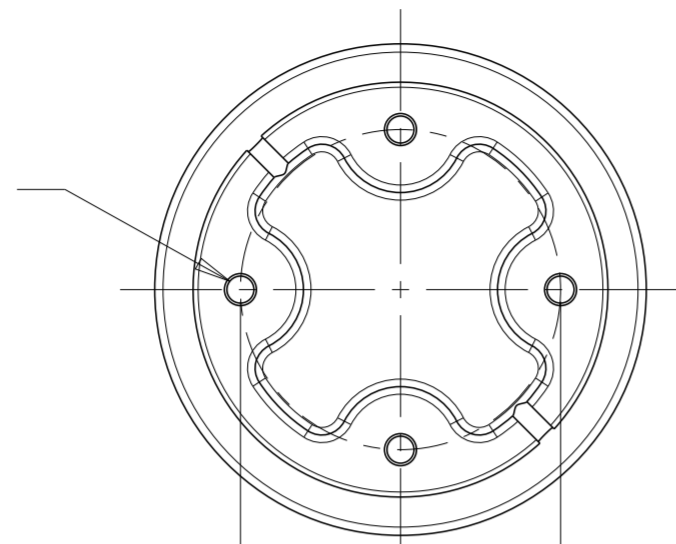


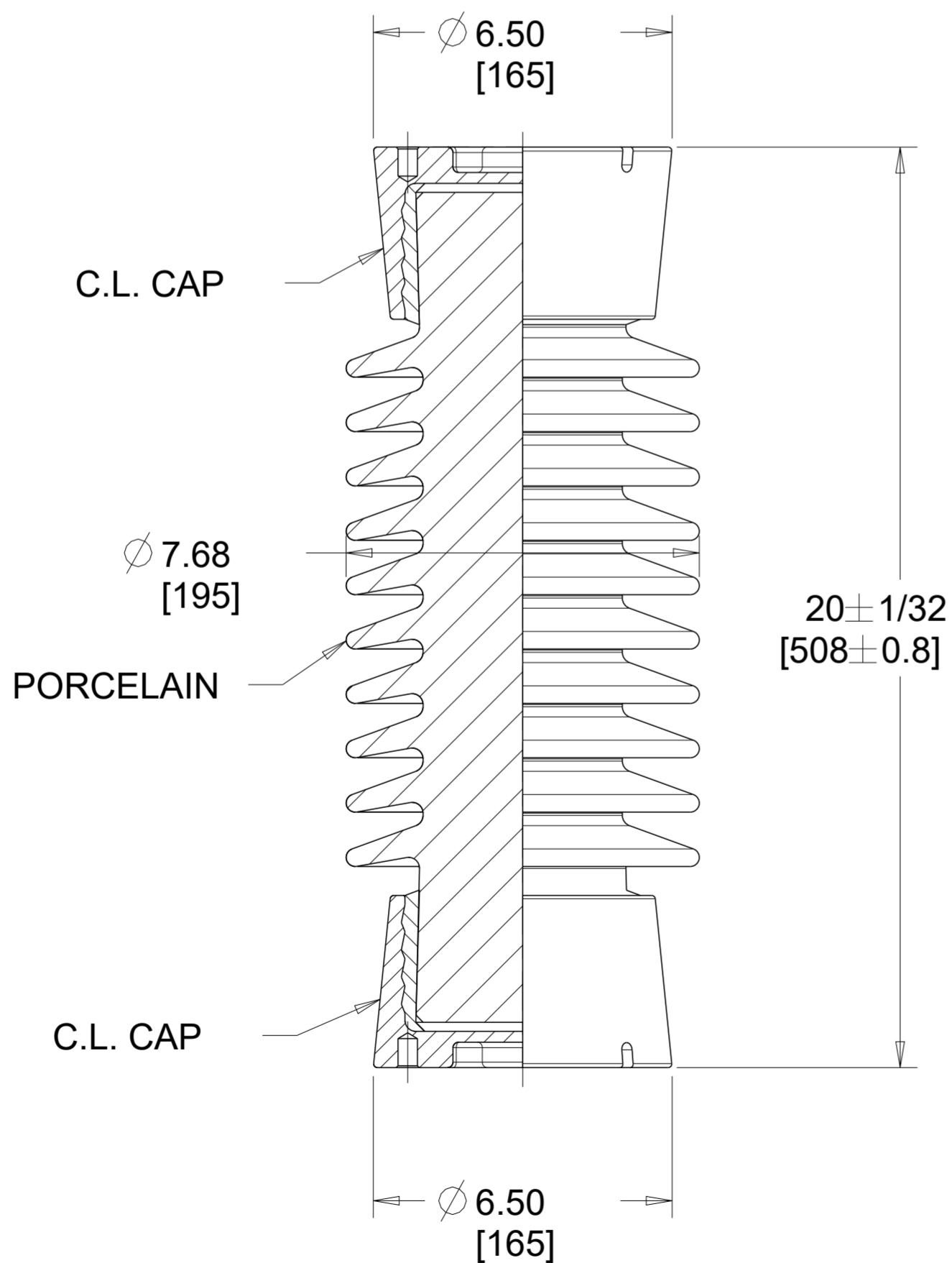
THIS DRAWING IS UNPUBLISHED. RELEASED FOR PUBLICATION  
 © COPYRIGHT copyright\_date BY - ALL RIGHTS RESERVED.

REVISIONS					
P	LTR	DESCRIPTION	DATE	DWN	APVD
5		UPDATE THE MARKING	-	YQ	GREG
6		UPDATE THE MARKING	-	YQ	GREG
7		CHANGE THE DESCRIPTION	-	WLY	HENRY
8		REDRAWN IN CREO	12OCT2018	RS	KP

5/8"-11 UNC TAPPED HOLE  
 0.015" OVERSIZE  
 FULLY THREAD 0.78"(20)  
 DEEP EQUI-SPACED, 4PL.



5 PCD  
 [127]



Notes:

1. All ferrous parts hot-dip galvanized to ASTM A153
2. Additional mark on porcelain: Batch traceability number
3. Reference standard ANSI C29.9
4. Mark on porcelain:

**STE**  
 TR 231  
 Month Year

**Mechanical Properties**

Units	English	Metric
Tensile Strength	25,000 lb	111.2 kN
Compression Strength	30,000 lb	133.4 kN
Torsional Strength	20,000 in-lb	2260 N-m
Cantilever Strength	4000 lb	17.8 kN

**Electrical Properties**

Impulse Withstand Voltage	200 kV
Wet p.f. Frequency Withstand	80 kV
Critical Impulse Flashover Voltage, Positive	225 kV
Radio-Influence Voltage	
Test Voltage to Ground	22 kV
Max RIV at 1000kHz	100 μV

**Physical Properties**

Units	English	Metric
Nominal Creepage Distance	37 in	940 mm
Approx Weight	66.7 lb	30 Kg
Colour	Grey	

TE P/N: A63960-000

THIS DRAWING IS A CONTROLLED DOCUMENT.		DWN RAVI.S 12OCT2018	<b>STE</b> TE Connectivity		
DIMENSIONS: inch (mm)		CHK K.PUSTHAY 12OCT2018			
TOLERANCES UNLESS OTHERWISE SPECIFIED:		APVD K.PUSTHAY 12OCT2018	NAME PORCELAIN STATION POST INSULATOR, TR 231		
0 PLC ±		PRODUCT SPEC	SIZE	CAGE CODE	DRAWING NO
1 PLC ±		APPLICATION SPEC	A2	00779	SP-TR231PG
2 PLC ±			RESTRICTED TO		
3 PLC ±		WEIGHT	-		
4 PLC ±			-		
ANGLES ±		CUSTOMER DRAWING	SCALE	NTS	SHEET 1 OF 1
FINISH					REV 8