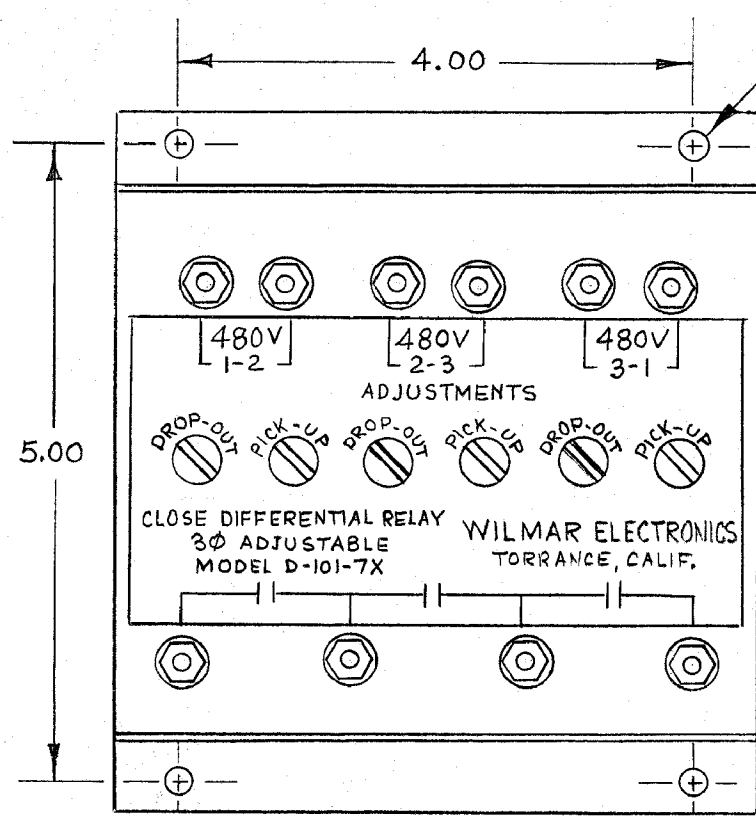
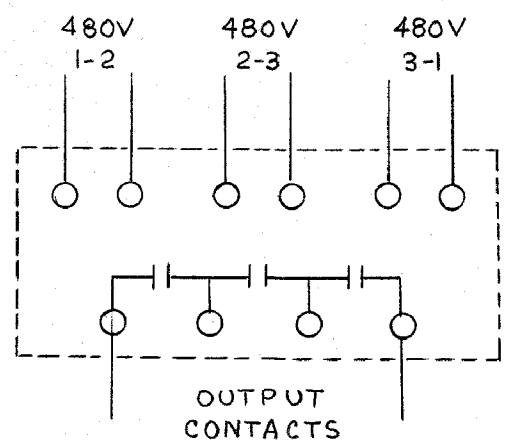


REVISIONS				
ZONE	LTR	DESCRIPTION	DATE	APPROVED

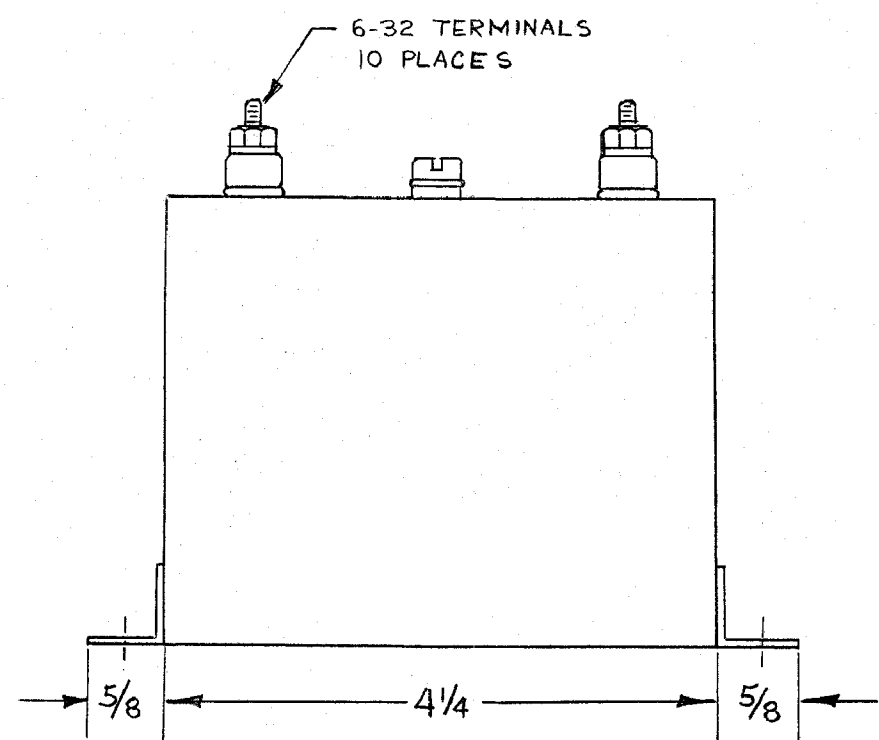
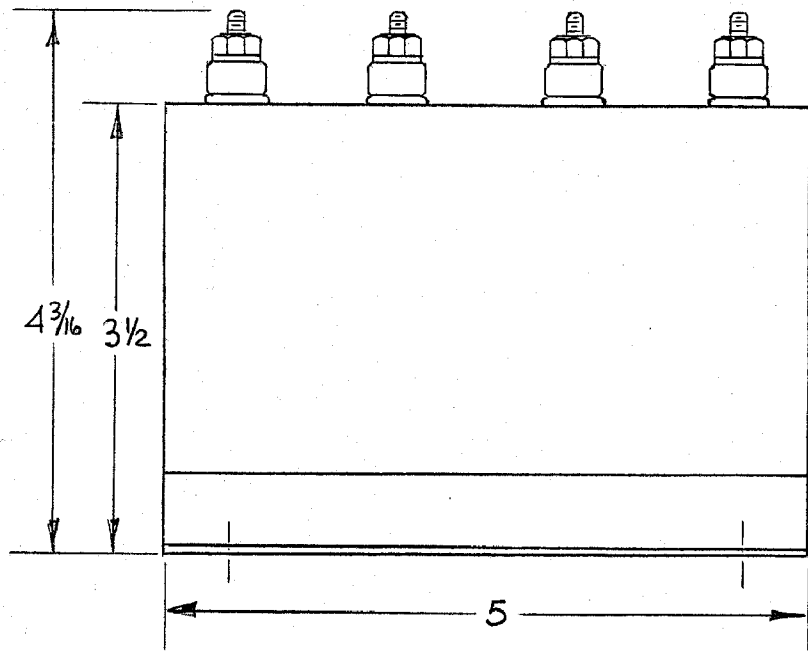


CONNECTIONS



SPECIFICATIONS

NOMINAL VOLTAGE : 480VAC, 3φ, 3WIRE, 50/60 Hz.
 PICK-UP ADJUST RANGE : 320-480 VOLTS
 DROP-OUT ADJUST RANGE : 320-480 VOLTS
 MAX. DIFFERENTIAL SETTING : 160 VOLTS
 MIN. DIFFERENTIAL SETTING : 8 VOLTS
 OUTPUT CONTACTS : 5AMP, RESISTIVE AT 120VAC OR 28VDC
 CONSTRUCTION : SOLID STATE SENSOR WITH RELAY
 OUTPUT ENCLOSED IN A SEALED STEEL CAN.



NOTES: 1. REMOVE SCREWS FOR ACCESS TO PICK-UP AND DROP-OUT ADJUSTMENTS.
 2. CLOCKWISE ROTATION OF THE ADJUSTING POTENTIOMETER WILL RAISE THE TRIP POINT. (USE SCREWDRIVER FOR ADJUSTMENT).

UNLESS OTHERWISE SPECIFIED DIMENSIONS ARE IN INCHES	
TOLERANCES ON FRACTIONS DECIMALS ANGLES	
± 1/32	± .010 ± 1/2°
BREAK ALL SHARP EDGES .015 MAX. AND DEBURR	
MATERIAL:	
NEXT ASSY	USED ON
APPLICATION	

QTY REQD	SYM	DESCRIPTION	CODE IDENT NO.	PART NO.	SPEC	MATERIAL OR NOTE	ITEM NO.
LIST OF MATERIAL							
CONTRACT NO.							
DRAWN	E.R.H.	9-20-73	TITLE				
CHECKED	Z.C.	9/20/73	CLOSE DIFFERENTIAL RELAY 3 PHASE ADJUSTABLE - 480VAC				
DESIGN APPROVAL		MODEL D101-7X					
PROJECT APPROVAL							
DESIGN ACTIVITY APPROVAL		SIZE	CODE IDENT NO.	DWG NO.			
APPROVAL		C	25248	21-224			
		SCALE	1:1	WEIGHT	SHEET		

Tyco Electronics
Kilovac Division

SD- D101-7X Rev A

CUSTOMER DRAWING