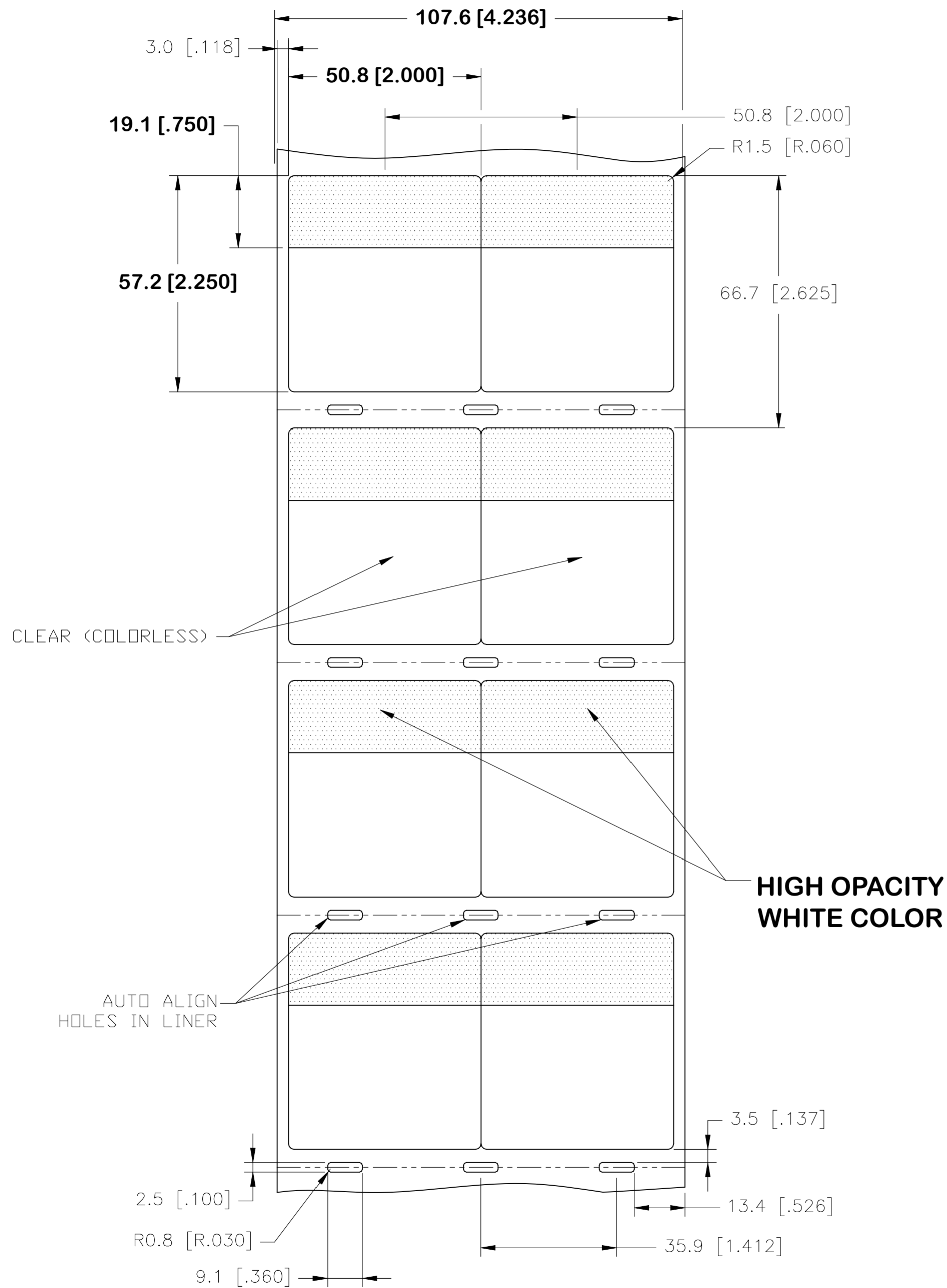
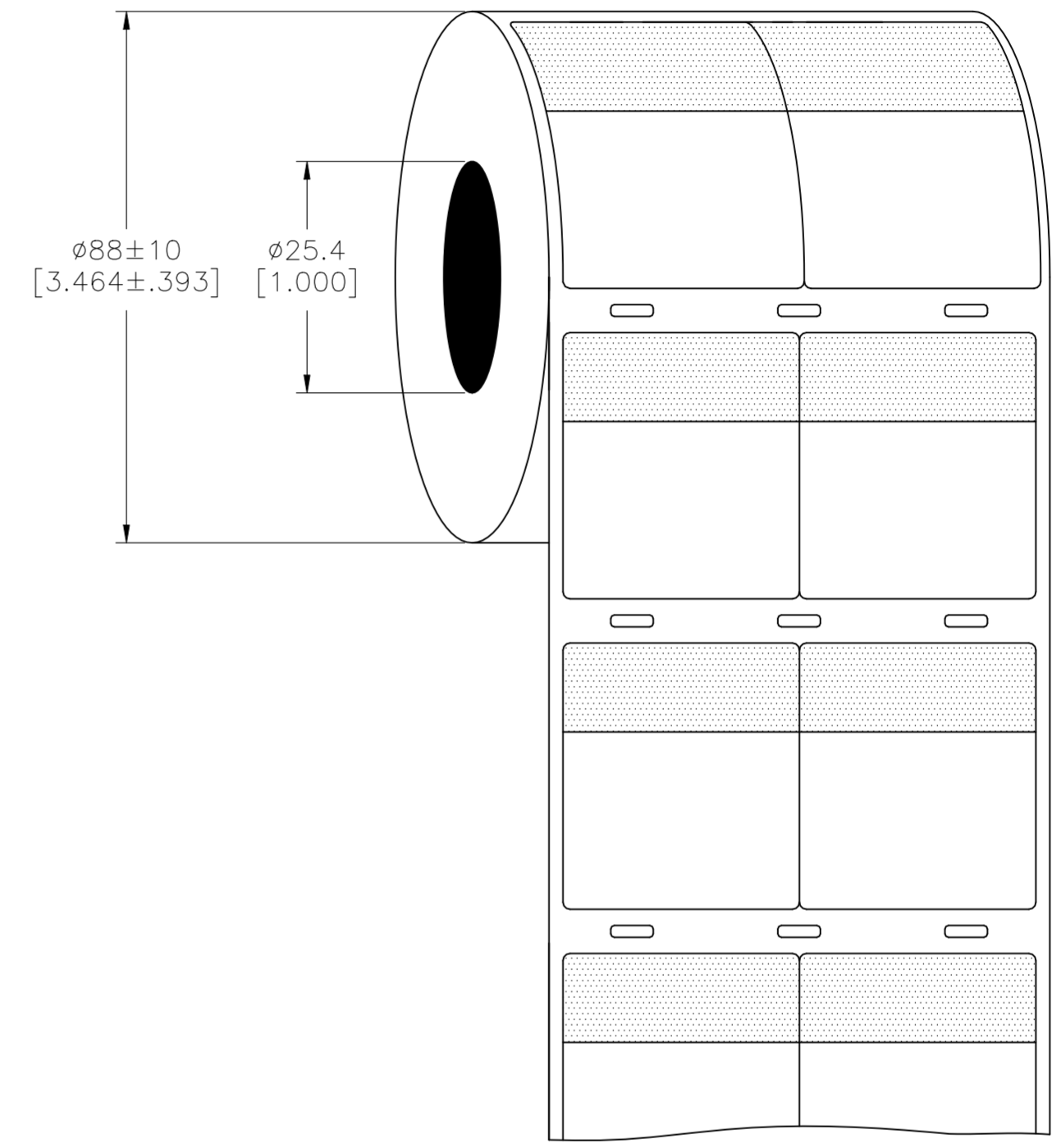


### LABEL AND LINER DESIGN



REVISIONS					
P	LTR	DESCRIPTION	DATE	DWN	APVD
F1		UL LABEL CHANGE	05JUL2024	GSK	DB

### PRESENTATION



All dimensions in mm [Inch]

TE PN: CT79703001

UL-MARKING AND LABELLING SYSTEMS	
PGCT2 - Flag Labels, Flag Tags, Wrap-around Labels & Related Products - Component	
PGCT8 - Flag Labels, Flag Tags, Wrap-around Labels & Related Products Certified for Canada - Component	
File: MH65661	Model N°: <b>SBP</b>

TOLERANCES mm [INCH]	
LABEL HEIGHT:	$\pm 0.3$ [.012]
LABEL WIDTH:	$\pm 0.3$ [.012]
WEB WIDTH:	$\pm 0.8$ [.031]
VERTICAL REPEAT:	$\pm 0.8$ [.031]*
HORIZONTAL REPEAT:	$\pm 0.8$ [.031]*
PRINT POSITIONING:	$\pm 0.8$ [.031]*
LEFT MARGIN:	$\pm 0.4$ [.016]
QUANTITY:	-0 % +2 %
*NON ACCUMULATING	

MATERIAL		CLEAR VINYL	
ADHESIVE TYPE		ACRYLIC PERMANENT	
LINEAR		WHITE KRAFT	
DWN	15JUL2017	GOPALAKRISHNA HV	
CHK	15JUL2017	D.BURGAT	
APVD	15JUL2017	D.BURGAT	
PRODUCT SPEC	TTDS-211	NAME	
APPLICATION SPEC		SBP LABEL - WHITE - T200 PRINTER	
		50.8 x 57.2mm [2.00 x 2.25inch]	
WEIGHT	0.404g	SIZE	A2
CUSTOMER DRAWING		CAGE CODE	00779
		DRAWING NO	C=SBP200225WE1-T200
		RESTRICTED TO	-
		SCALE	NTS
		SHEET	1 of 1
		REV	F1