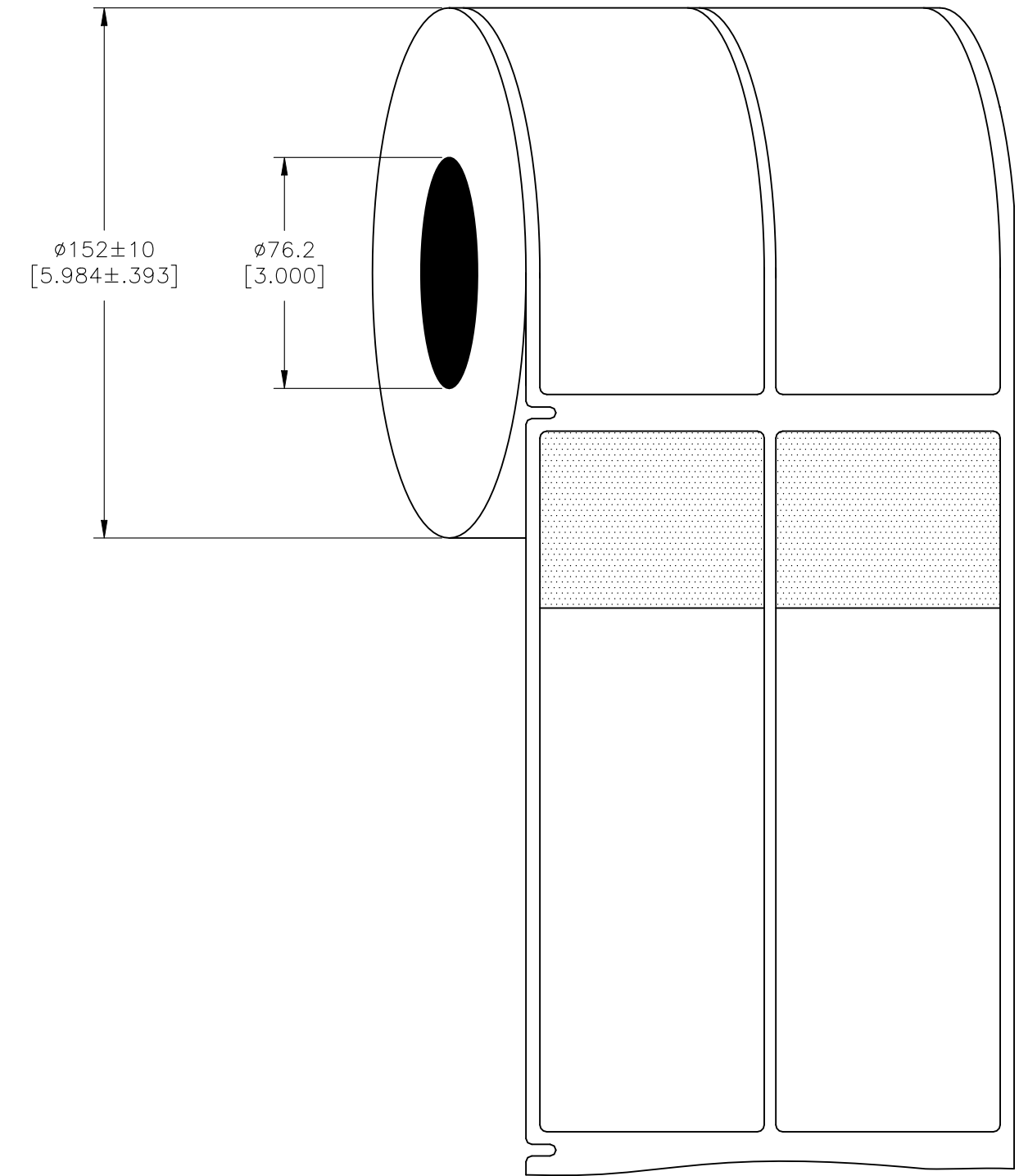
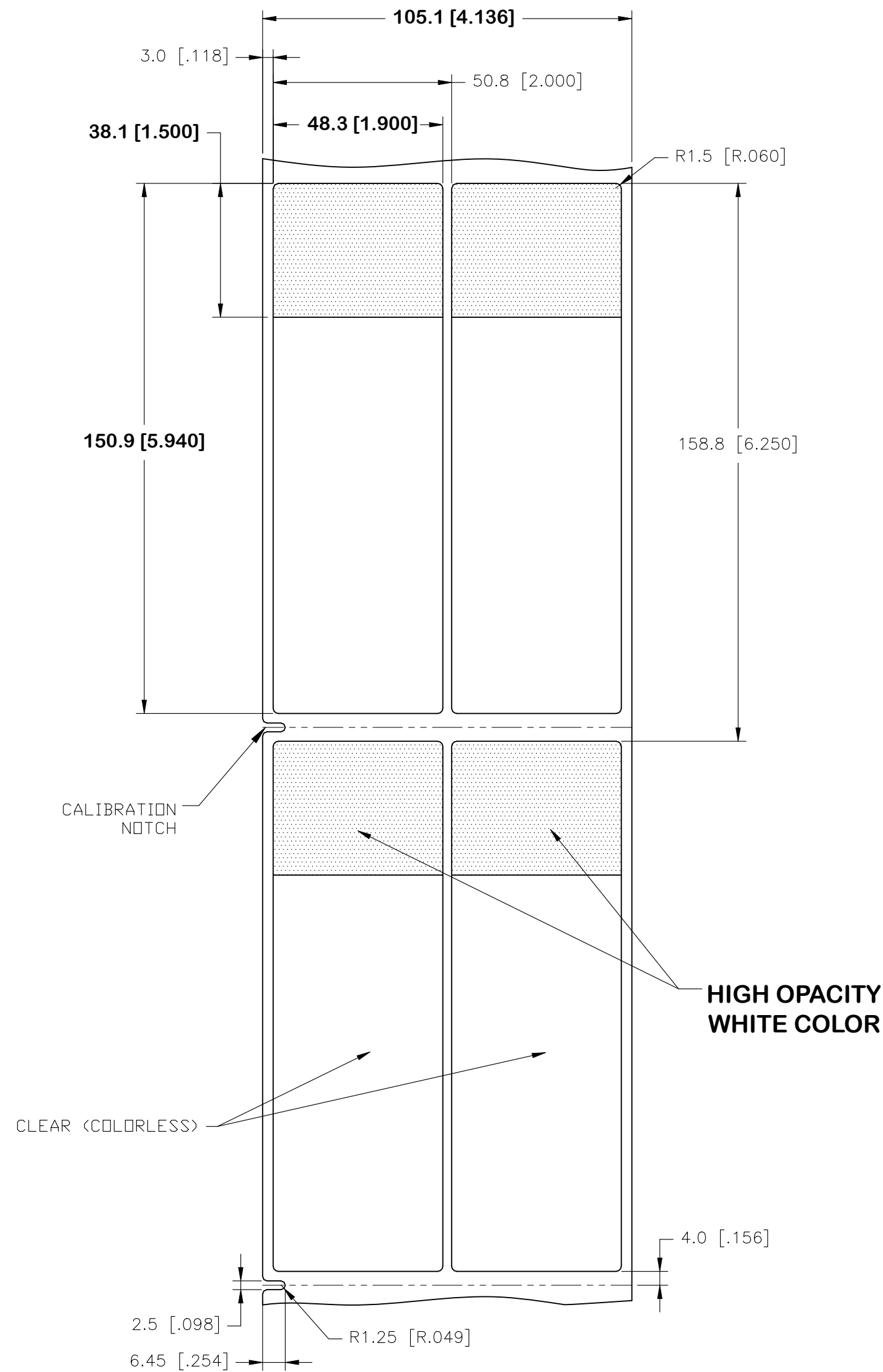


P	LTR	DESCRIPTION	DATE	DWN	APVD
F1		UL LABEL CHANGE	04JUL2024	GSK	DB

**LABEL AND LINER DESIGN**

**PRESENTATION**



**OUTSIDE WOUND LABEL ACROSS: 2 PER ROLL QTY: 1000**

All dimensions in mm [Inch]

**TE PN: CN9931-000**

<b>UL-MARKING AND LABELLING SYSTEMS</b>	
PGCT2 - Flag Labels, Flag Tags, Wrap-around Labels & Related Products - Component	
PGCT8 - Flag Labels, Flag Tags, Wrap-around Labels & Related Products Certified for Canada - Component	
File: MH65661	Model N°: <b>SBP</b>

TOLERANCES mm [INCH]	
LABEL HEIGHT:	±0.3 [.012]
LABEL WIDTH:	±0.3 [.012]
WEB WIDTH:	±0.8 [.031]
VERTICAL REPEAT:	±0.8 [.031]*
HORIZONTAL REPEAT:	±0.8 [.031]*
PRINT POSITIONING:	±0.8 [.031]*
LEFT MARGIN:	±0.4 [.016]
QUANTITY:	-0 % +2 %
*NON ACCUMULATING	

THIS DRAWING IS A CONTROLLED DOCUMENT.		DWN 22MAR2017 GOPALAKRISHNA HV		TE Connectivity	
DIMENSIONS: mm [INCHES]		CHK 22MAR2017 D.BURGAT		NAME SBP LABEL - WHITE	
TOLERANCES UNLESS OTHERWISE SPECIFIED:		APVD 22MAR2017 D.BURGAT		PRODUCT SPEC TIDS-211	
0 PLC ±		APPLICATION SPEC		SIZE A2	
1 PLC ±		WEIGHT 1.013g		CAGE CODE 00779	
2 PLC ±		CUSTOMER DRAWING		DRAWING NO C=SBP190594WE1	
3 PLC ±		SCALE NTS		SHEET 1 of 1	
4 PLC ±		FINISH GLOSSY		REV F1	
ANGLES ±		MATERIAL SEE TABLE		RESTRICTED TO	