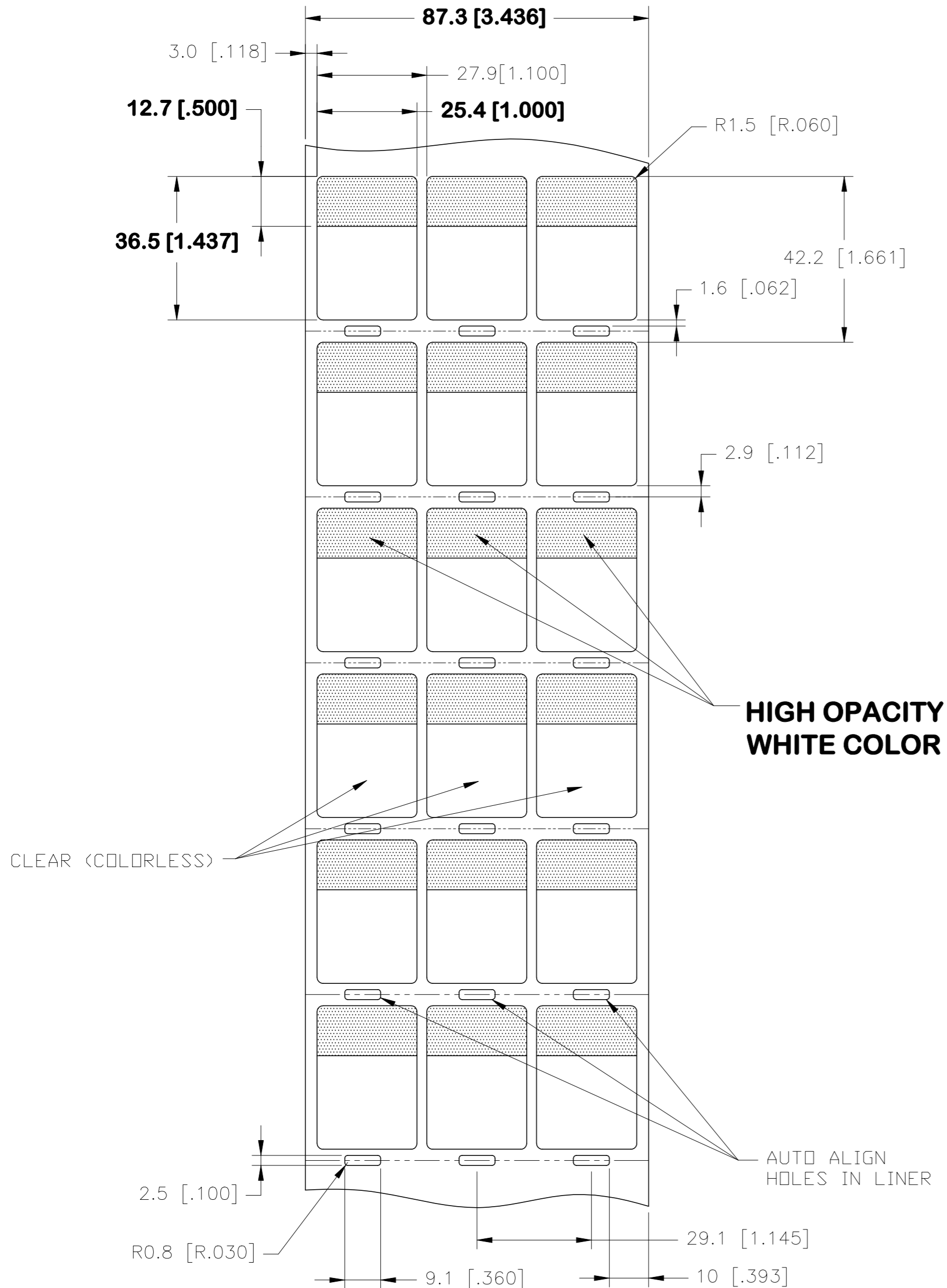
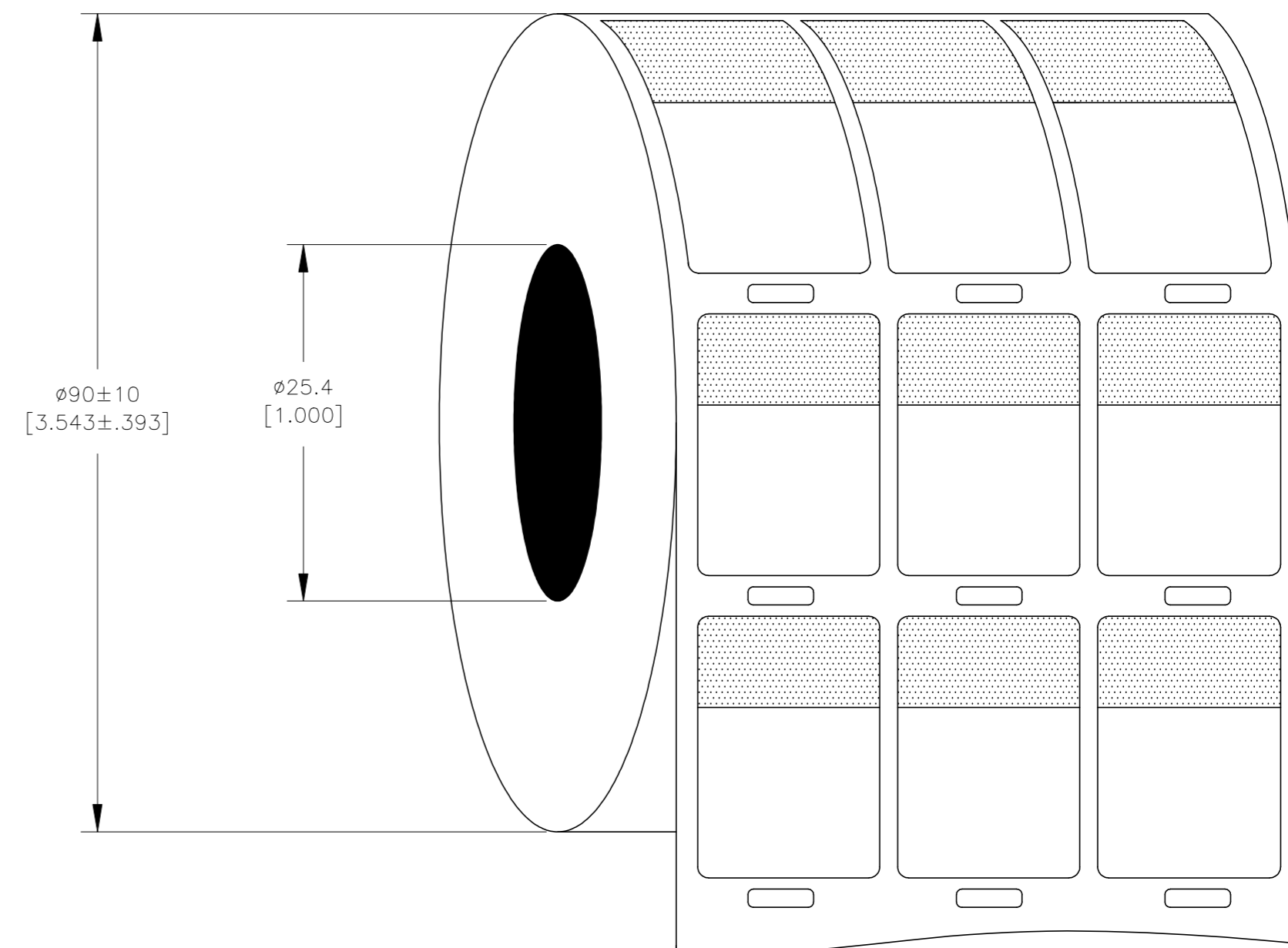


REVISIONS					
P	LTR	DESCRIPTION	DATE	DWN	APVD
	F1	UL LABEL CHANGE	04JUL2024	GSK	DB

### LABEL AND LINER DESIGN



### PRESENTATION



**OUTSIDE WOUND LABEL ACROSS: 3**  
**PER ROLL QTY: 2,500**

All dimensions in mm [Inch]

**TE PN: CN2899-000**

UL-MARKING AND LABELLING SYSTEMS	
PGCT2 - Flag Labels, Flag Tags, Wrap-around Labels & Related Products - Component	
PGCT8 - Flag Labels, Flag Tags, Wrap-around Labels & Related Products Certified for Canada - Component	
File: MH65661	Model N°: SBP

TOLERANCES mm [INCH]	
LABEL HEIGHT:	±0.3 [.012]
LABEL WIDTH:	±0.3 [.012]
WEB WIDTH:	±0.8 [.031]
VERTICAL REPEAT:	±0.8 [.031]*
HORIZONTAL REPEAT:	±0.8 [.031]*
PRINT POSITIONING:	±0.8 [.031]*
LEFT MARGIN:	±0.4 [.016]
QUANTITY:	-0 % +2 %
*NON ACCUMULATING	

THIS DRAWING IS A CONTROLLED DOCUMENT.	
DIMENSIONS: mm [INCHES]	TOLERANCES UNLESS OTHERWISE SPECIFIED:
	0 PLC ±
	1 PLC ±
	2 PLC ±
	3 PLC ±
	4 PLC ±
	ANGLES ±
MATERIAL SEE TABLE	FINISH GLOSSY

MATERIAL CLEAR VINYL		ADHESIVE TYPE ACRYLIC PERMANENT		LINEAR WHITE KRAFT	
DWN GOPALAKRISHNA HV		CHK D.BURGAT		APVD D.BURGAT	
NAME SBP LABEL-WHITE-T200 PRINTER		SIZE A2		CAGE CODE 00779	
PRODUCT SPEC TTDS-211		DRAWING NO SBP100143WE2.5-T200		RESTRICTED TO	
APPLICATION SPEC		SCALE NTS		SHEET 1 of 1	
WEIGHT 0.129 g		CUSTOMER DRAWING		REV F1	